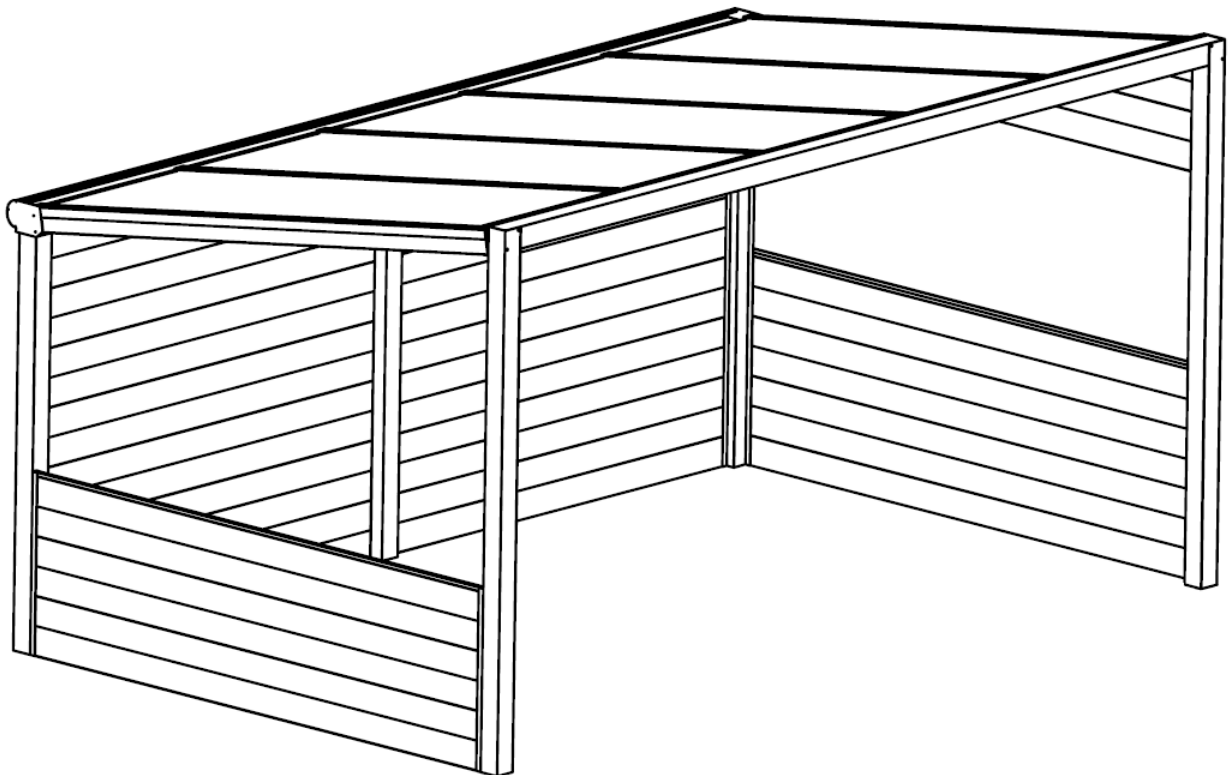
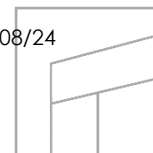


User manual / Assembly instructions Deponti Veranda

Type Ribolla

Version: EN – August 2023



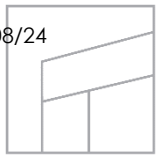


Contents

1. Introduction	3
2. Safety precautions and warnings	3
3. Product description	5
4. Parts overview	6
4.1 Exploded view Bosco veranda	6
4.2 Exploded view of additional components Ribolla veranda	7
4.2 Delivery inspection	7
4.3 Parts list	8
5. Preparation for assembly	11
5.1 Conditions for assembly	11
5.2 Inspection of tools and accessories	13
5.3 Measuring & determining dimensions	14
5.4 Joining verandas	16
6. Assembly	18
6.1 Positioning and placements of the posts	18
6.2 Grillo fencing	23
6.3 Mounting the wall profile	30
6.4 Pre-installing the gutter	31
6.5 Installing the middle beams	36
6.6 Preparing and installing the roofing sheets	39
6.7 Finishing	40
7. Maintenance	47
8. Disposal of waste	47
9. Warranty conditions	47
10. Contact	47

KEEP THIS MANUAL IN A SAFE PLACE FOR FUTURE USE!

For the duration and the terms and conditions of the warranty we recommend that you contact your Deponti partner. We also refer you to our General Terms and Conditions of Sale and Delivery which are available on request. Deponti B.V. accepts no liability for any damage or injury resulting from a failure to carefully follow the instructions in this manual or exercise due caution during transport, assembly, use and maintenance of the veranda. As a result of our policy of continuous product improvement, certain product details may differ from what is described in this manual. For this reason the instructions provided only serve as a guideline for installation of the product this manual describes. This manual has been compiled with the utmost care, but Deponti B.V. cannot be held responsible for any errors in this manual or the consequences thereof. Furthermore, all rights are reserved and no part of this manual may be reproduced in any way whatsoever.



1. Introduction

Congratulations on the purchase of your Deponti Veranda!

Before you can start enjoying your Veranda it must be assembled properly. This manual provides clear instructions for all the steps you must complete for correct assembly of your Deponti Veranda. We recommend that you take the time to read the entire manual before you begin assembly. Check whether you have received all the necessary parts before you begin assembly. For your safety, follow all the applicable instructions. This also guarantees the safety of the installed roof. If you should have any questions, please feel free to contact your Deponti partner.



READ
CAREFULLY

This manual should be kept in a safe, dry and shady place. In the event of damage or loss, the user must request a new copy of the manual from the Deponti partner.

2. Safety precautions and warnings

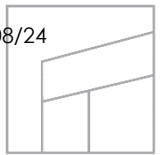
Important:



Please read the safety precautions and warnings before assembling the veranda.

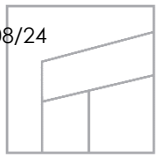
- During assembly, carefully follow the instructions and guidelines as described in this manual. Never change the order of the steps to be performed. If any aspect of the assembly procedure is unclear, please contact your Deponti partner. We reserve the right to make technical changes without written notice.
- We normally recommend that the veranda must be assembled by at least two people (qualified technicians/authorized installers) working together.
- Check the delivery immediately upon receipt. In the event of damage or an incomplete delivery please contact your Deponti partner immediately.
- The materials must be stored in a dry, ventilated area, not exposed to direct sunlight.
- Open the packaging carefully. Make sure that you do not damage the product.
- To prevent damage to your veranda, place the parts on a smooth, clean surface. Place the profiles on a flat surface, protected from sun and rain.





2. Safety precautions and warnings (continued)

- Adding or removing parts, the use or installation of materials. other than described in this manual, may adversely affect the safety of the veranda and is therefore strongly discouraged!
- Cordon off the assembly location so that others are kept at a safe distance.
- Always place a ladder on a firm, stable surface.
- Always wear the correct protective clothing (work gloves, dust mask, safety glasses, shoes with non-slip soles, etc.) during installation or servicing.
- Mount the system against a firm, flat wall and on a flat and stable foundation. Ensure that the wall and the ground are clean and dry.
- **Never** stand on the polycarbonate sheets.
The polycarbonate sheets are strong, but insufficiently resistant to point loads. Do not walk on them!
- Make sure all fasteners are properly tightened. Check this regularly.
- Make sure you have used sealant on the veranda so it is completely waterproof.
- You must maintain and clean your veranda at least once a year. During this yearly maintenance make sure all fasteners are properly tightened.
- Dispose the product in accordance with local laws and regulations.
- When safety regulations and instructions are not followed correctly, Deponti B.V. will not accept any responsibility for damage(s) and injuries.



3. Product description

The aluminium veranda type Ribolla is composed of posts, gutter profile, wall profile, beams, polycarbonate roofing sheets, cover strips and the necessary assembly materials. As standard, you have the choice between a round or classic decorative gutter and half-round or square posts.

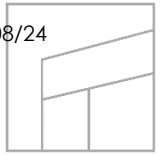
The Deponti Ribolla veranda is available as standard in widths of 4060, 5060, 6060 or 7060 as a single section; there is no limit to the number of sections that can be joined end to end. The roof can have a projection of 2500, 3000, 3500 or 4000 mm.

Details

Colours	RAL7024 or RAL9005
Gutter	Round or classic
Posts	Square
Roof covering	Polycarbonate (Opal/Clear/Ultra-clear/Solar control)
Width (mm)	4060/5060/6060/7060 or a multiple thereof.
Projection (mm)	2500/3000/3500/4000

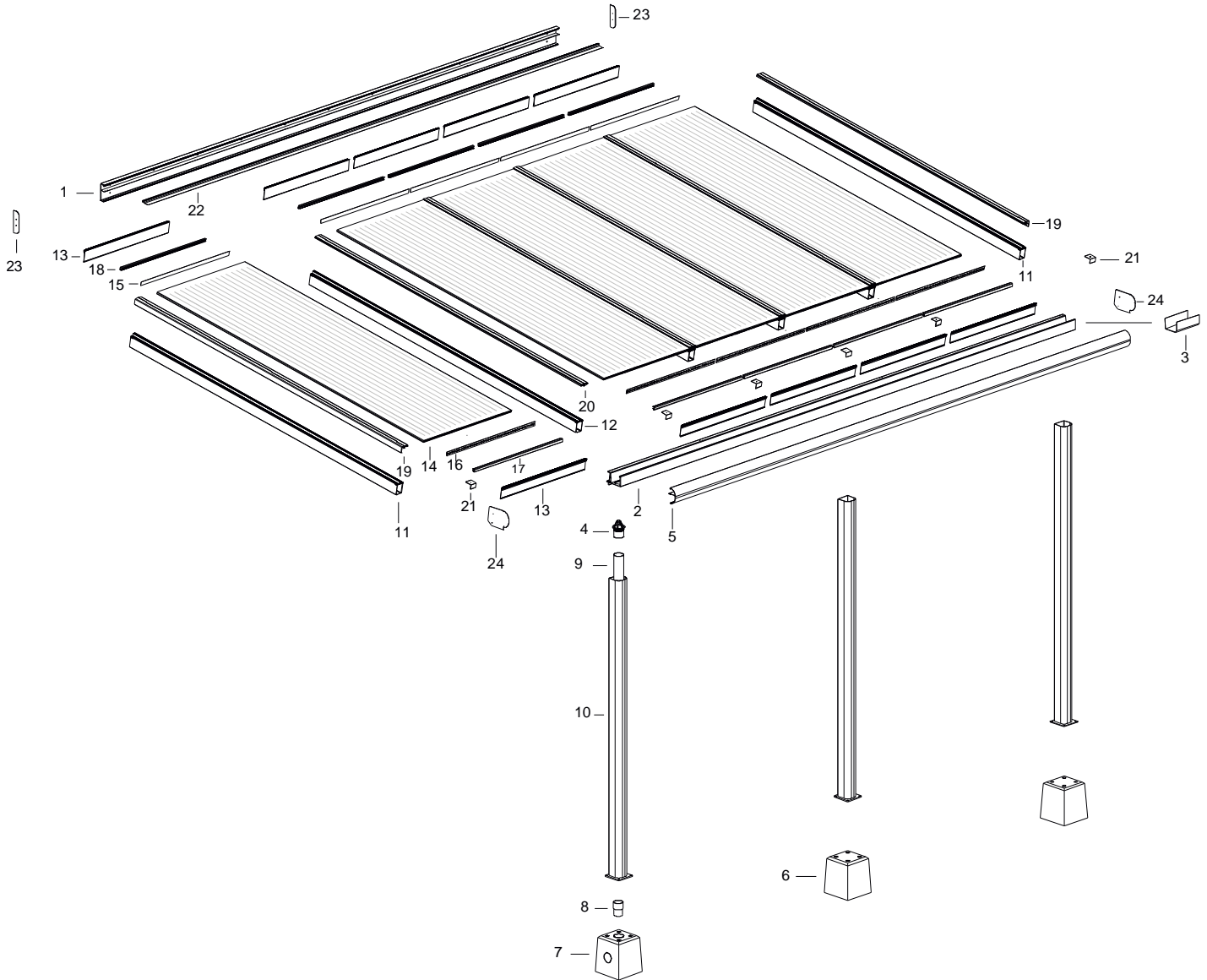
A Deponti veranda can be installed on any existing foundation or stone surface if it complies. For added strength or when there is no good foundation present, a concrete base can be used. These concrete bases can be easily installed out of sight under the posts with the supplied bolts.

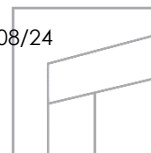
The concrete bases are available with or without a rainwater discharge opening.



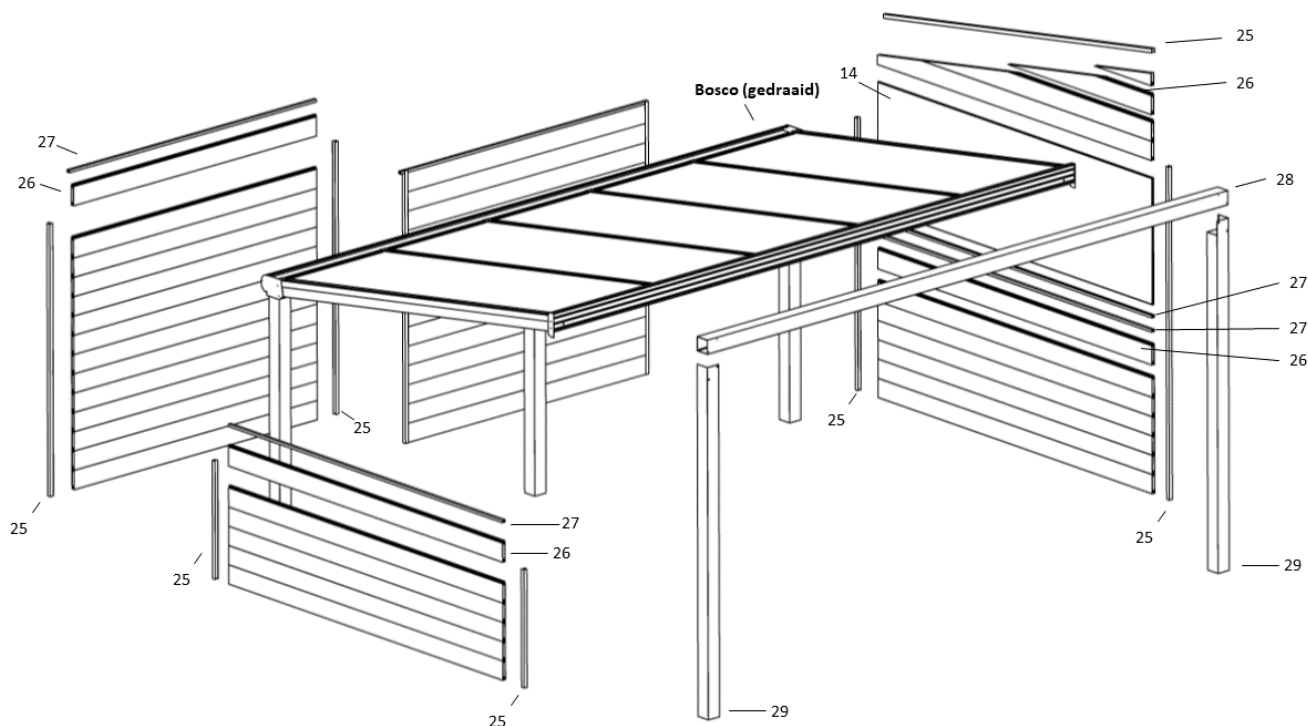
4. Parts Overview

4.1 Exploded view Bosco veranda





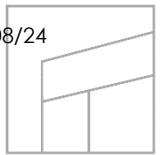
4.2 Exploded view of additional components Ribolla veranda



4.3 Delivery Inspection

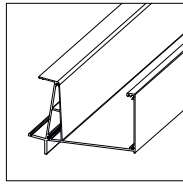
The veranda shown in this manual is a 5x3 metre Ribolla with the posts on concrete bases. This merely serves as an example. The type and number of components supplied depends on your order.

Note: Always carefully check the delivered items against the accompanying delivery note to ensure that the quantity and quality are correct. Any visible defects must be reported in writing within 7 days of delivery.

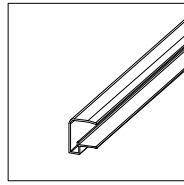


4.3 Parts list

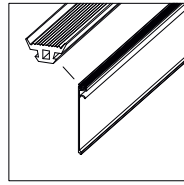
The following overview shows which parts are packed together. Carefully check the individual packaging units against the order form for quantity and quality.



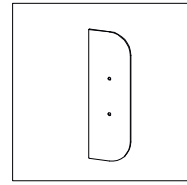
02. Gutter



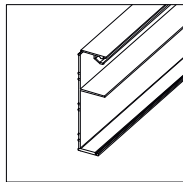
17. Condensation profile long
18. Condensation profile short



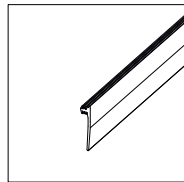
13. Trim click strip



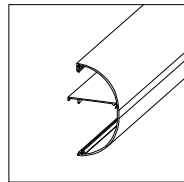
23. Side cover wall profile



01. Wall profile

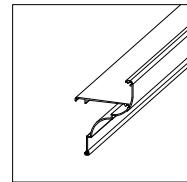


22. Wall profile rubber

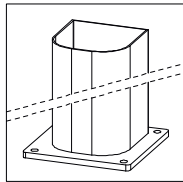


05. Round decorative profile

or

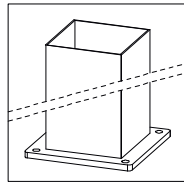


05A. Classic decorative profile

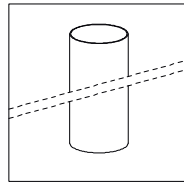


10. Post round with or without base

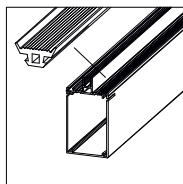
or



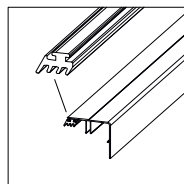
10A. Post square with or without base



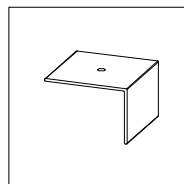
09. Rainwater discharge pipe
pipe \varnothing 80 mm



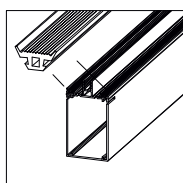
11. Side beam
1x sealing rubber



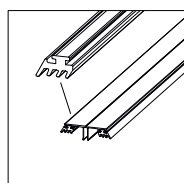
19. End cover strip
1x sealing rubber



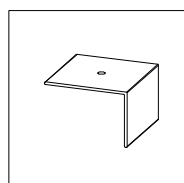
21. Sheet stopper



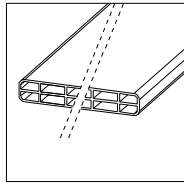
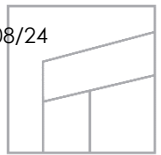
12. in between beam
2x sealing rubber



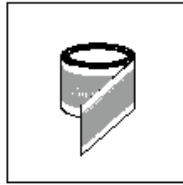
20. Top cover strip
2x sealing rubber



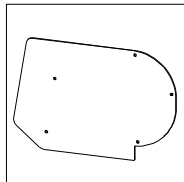
21. Sheet stopper



14. Polycarbonate sheet 980 mm

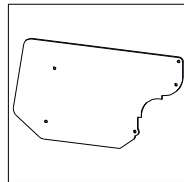


16. Anti-dust tape (Perforated)

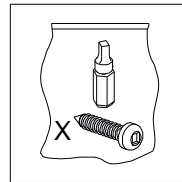


24. Side cover gutter profile

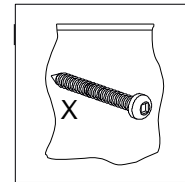
or



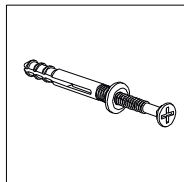
24A. Side cover gutter profile Classic



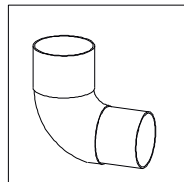
1x bag of screws short 4.2x16 + bit



1x bag of screws long 4.2x40

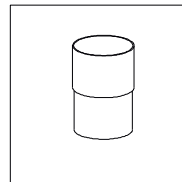


1x set frame fixing screws

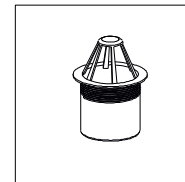


08. 90° rainwater discharge sleeve

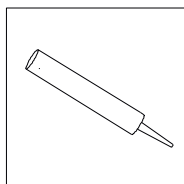
or



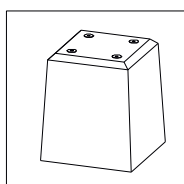
08A. Rainwater discharge sleeve (Option)



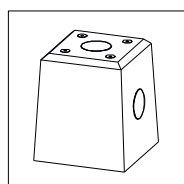
04. Leaf catcher



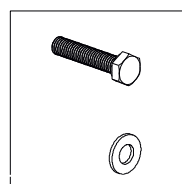
1x coloured sealant



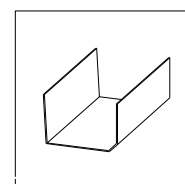
06. Concrete base (Option)



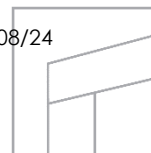
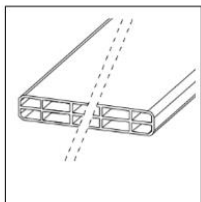
07. Concrete base with rainwater discharge (Option)



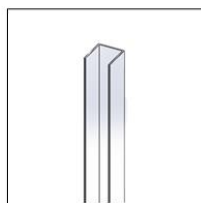
Hex bolt M8x40 Washer



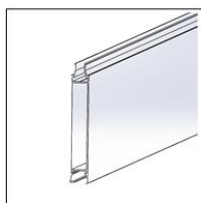
03. Gutter extension (Option)

**additional components Ribolla veranda (Exploded-view 4.2)**

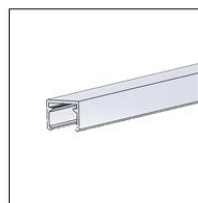
14. Polycarbonaat Plaat
980mm (optioneel)



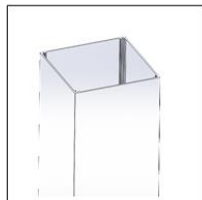
25. Grillo U profiel



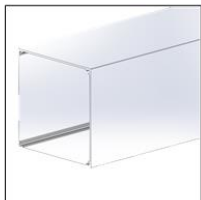
26. Grillo schutting
profiel



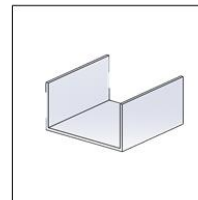
27. Grillo afdekljst
profiel



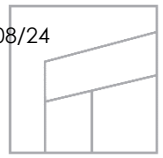
29. Staander zonder
voetplaat



28. 110x110 koker



29. U montage beugel
(OPTIE)



5. Preparation for assembly

5.1 Conditions for assembly

- **Note:** The optimal processing temperature for the sealant is +5 °C to +40 °C.

Ground & façade

- A good flat stable surface is required for construction of the veranda.
- The location where the roof will be placed must be construction-ready and free of obstacles (garden furniture, flower boxes, etc.) so installers can perform their work without hindrance.
- Any obstacles, including utility lines (such as power cables, etc.), roots and debris, must have been removed from the ground.
- The façade must be free of sun shades, etc.
- The place where the wall profile will be placed must be firm, even and flat.

Dimensions & slope

- This Deponti roof should be installed with a slope of 15,7cm per metre. The height of the wall profile and the passage height (distance from bottom of gutter to the ground) are completely dependent on each other and determined by this slope.
- The maximum length of the roof is 4 metres. However, keep in mind the requirements concerning the maximum free span and number of posts.

Posts & joined verandas

- Maximum distance between the posts is 4 metres.
- When verandas are joined, a post is always placed under the coupling.
- The rainwater discharge cannot be placed inside a post above which gutters are joined.

Attachments at walls

- Due to expansion of the materials, the veranda may not be placed tightly between two walls; there must be a gap of 1.5 mm per metre of width of the veranda.
- When concrete bases are used the posts cannot be placed against the wall, because the block is wider than the post.
- If you want to place a post against a wall, you must saw the flange off of one side and drill two new holes in the flange so that you can secure the post in four places.

Screws and drilling

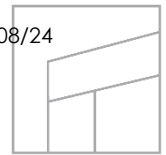
- Deponti supplies special 4.2x19 mm and 4.2x40 mm stainless steel screws with the veranda.

Note: Pre-drill a hole for each screw with a 3 mm drill bit!

If you continue to turn them after they are tight, the screw head may break off. It is recommended that you screw carefully, with the torque limiter on your drill set properly.



- **Note:** Never drill and screw through the PVC rainwater discharge pipe in one of the posts.



5.1 Conditions for assembly (continued)

Sealant

- Deponti supplies sealant in the colours RAL9001, RAL9016 and RAL7024. This supplied sealant has been specially selected for the waterproof sealing of aluminium to aluminium or to most common construction materials, such as walls, concrete, etc. Follow the instructions on the tube.



- **Note:** This sealant is not suitable for sealing the polycarbonate sheets. If you need to seal your sheets, because you have a rainwater discharge (downspout) pipe run through it for example, we have special transparent sealant in our range.

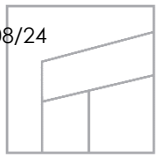
Rubber seals

- A Deponti veranda is standard equipped with pre-assembled, colour-matched rubber seals. Before installation, the rubber seals for both the aluminium cover strips and the beams must be cut to length.
- If the rubber seals are deformed, they can be straightened again with a little heat, from a hot air heater or hair dryer for example.

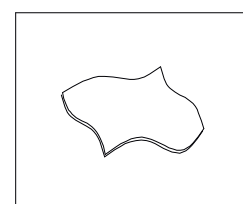
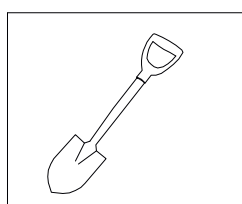
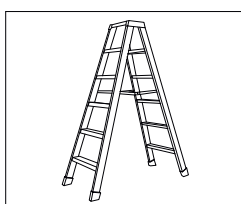
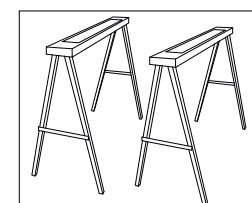
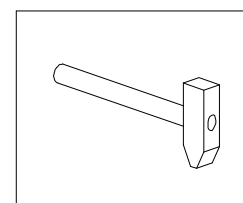
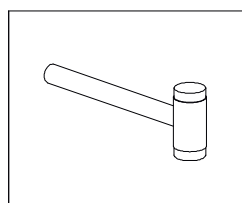
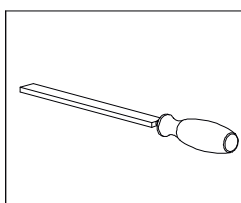
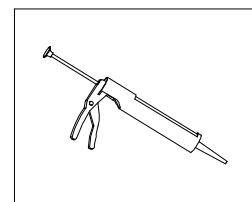
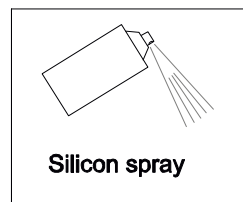
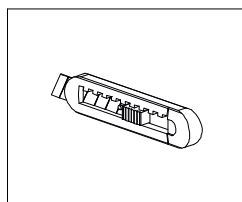
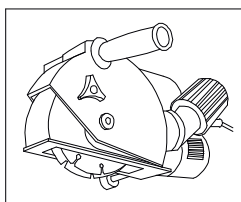
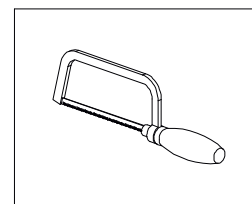
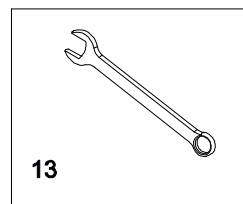
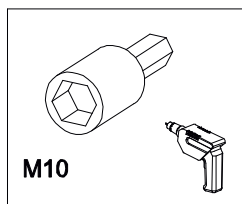
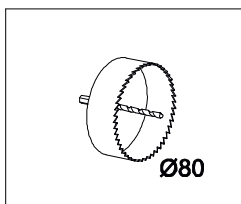
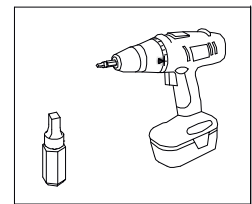
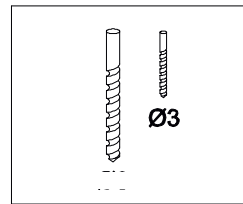
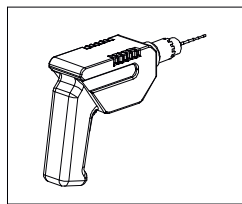
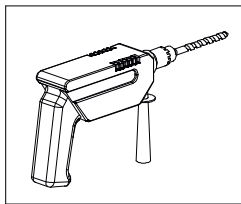
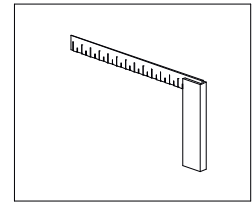
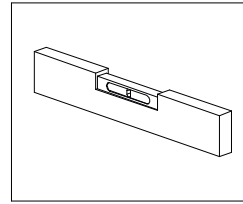
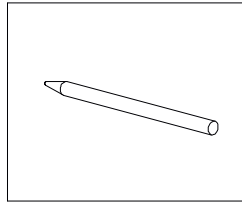
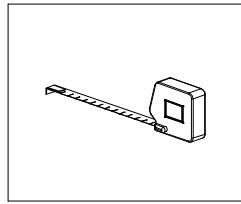
Remove protective film

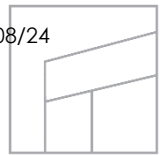
- It is recommended that the protective film be removed from the aluminium parts and the roofing sheets at the last possible moment, to prevent damage. When mounting the roofing sheets, however, the edges of the protective film must be pulled back a few centimetres towards the middle of the sheet so the film does not get stuck in the profiles; otherwise it will be difficult to remove later.

Warranty is void if the Ribolla veranda is not assembled and installed in accordance with the instructions.



5.2 Inspection of tools and accessories

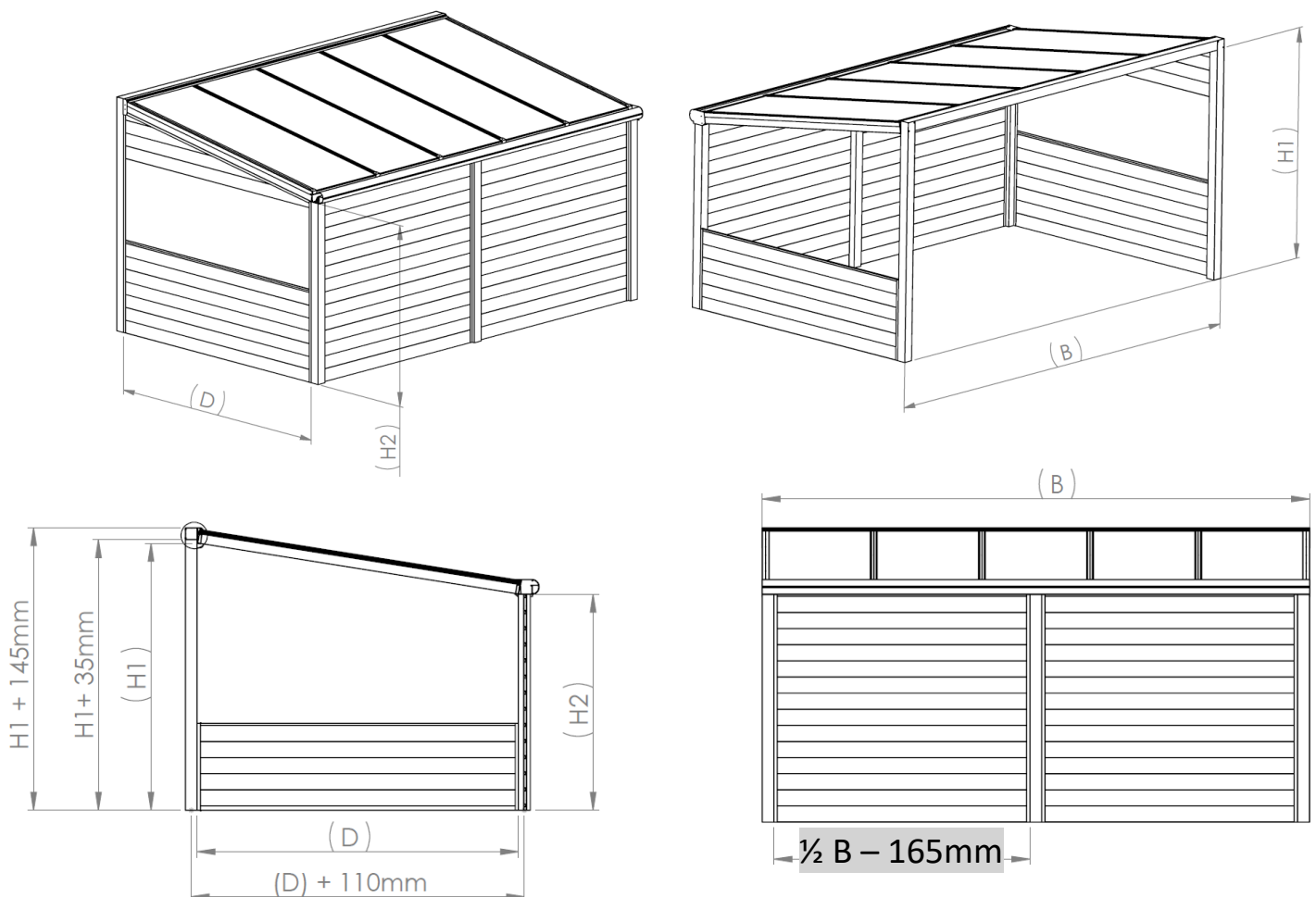




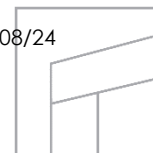
5.3 Measuring & determining dimensions

The Deponti veranda is available in a large range of sizes. Moreover, the roof has a modular design and can be quickly and easily made to size. However, please note that our current and future modular options are based on standard sizes. If you do not install your roof using the standard sizes, your options will also have to be adapted to size.

With the Ribolla veranda, you must cut the posts, the Grillo parts and the polycarbonate sheet (optional for the side wall) to size.



- B: Length of wall profile, gutter profile and gutter cover profile.
- $\frac{1}{2} B - 165\text{mm}$: Distance between the back posts (= installation width Grillo)
- H1: Height from ground (ground level) to bottom of wall profile.
- H1 + 35mm: Height from ground (ground level) to bottom of the horizontale tube profile.
- H1 + 145mm: Height from ground (ground level) to top of the horizontale tube profile.
- H2: Height from ground to bottom of gutter profile (= installation height Grillo).
- D: Distance from the front inside post to the back inside post (= installation width side wall Grillo).
- D + 110mm: Distance from the centre of the front inside post to the centre of back inside post/rainwater discharge.



5.3.1 Height adjustments

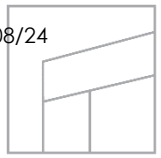
A Deponti veranda is designed for a slope of 15,7 cm per metre. All the static strength calculations, as well as all sizes and dimensions in this manual, are based on this. The height of the wall profile and the passage height (distance from bottom of gutter to the ground) are completely dependent on each other and determined by this slope. However, these heights can be adjusted very easily while maintaining the slope. However, these heights are very easy to adjust while maintaining the slope.

- Please note that choosing a different height also affects the height of your Grillo parts.

If you are going to install your veranda based on the standard dimensions, you can use the dimension table below.

Projection	Beam length	Distance from the front inside post to the back inside post (D)	Height from ground to bottom of gutter profile (H2)	Height from ground to bottom of wall profile (H1)	Height from ground to bottom of the tube profile ^A (H1 + 35mm)	Height from ground to top of the tube profile ^B (H1 + 145mm)
2.5 metres	247 cm	244 cm	212 cm	250 cm	254 cm	265 cm
3 metres	297 cm	293 cm	204 cm	250 cm	254 cm	265 cm
3.5 metres	347 cm	343 cm	196 cm	250 cm	254 cm	265 cm
4 metres	397 cm	392 cm	189 cm	250 cm	254 cm	265 cm

If you choose to change the height the Ribolla veranda, make sure that you cut off the same amount of centimeters on all the posts.



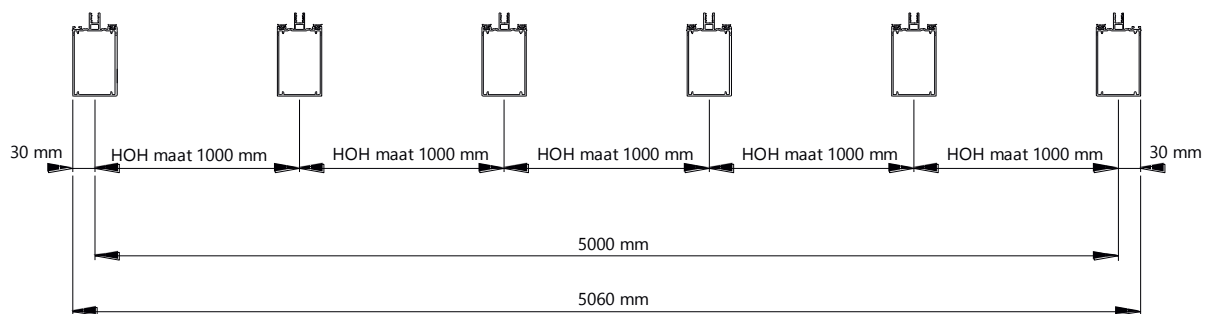
5.4 Joining verandas

There is no limit to the width in which the Deponti verandas can be delivered. This is because the verandas can be joined end to end.

In this case the gutter profile, wall profile and decorative profile are supplied in multiple lengths of 4060, 5060, 6060 or 7060 mm.

The centre-to-centre distance between the beams of a Deponti veranda is 1000 mm (1 metre).

A roof with five one-metre sections has a total width of 5060 mm. The extra 60 mm is the distance from the centre of the beam to the outside of the beam, which is 30 mm; this extra width is at both ends, for a total of 60 mm.

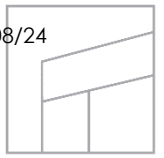


When standard size sheets are used, the total width of joined roofs must therefore also end with 60 mm, e.g. 8060, 9060, 10060, etc.

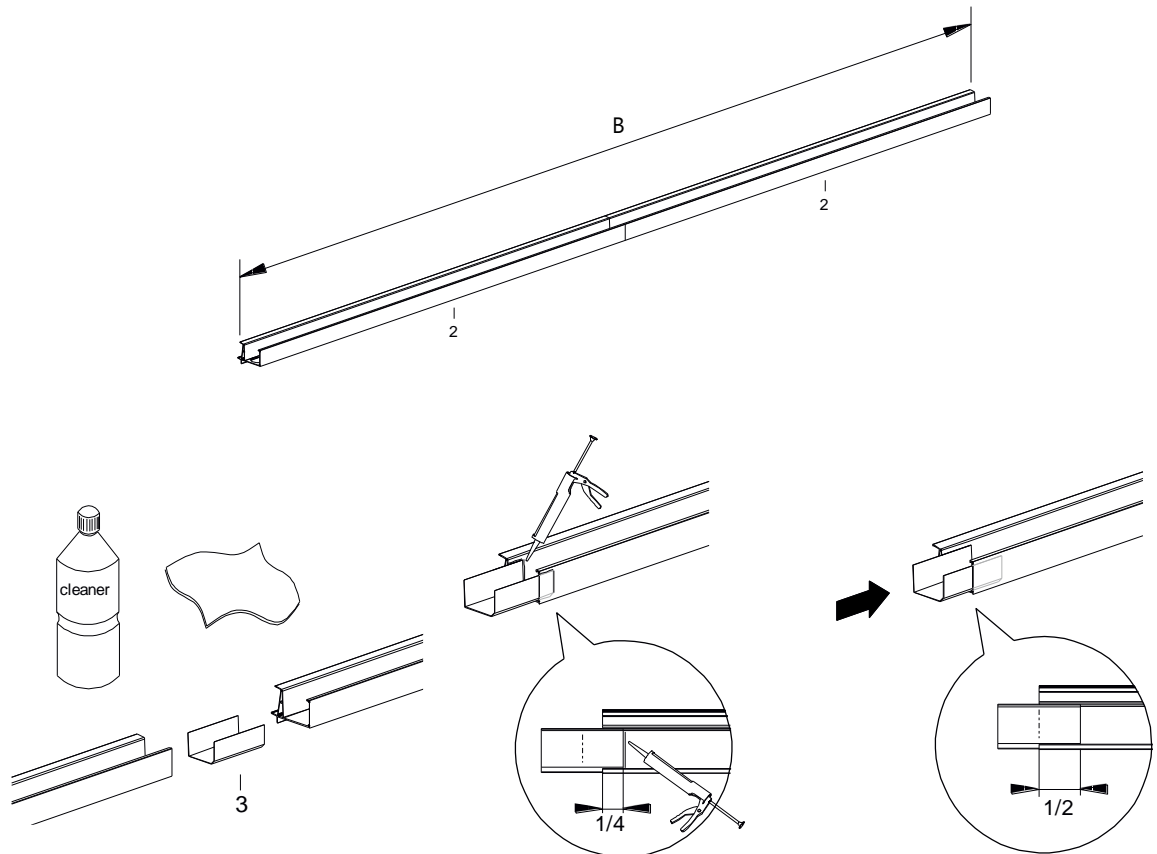
So if you have ordered a roof with a width of 9060 mm, the delivery will consist of one 5060 mm gutter section and one 4060 mm gutter section. Together this is 9120 mm. You must ensure that the width ends with xx60, so these profiles must be shortened by a total of 60 mm before installation. This can be done by removing 30 mm from both sections: $5030 \text{ mm} + 4030 \text{ mm} = 9060 \text{ mm}$. You can also choose to shorten one profile by 60 mm. $5060 \text{ mm} + 4000 \text{ mm} = 9060 \text{ mm}$.

This shortening applies to the wall profile, gutter profile and decorative profile.

After this shortening the further assembly is identical to that for a normal roof.



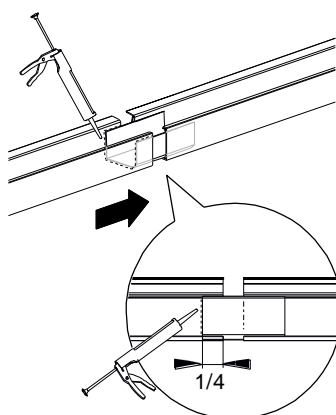
It is recommended that you join the gutter sections with the supplied gutter extension before installation. The installation steps are shown below:



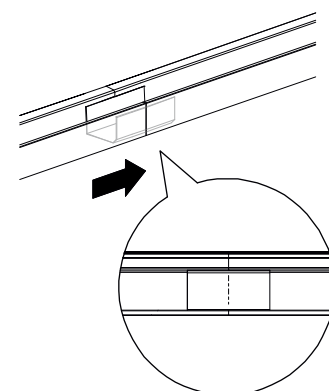
1. Clean and degrease the gutter and the gutter extension.

2. Insert the gutter extension $\frac{1}{4}$ of the way into the gutter and put sealant on the inside edge.

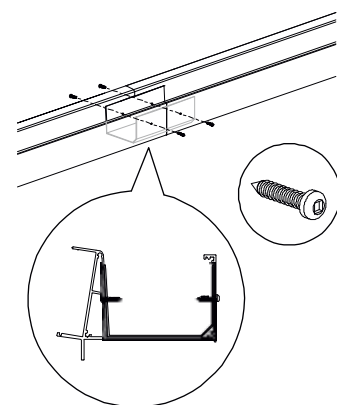
3. Now press the gutter extension further until it is half way into the gutter.



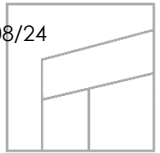
4. Insert the second gutter $\frac{1}{4}$ of the way into the other side of the gutter extension and put sealant on the edges.



5. Now press the second gutter completely over the gutter extension to form a seamless joint.



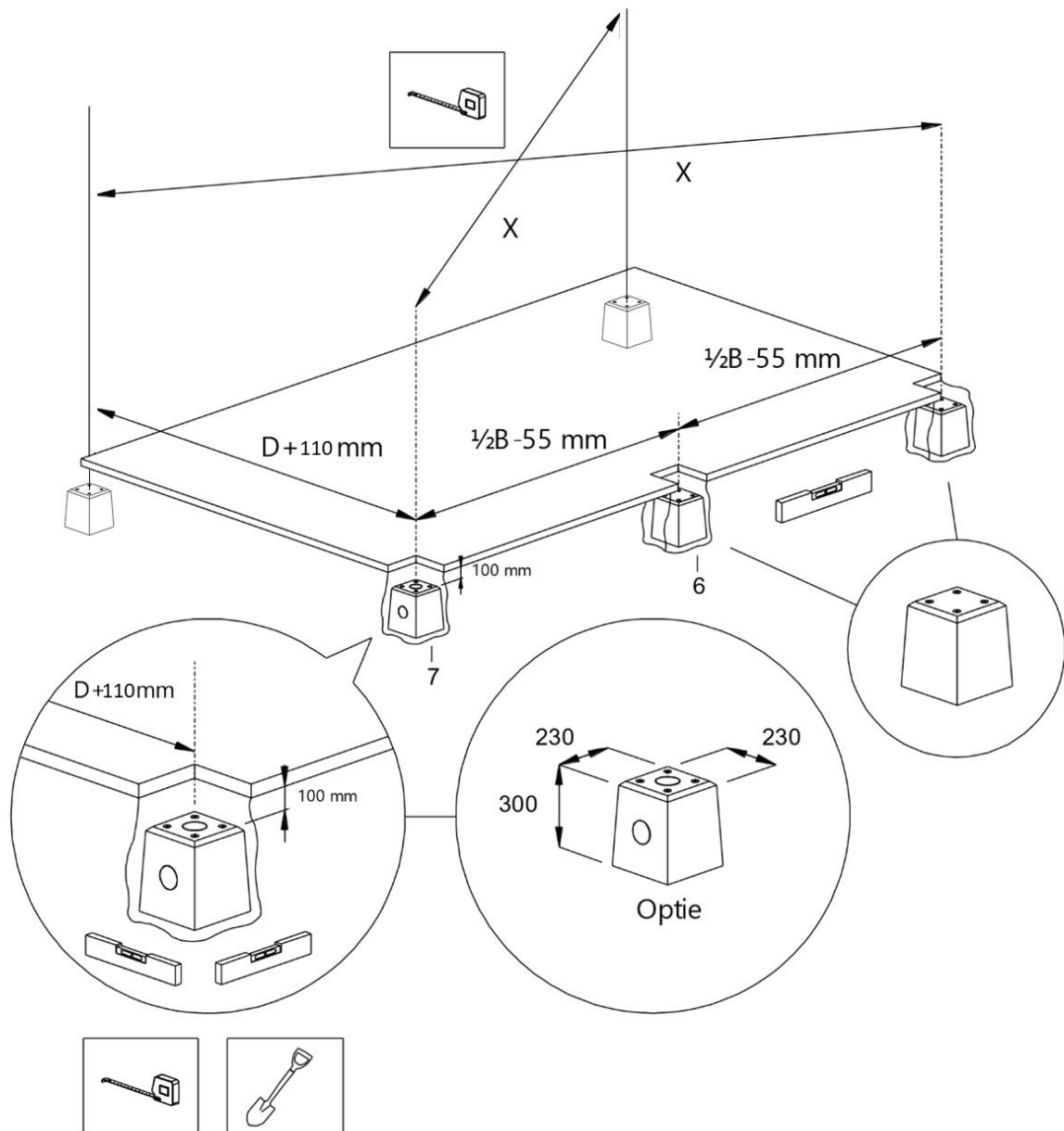
6. The gutter extension can now be secured with the short stainless steel screws in the chamber of the gutter and on the front side under the decorative profile. Put sealant on the assembly so it is smooth and waterproof!

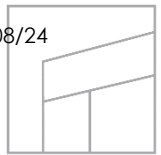


6. Assembly

6.1 Positioning and placement of the posts

Determine the positions of the posts and the optional concrete bases and the optional concrete bases with rainwater drainage. The sizes shown in the drawing below are from the centre of the posts. Make sure the positions are completely at right angles and make sure the height is level.





6.1.1 Installing concrete bases

Place the concrete bases in the ground as accurately as possible. Make sure that the top of the concrete base is placed at least 100mm below ground level, and place them level. Connect the drain to the side outlet of the rainwater discharge concrete base.

6.1.2 Shorten the length of the posts.

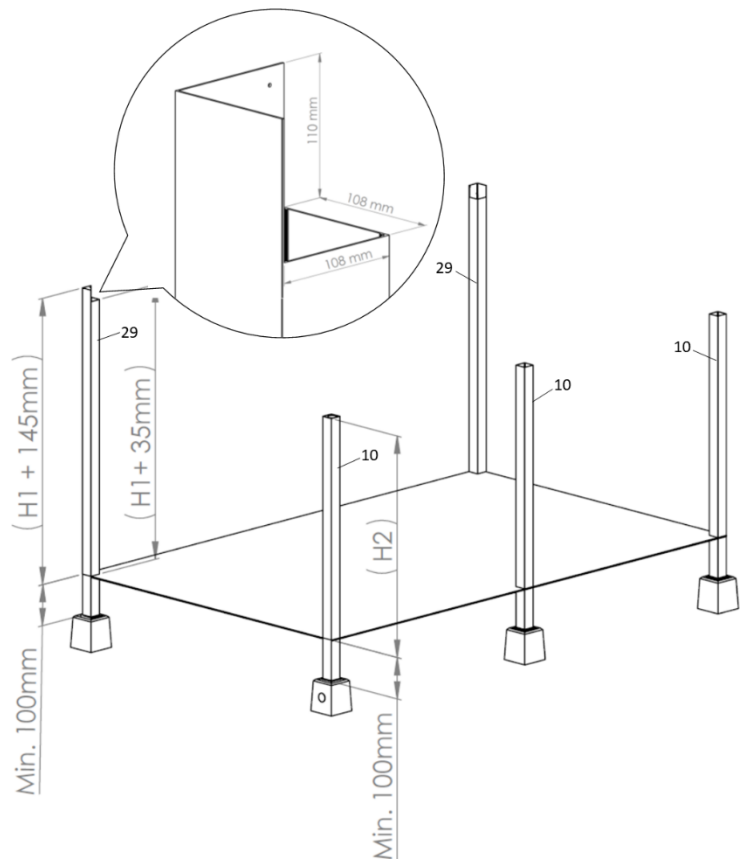
Cut the posts to size before placing them.

If you are going to place your veranda according to the standard sizes, you can use the sizes from the table below.

If you choose to change the height the Ribolla veranda, make sure that you cut off the same amount of centimeters on all the posts.

Use the image on the right and the below table for the sizes and details.

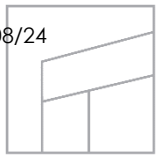
Note: When shortening the posts, take into account the depth of the concrete bases and the footplate.



Projection	From ground to bottom of gutter profile (H2)	From ground to bottom of wall profile (H1)	From ground to bottom of the tube profile ^A (H1 + 35mm)	From ground to top of the tube profile ^B (H1 + 145mm)
2.5 metres	212 cm	250 cm	254 cm	265 cm
3 metres	204 cm	250 cm	254 cm	265 cm
3.5 metres	196 cm	250 cm	254 cm	265 cm
4 metres	189 cm	250 cm	254 cm	265 cm

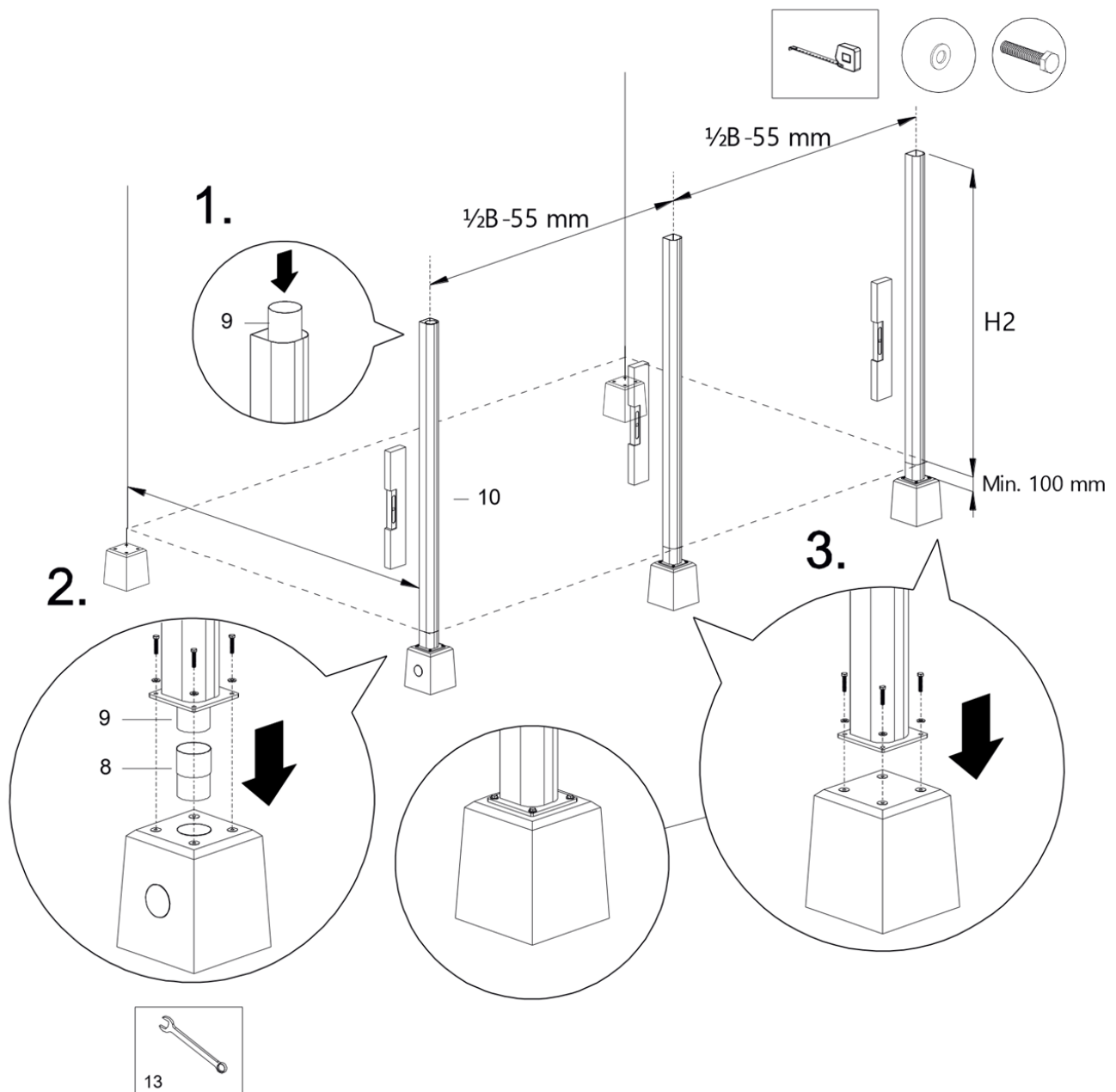
^A = Length of the front post (above ground level) when installed at the bottom of the horizontal tube (use your mounting brackets + plastic end caps)

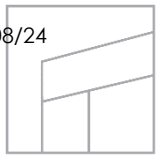
^B = Length of the front post (above ground level) when installed by sawing the posts and screwing them against the front of the horizontal tube. (This manual shows this situation again).



6.1.3 Installing posts on concrete bases.

1. Place the post with the PVC rainwater discharge pipe at the location of the rainwater discharge concrete base.
2. Place the rainwater discharge sleeve in the rainwater discharge concrete base and connect the rainwater discharge pipe to the sleeve. Place the post with the rainwater discharge pipe on top of the rainwater discharge concrete base and fasten the post with M8x40 hex bolts (incl. washers). Make sure the post is level.
3. Place the remaining posts on the concrete bases and level them.

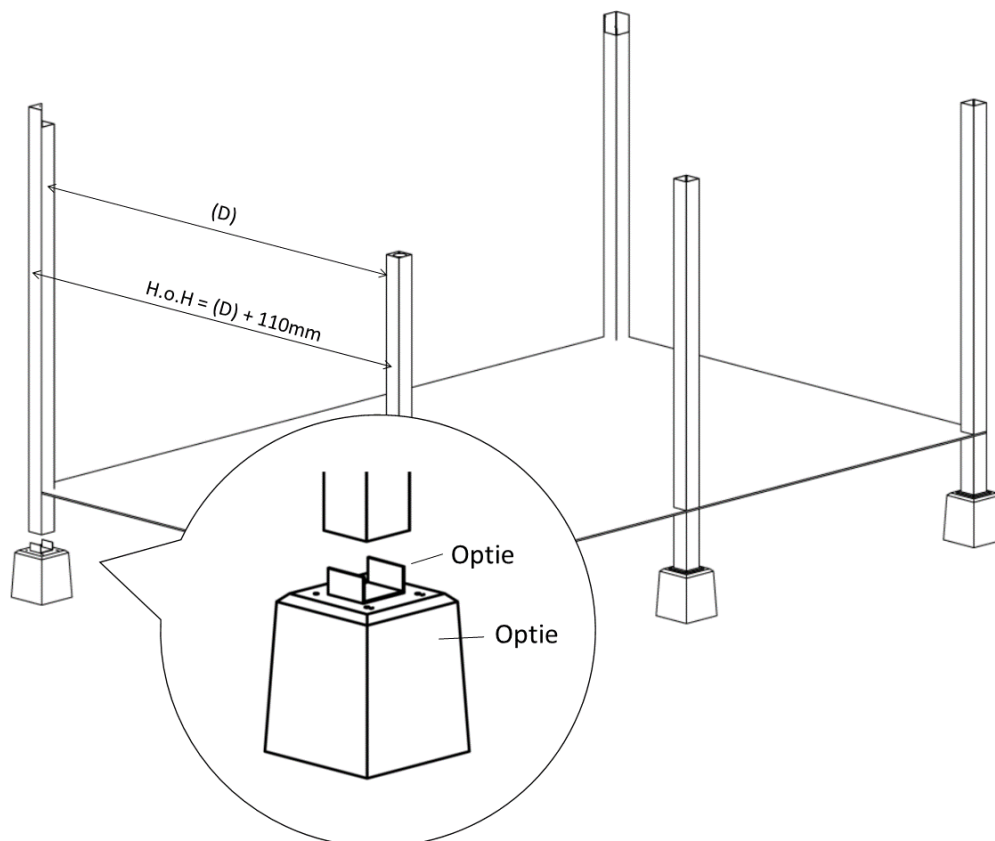




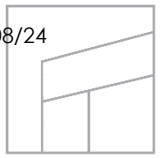
6.1.4 Installing front posts on concrete bases.

The order of your Ribolla veranda includes posts with base plate for the back. The posts at the front are without base plate and can be mounted on the concrete base with an optional U bracket for the 110x110 post/tube.

1. Mount the U bracket to the concrete base
2. Slide the post over the U bracket, make sure that the recess is at the top and that the open side points inwards.
3. Level the posts
4. Screw the posts with 3 screws through the wall of the post into the U bracket.

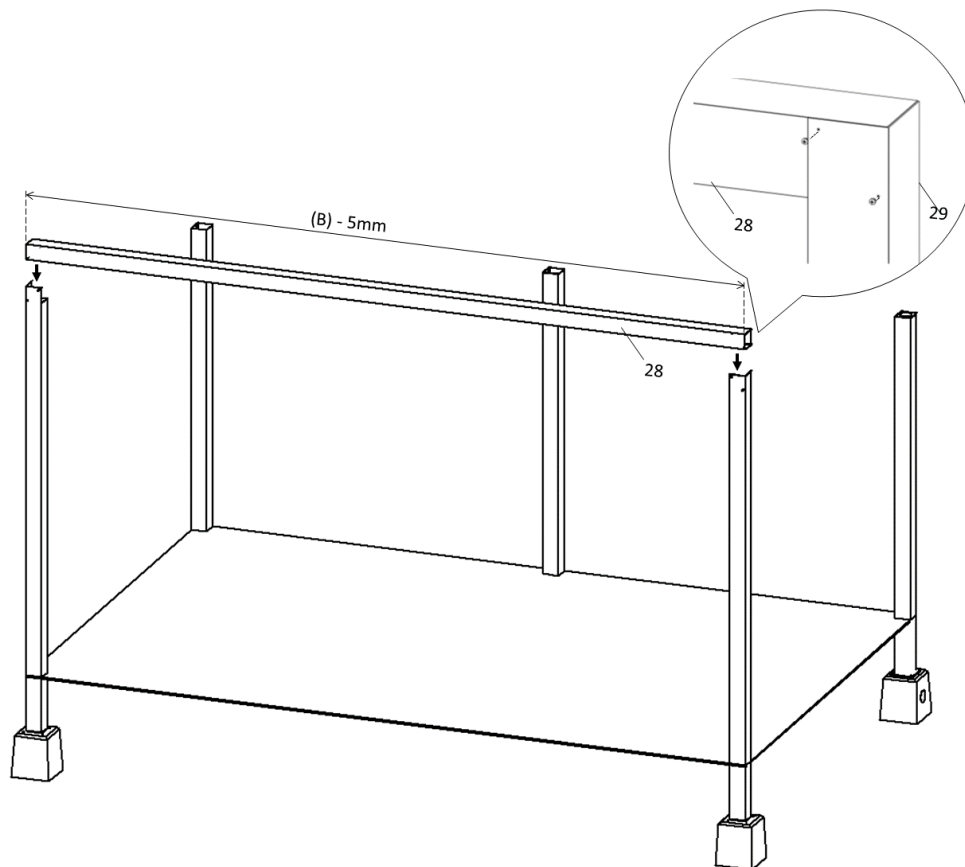


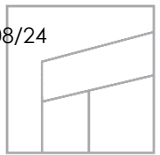
Optie = Option



6.1.5 Installing the tube on the front posts

1. Saw the horizontal tube to size. The length of the tube is $(B) - 5\text{mm}$
2. Place the tube in the recesses of post 29. Make sure that the tube is level.
3. Pre-drill 2 holes per post, drill through both; the tube and the post.
4. Install the tube with 2 screws per post.



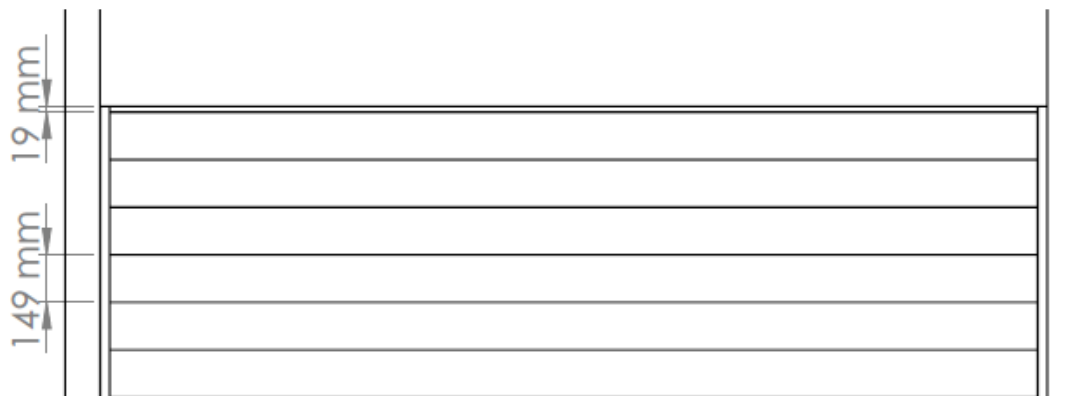


6.2 Grillo fencing parts

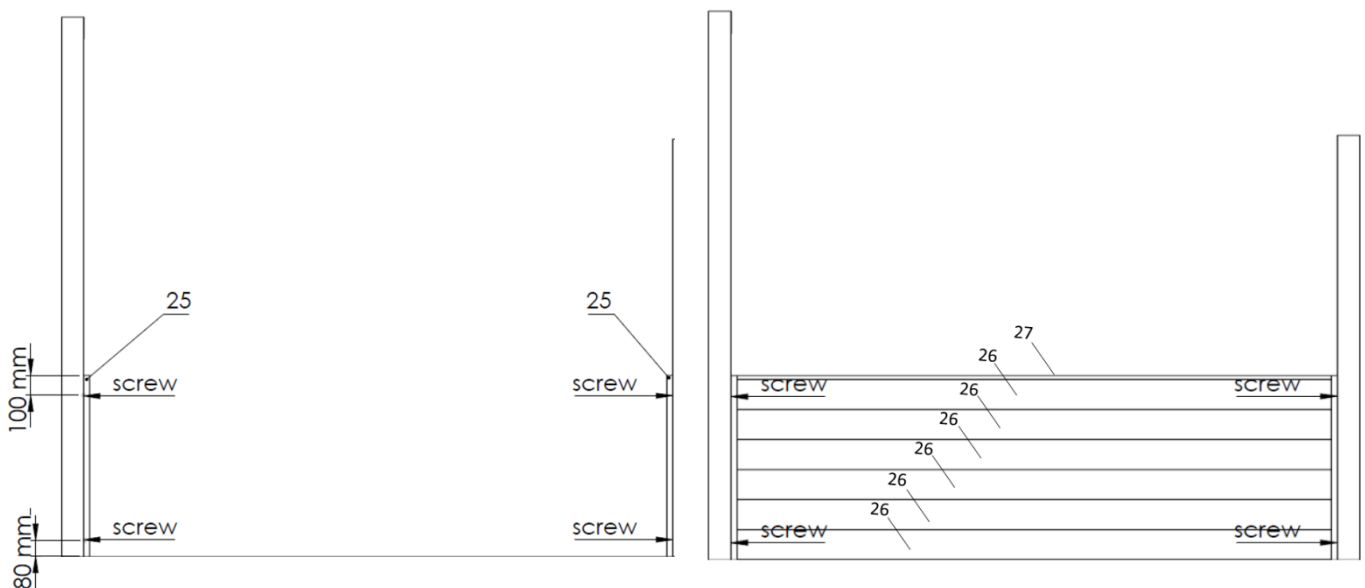
6.2.1 Installing the grillo fencing for the side walls.

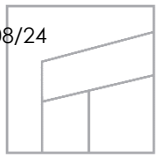
1. Cut two U-profiles to size, the length of the U-profile is determined by the number of Grillo parts that you will use. A top cover will be placed on the top of the Grillo fencing.
Based on the image below you can calculate how long the U profile should be.

For a standard Ribolla veranda, you will need 6 Grillo parts + 1 top cover = 914mm.

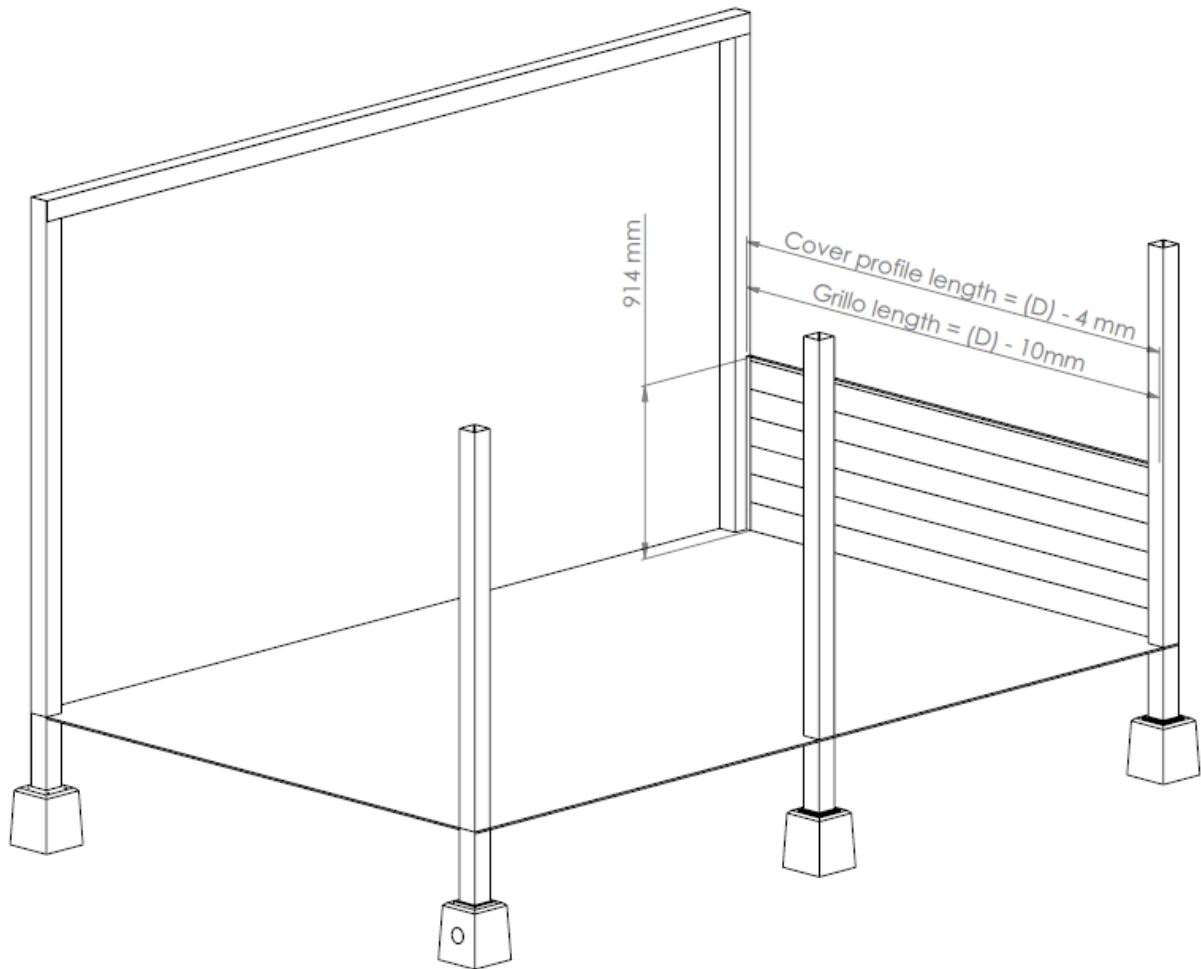


2. Install both U-profiles against the posts by screwing them against the posts from the inside. Pre-drill first.

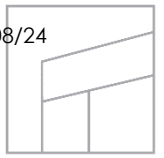




3. Saw the Grillo parts and top cover to length. The Grillo parts should be cut to $(D) - 10\text{mm}$ and the top cover to $(D) - 4\text{mm}$.

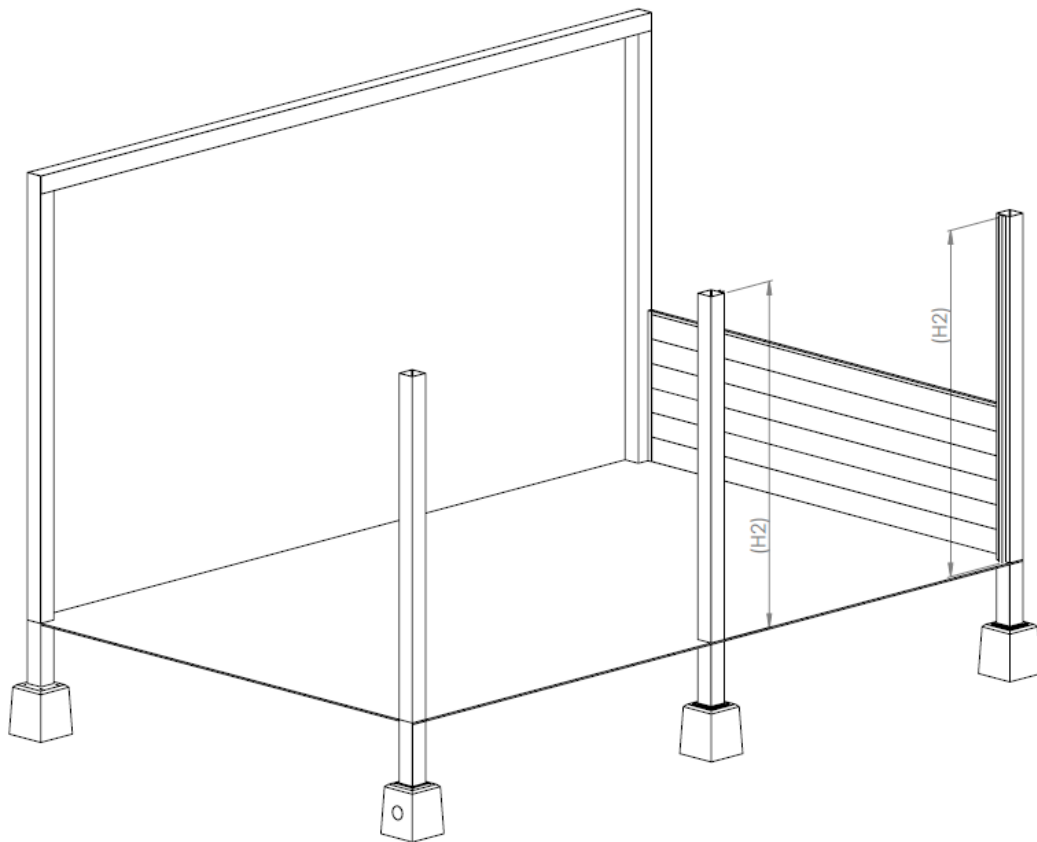


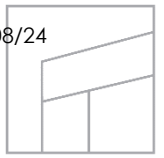
4. Place the Grillo parts 1 by 1 in the U-profile from above. The profiles click together with a little force. Finally, place the top cover. (Make sure you place the Grillo profiles properly, otherwise the top cover will not fit).
5. Connect the Grillo parts and the U-profiles with each other by screwing a few screws through the side wall of the U-profiles into the Grillo parts. Pre-drill first.



6.2.2 Installing the grillo parts for the back wall.

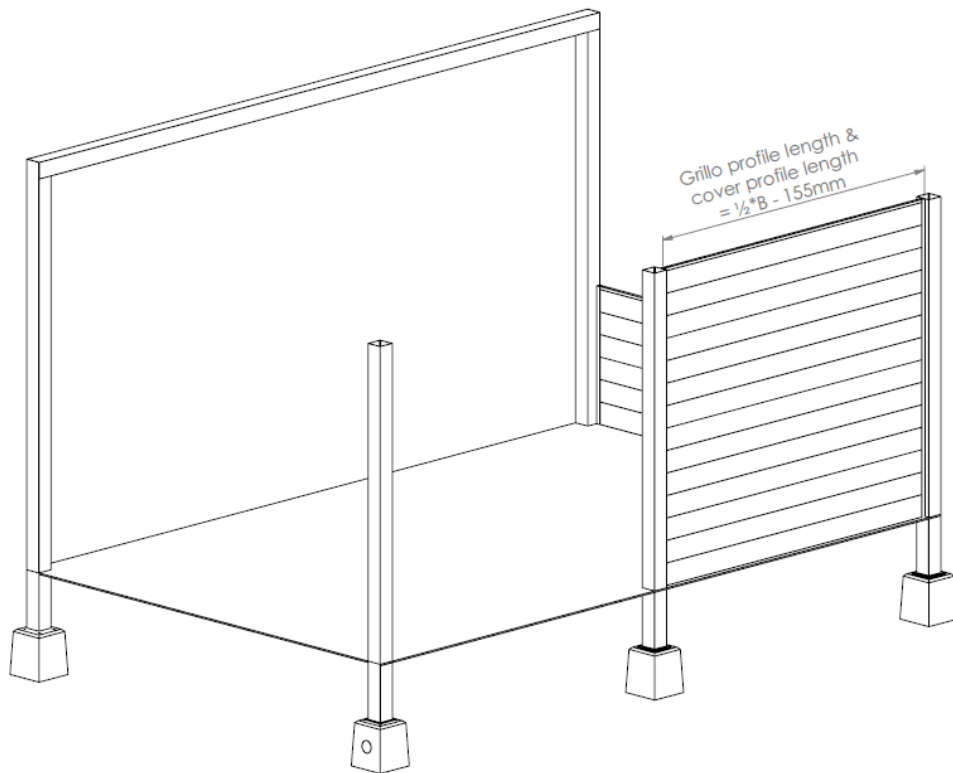
1. Saw two U-profiles to length H2.
2. Install both U-profiles against the posts by screwing them against the posts from the inside. Place a screw every +/- 50 cm. Pre-drill first.



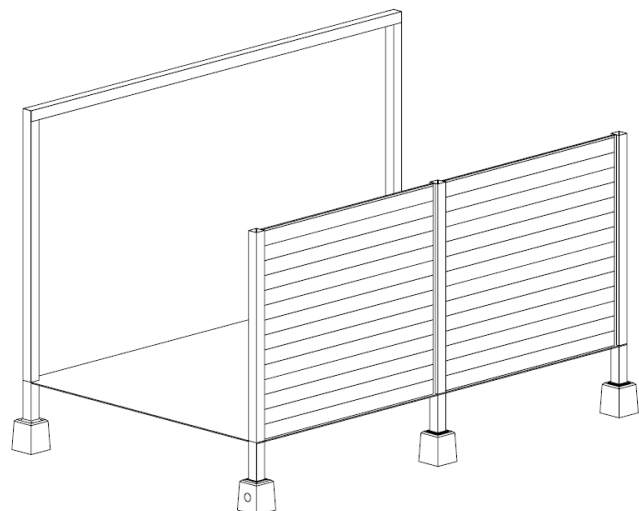


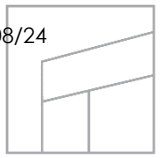
3. Saw the Grillo parts and top cover to length. Both should be cut to $\frac{1}{2}B - 155\text{mm}$.
4. Place the Grillo parts 1 by 1 in the U-profiles from above. The profiles click together with a little force. Finally, place the top cover. (Make sure you place the Grillo profiles properly, otherwise the top cover will not fit).

NOTE: The Grillo parts must be even with the top of the post. If they do not come out evenly, you must saw off the bottom of the lower Grillo profile over the full length.



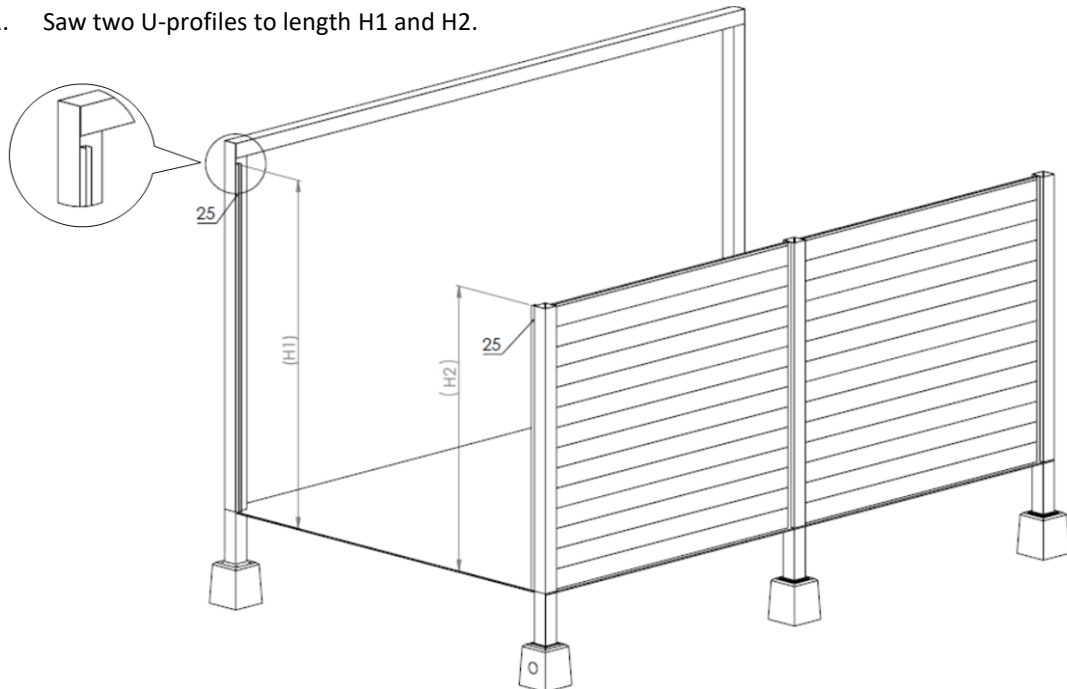
5. Connect the Grillo parts and the U-profiles with each other by screwing a few screws through the side wall of the U-profiled into the Grillo parts. Pre-drill first.
6. Repeat these steps for the other side of the back wall.



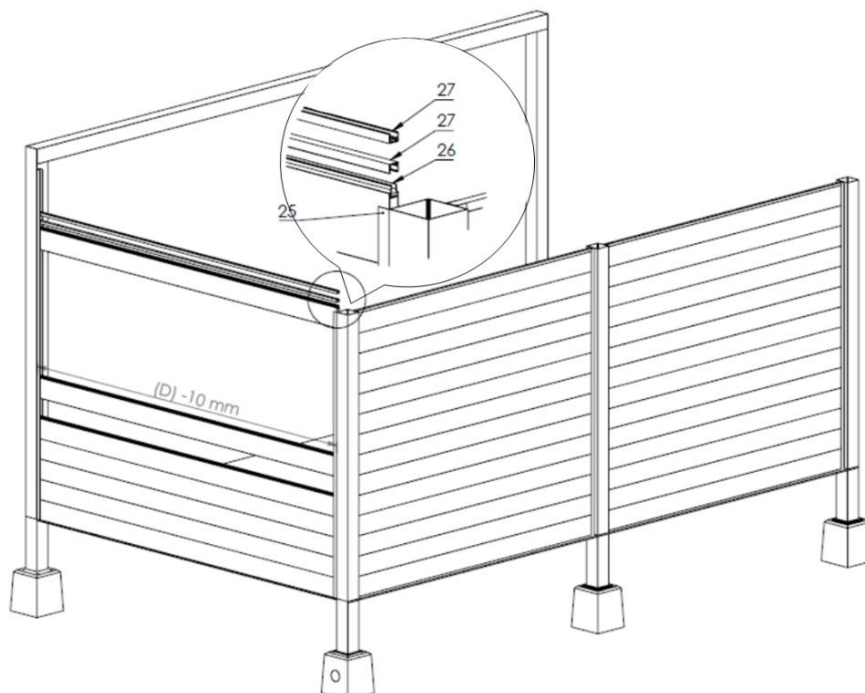


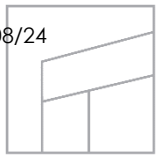
6.2.3 Grillo parts for the closed side wall (with Polycarbonate).

1. Saw two U-profiles to length H1 and H2.

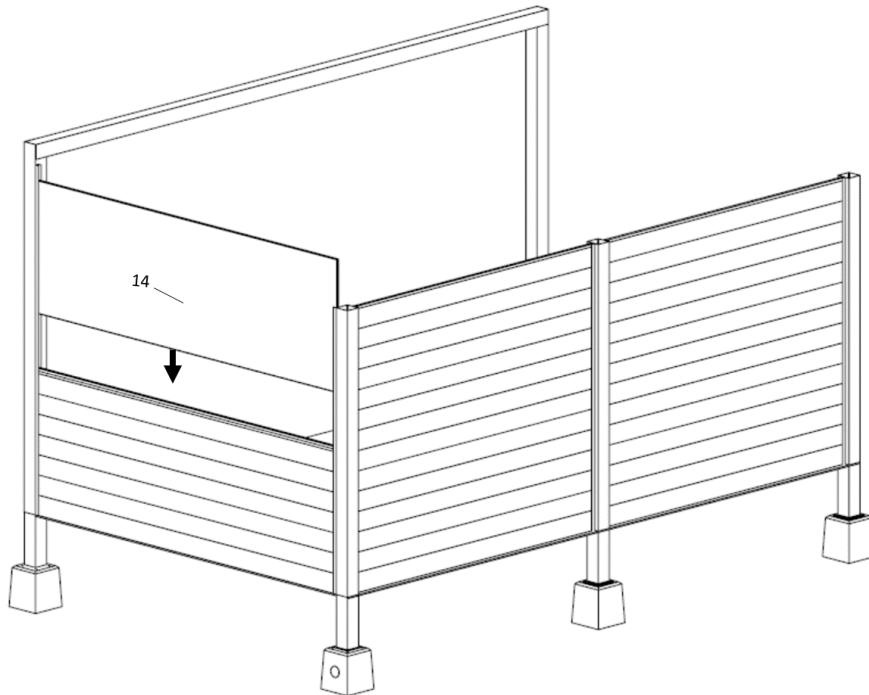


2. Install both U-profiles against the posts by screwing them against the posts from the inside (Let the sides of the U-profiles to run parallel with the sides of the posts). Place a screw every +/- 50 cm. Pre-drill first.
3. Saw the Grillo parts and the top covers to length. Both should be cut to $D - 10\text{mm}$.
4. Place the Grillo parts 1 by 1 in the U-profiles from above. The profiles click together with a little force. Finally, place the top cover. (Make sure you place the Grillo profiles properly, otherwise the top cover will not fit).

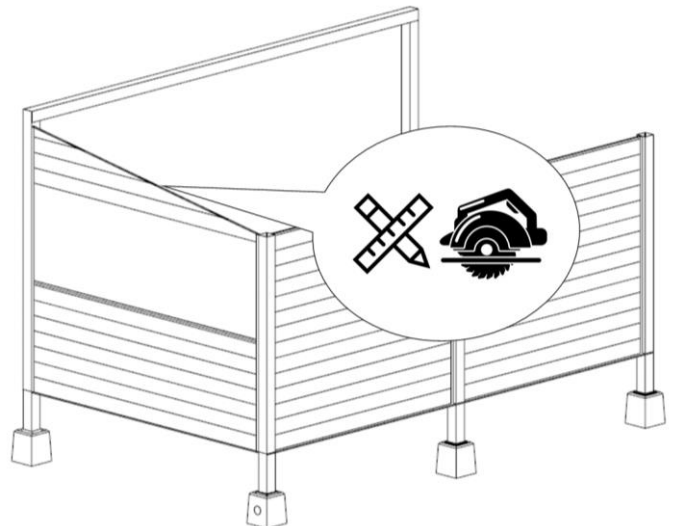


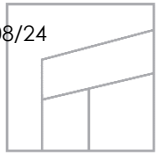


- Then place the 2nd top cover upside down on the top cover from the previous step. Pre-drill and screw it from above into the top cover below.
- Then saw the (optional) polycarbonate sheet to length: $(D) - 10\text{mm}$

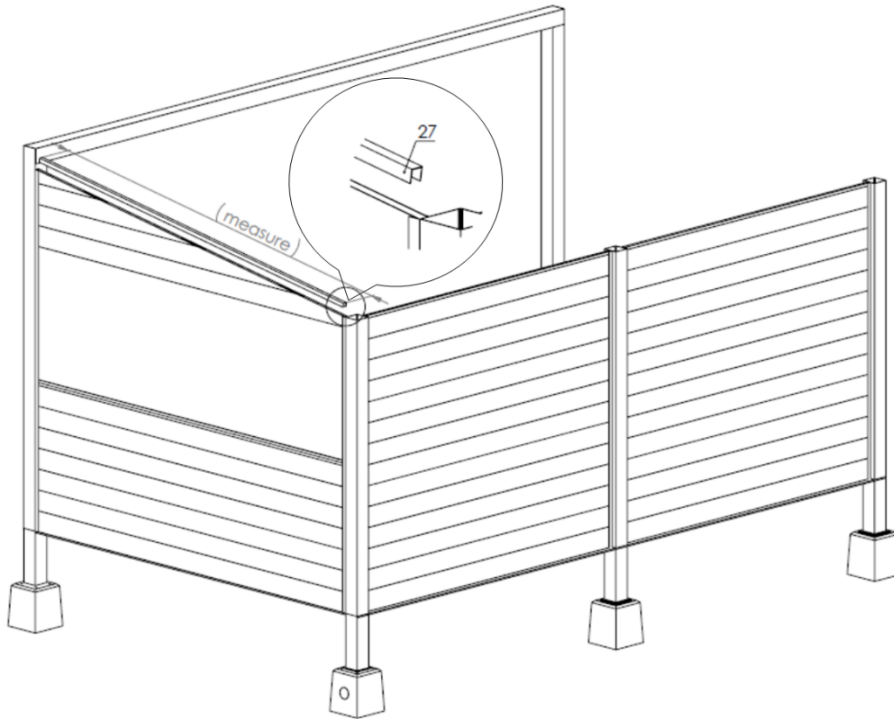


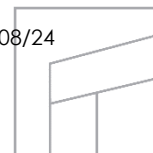
- Slide the (optional) polycarbonate sheet into the U-profile from above. The polycarbonate sheet falls into the upside down top cover.
- Click the Grillo parts together above the polycarbonate sheet and slide them into the U-profiles. The lower Grillo falls over the polycarbonate sheet.
- Mark with a ruler, use the top of the installed U-profiles as a marking line. Then saw off 2 millimeters extra.
- Finally, measure the length between the U-profiles. And saw the last U profile to this length.





11. Place the last u-profile over the top of the cut Grillo parts.

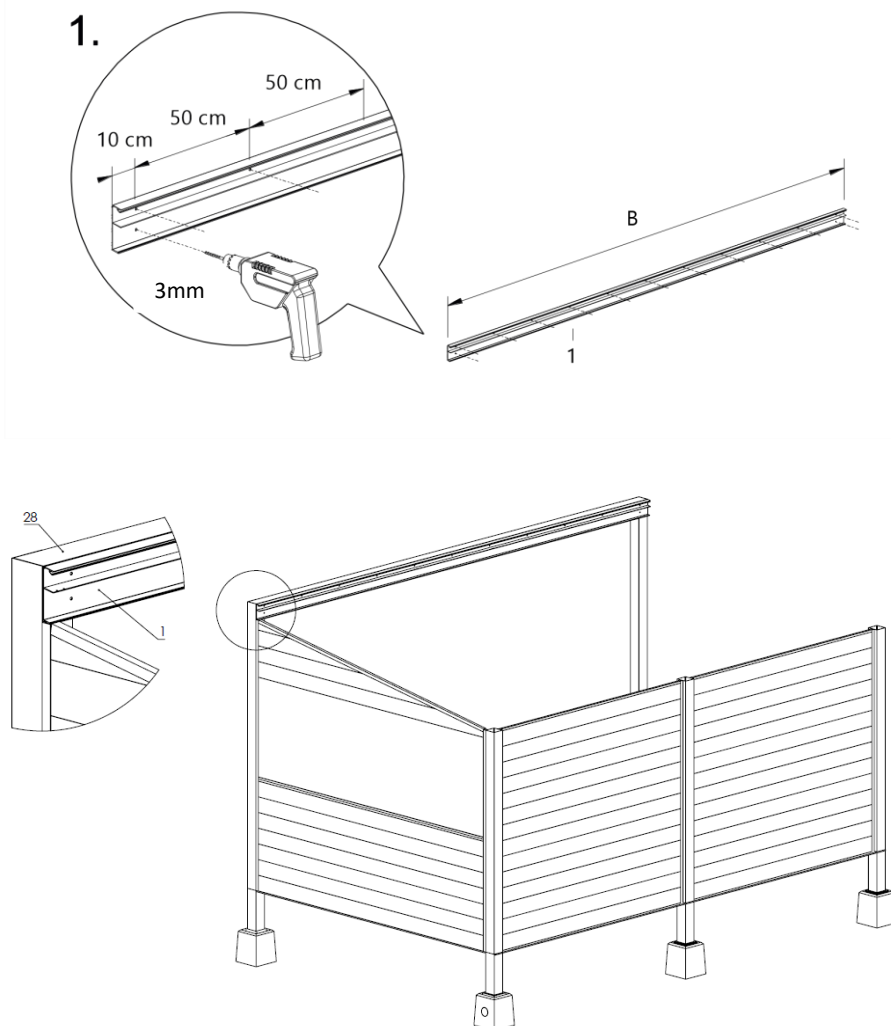




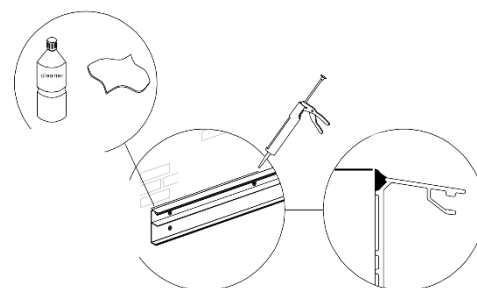
6.3 Mounting the wall profile

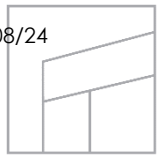
If the wall profile does not need to be shortened, you can mount it straight away. Otherwise you must first cut the wall profile to the desired length. Do not place the supplied rubber strip in the wall profile yet; this rubber strip is fit in place after mounting.

1. Drill holes in the wall profile at 50 cm intervals. Begin approximately 10 cm from one end and finish approximately 10 cm from the other end. Use a metal drill bit with a diameter of \varnothing 3mm.



2. Place the wall profile against the 110x110 tube.
3. Drill through the holes just drilled in the wall profile with a 3mm drill into the tube.
4. Fasten the wall profile with the supplied frame fixing screws.
5. Degrease the horizontal tube and the wall profile at the top.
6. Apply sealant on the wall profile (between the tube and the wall profile) to make a good seal. Strike off the sealant to make it smooth and waterproof.



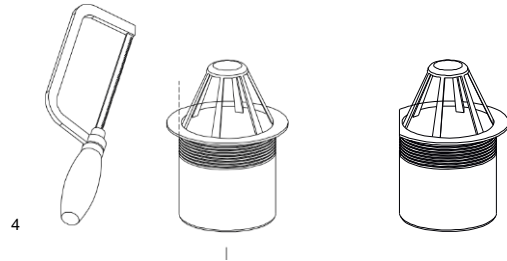


6.4 Pre-installing the gutter

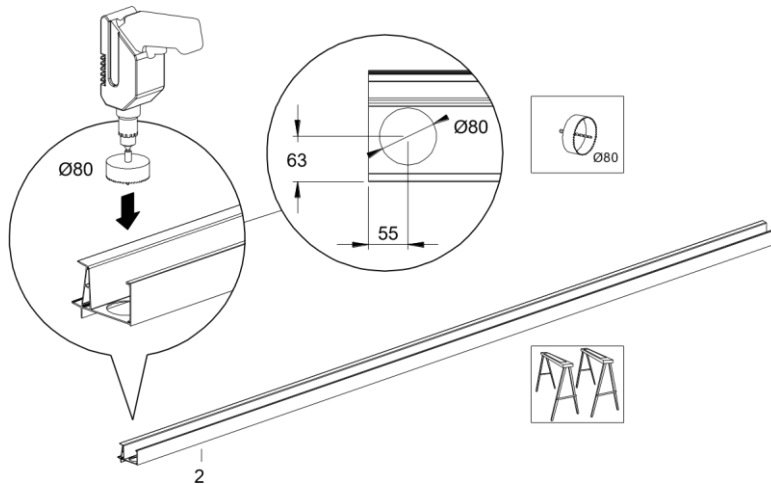
If the standard gutter length is correct, you can pre-install it straight away. If not, you must first cut the gutter profile and decorative profile to the desired length.

6.4.1 Installing the leaf catcher in the gutter

1. Cut/saw off one end of the leaf catcher so it fits in the gutter profile.

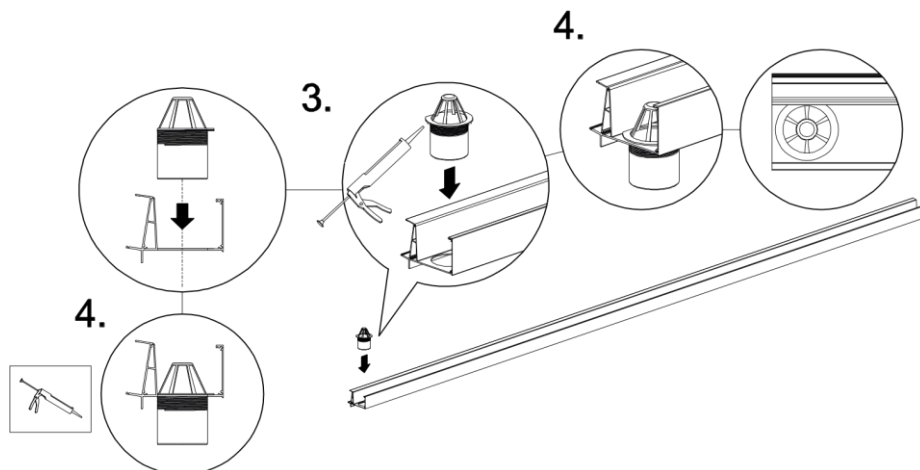


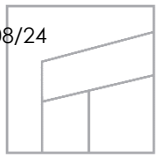
2. Place the gutter flat and firm on a table or sawhorses. Determine where the rainwater discharge post (and leaf catcher) will be placed, i.e. at the left or right end of the gutter. Mark the position of the hole for the leaf catcher in the gutter. Now carefully drill the hole in the gutter with the $\varnothing 80$ mm hole saw.



3. Apply sealant to the underside of the leaf catcher.

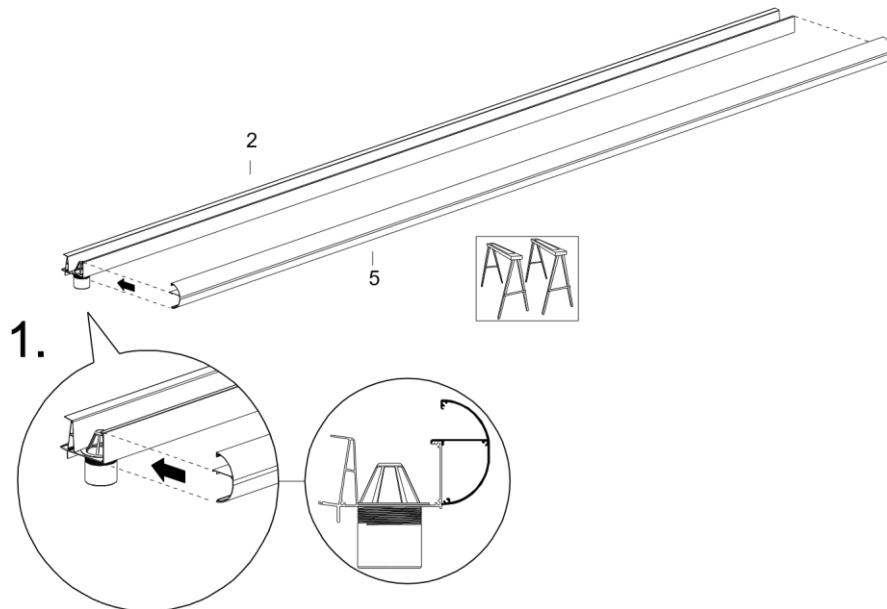
4. Place the leaf catcher in the hole in the gutter (with the cut side towards the side of the gutter profile with the open chambers). Apply sealant to form a waterproof seal around the leaf catcher.



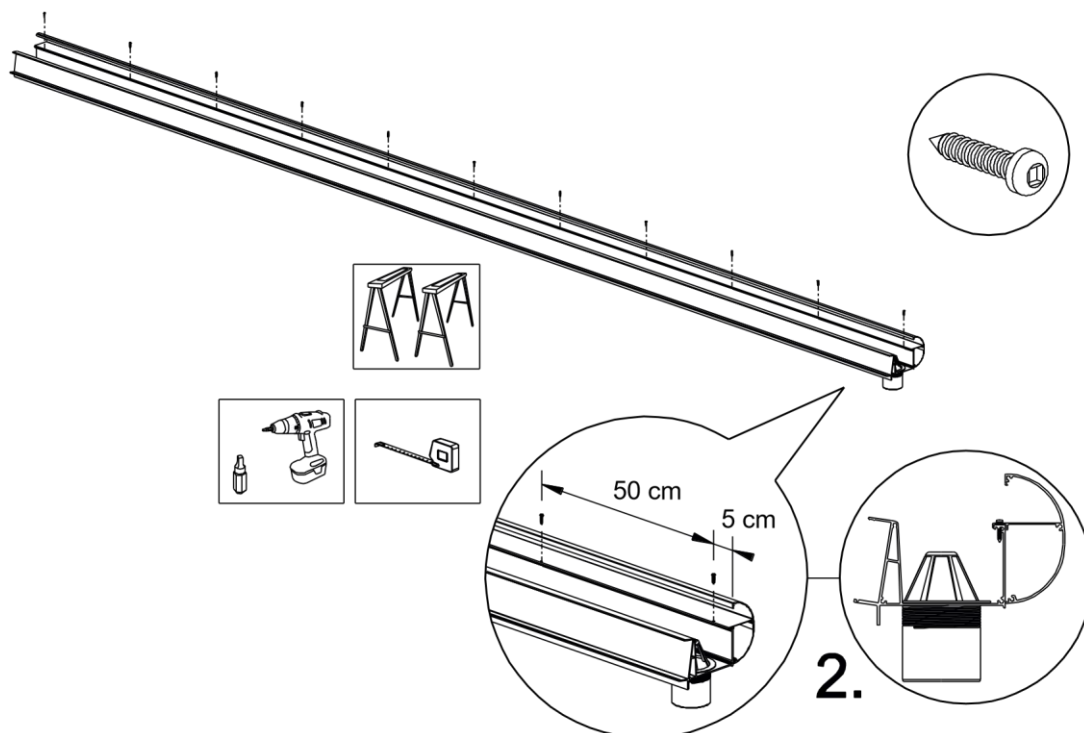


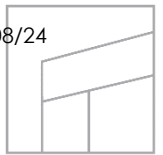
6.4.2 Attaching the decorative profile to the gutter.

1. Place the gutter flat and firm on a table or sawhorses. Place the decorative profile on the top of the gutter.



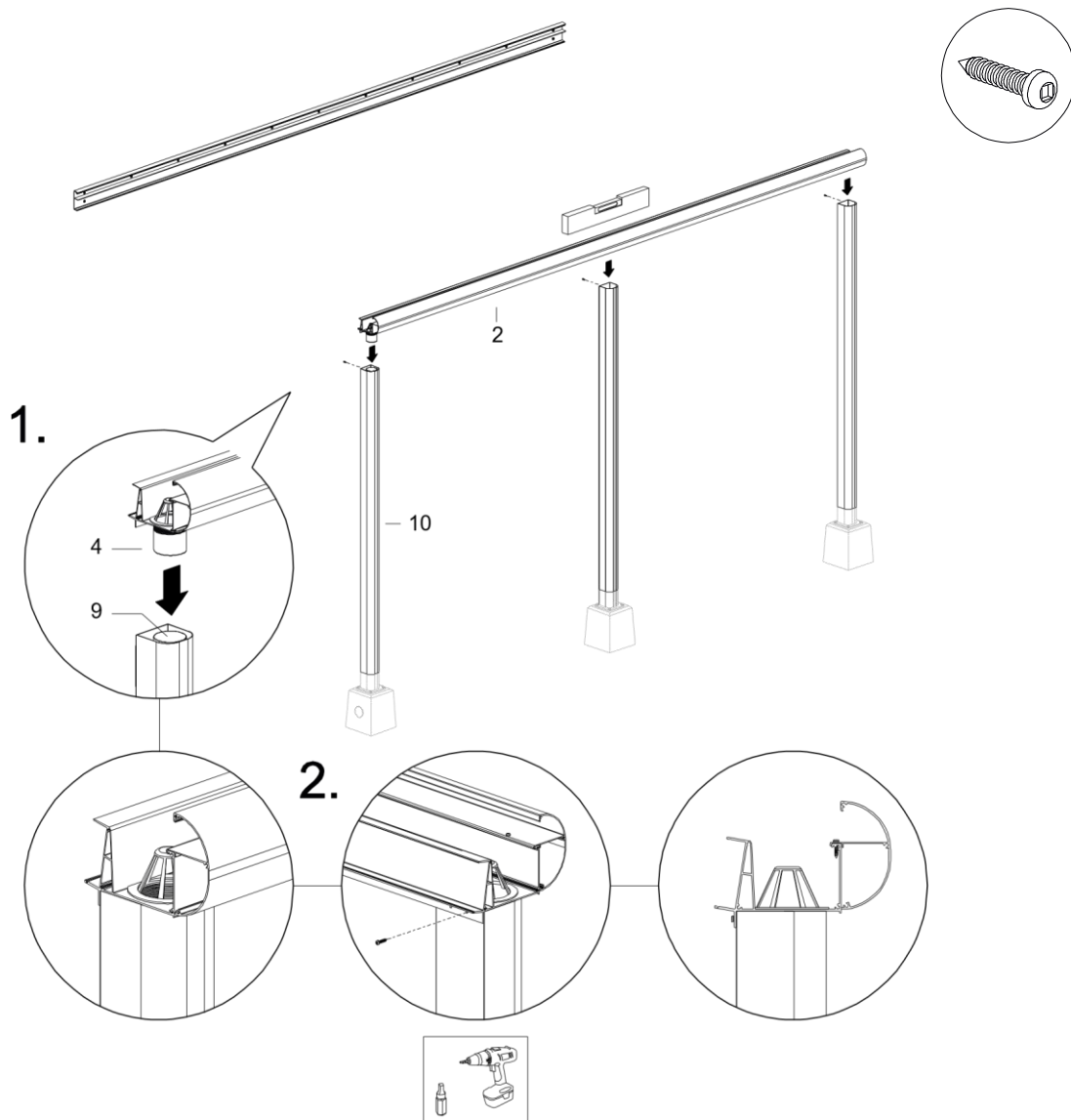
2. Secure the decorative profile with the supplied short 19 mm stainless steel screws. Begin approximately 5 cm from the end and place a screw approximately every 50 cm. The last screw should be placed approximately 5 cm from the end.

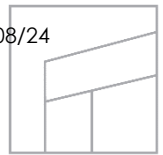




6.4.3 Installing the gutter

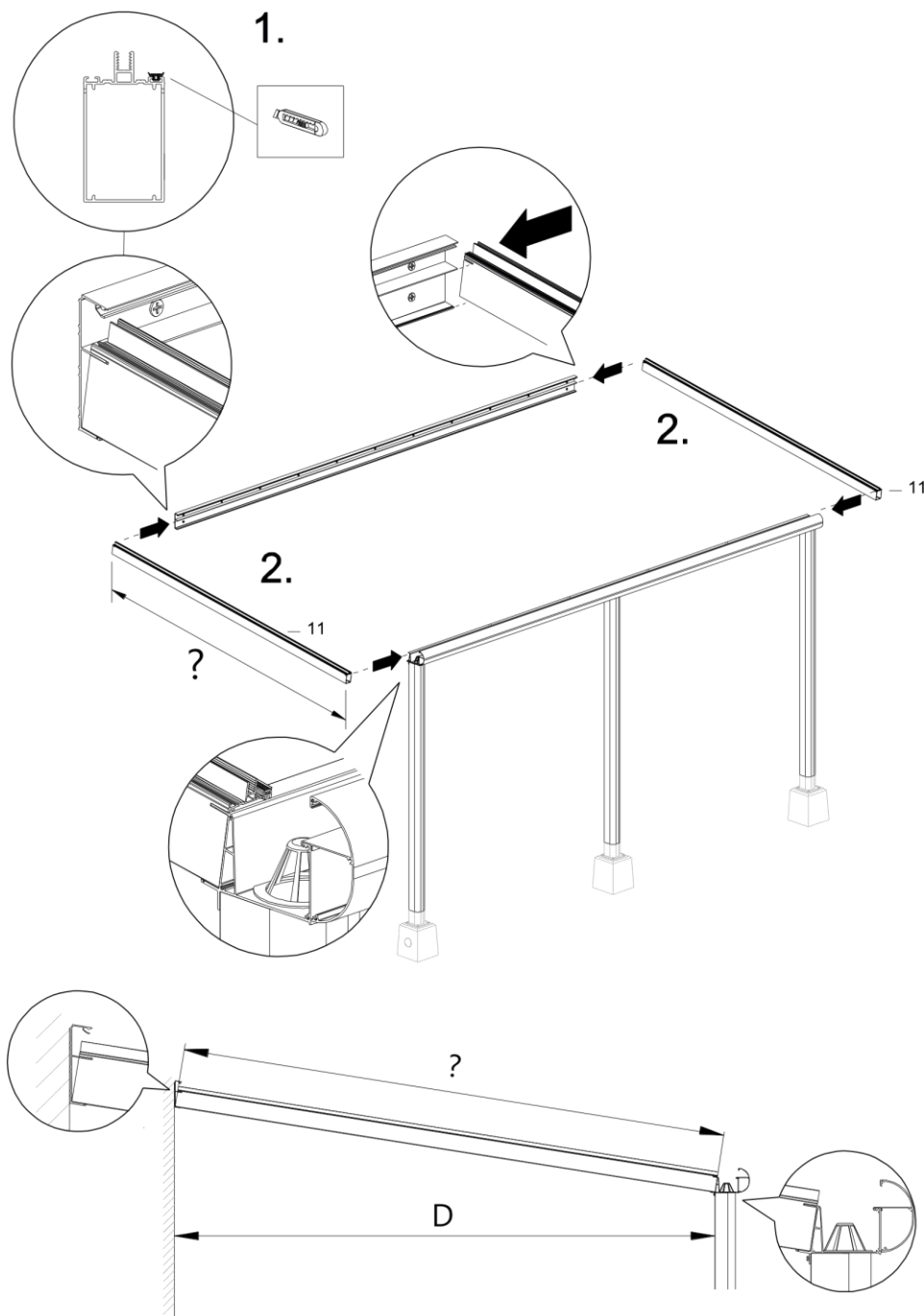
1. Now place the pre-assembled gutter profile on the posts. Make sure the leaf catcher is positioned properly in the PVC rainwater discharge pipe.
2. Screw the posts to the gutter with two short screw through the lower lip of the gutter profile into the post.
Note: Be careful not to drill and screw through the PVC pipe in one of the posts.
3. From the gutter, screw 2 screws down into the screw channels of the posts. This pulls the gutter onto the uprights.

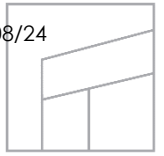




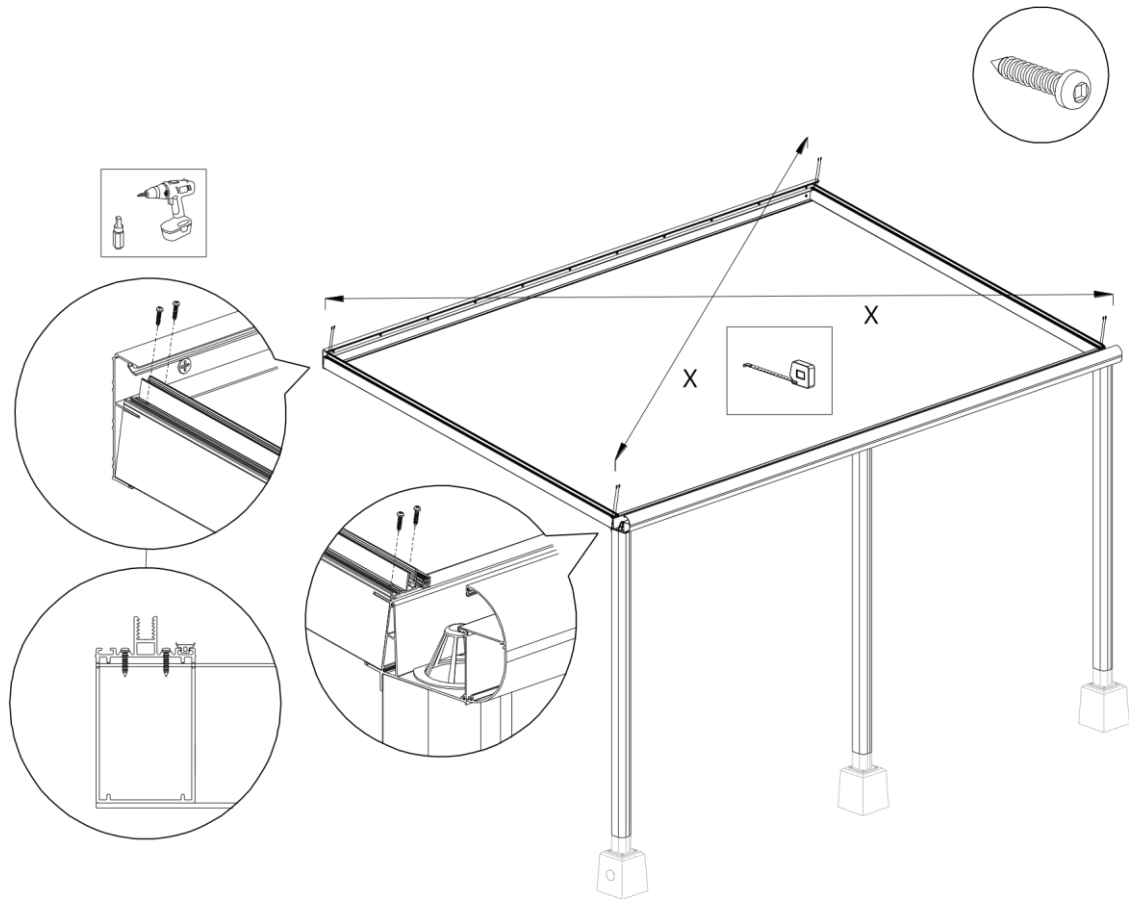
6.4.4 Installing the end beams

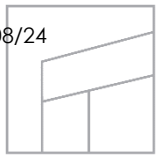
1. Carefully cut the pre-fitted rubber seals in the end beams to size.
2. Place the left and right end beams in both the gutter profile and the wall profile, one by one.
Make sure that the outer edges of the end beams are flush with the ends of the gutter profile and wall profile.





Screw the end beams to both the gutter profile and wall profile from the top with one short screw per end. Make sure the roof is completely square. Secure the end beams with the second screw.



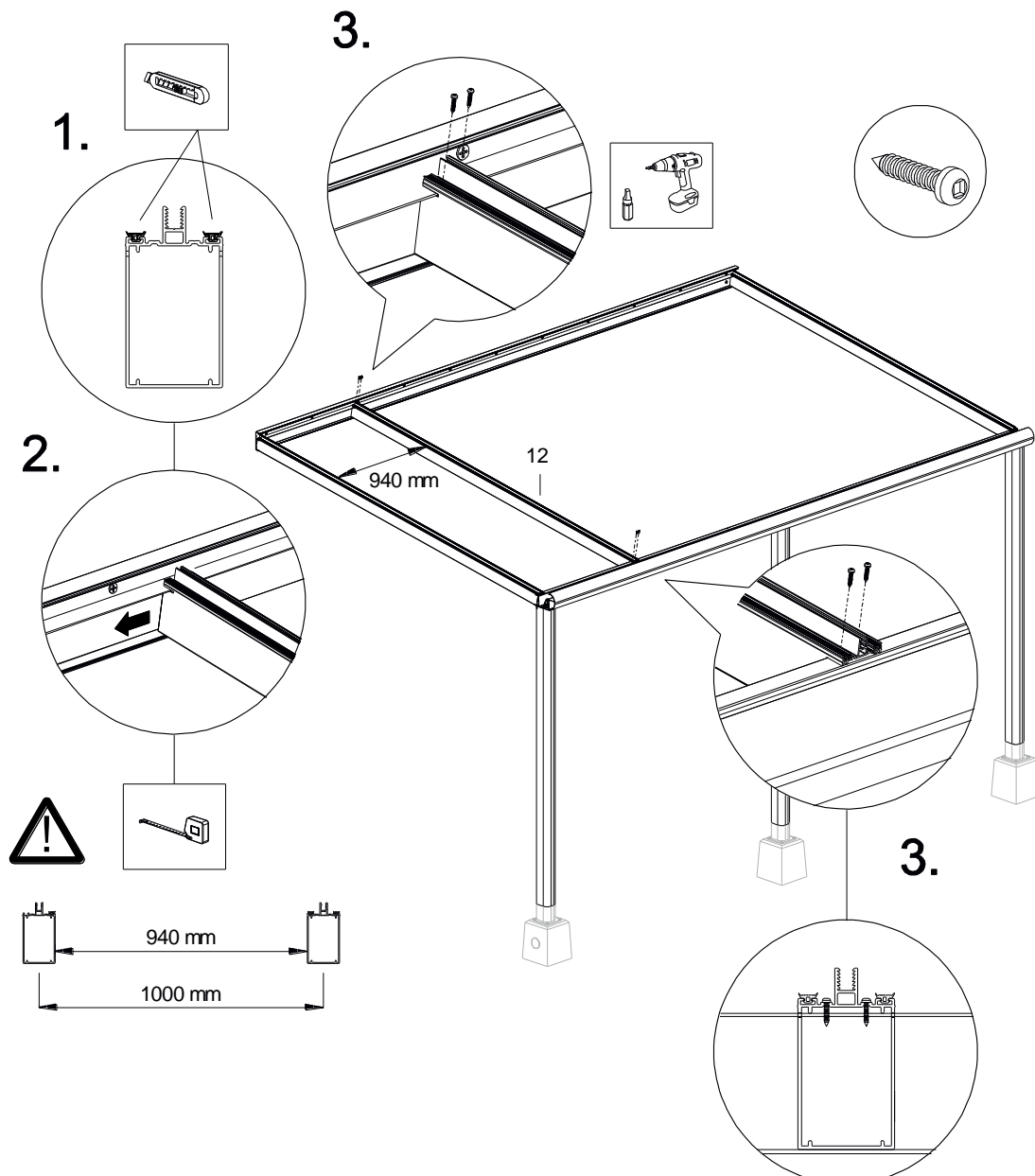


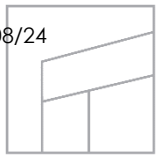
6.6 Installing the middle beams

Note: if you install Deponti LED lighting, we recommend performing the installation before placing the middle beams.

If you do not shorten the width of your veranda, you can use the trim elements for the gutter as spacers between the beams. The standard element width is 98 cm, so the middle beams will be spaced exactly 100 cm centre to centre.

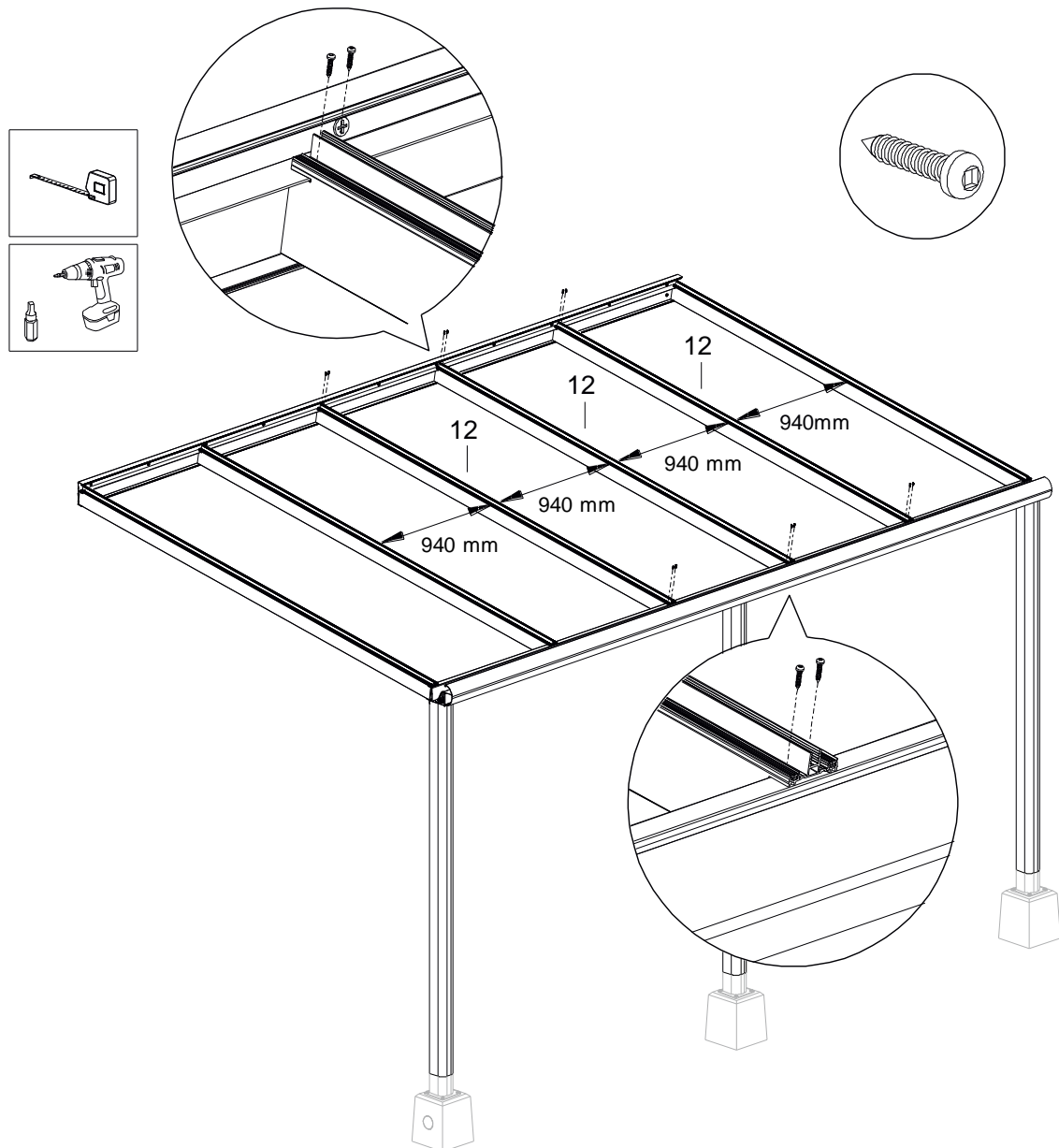
1. Carefully cut the pre-fitted rubber seals in the middle beams to size.
2. Place the first middle beam in the wall profile and gutter profile at the desired distance.
3. Screw the middle beam to both the gutter profile and wall profile with 2 short screws.

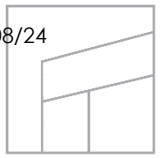




4. Then place the remaining middle beams in the wall profile and gutter profile at the desired distance.

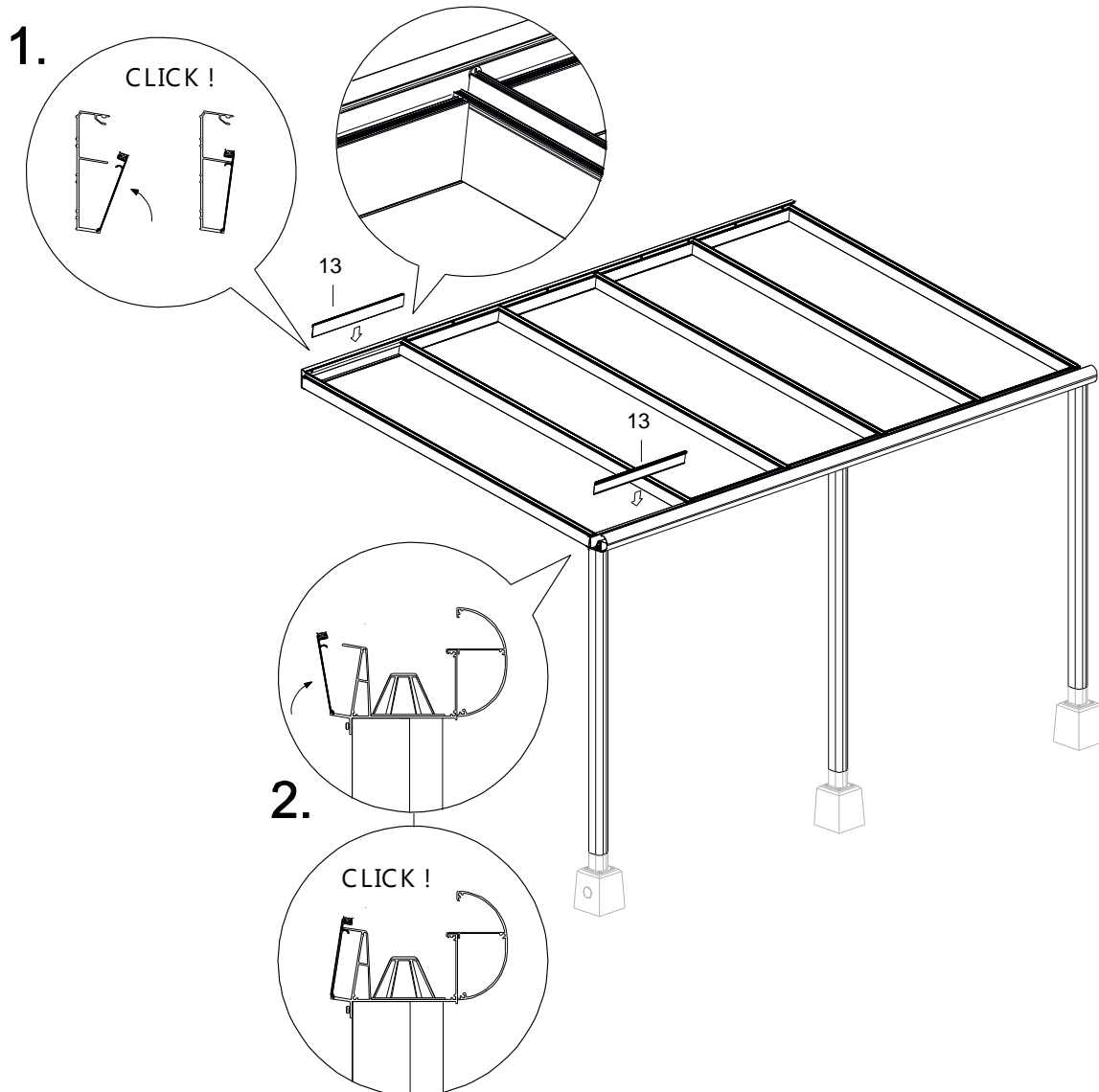
5. Screw the middle beams to both the gutter profile and wall profile with two short screws.

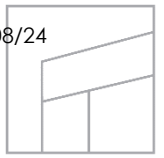




Note: if Deponti LED lighting is installed, make sure all the cabling is properly positioned and connected before the inside trim covers are fitted We recommend placing the transformer behind a trim click strip so it will be easily accessible for future service.

1. Place the inside trim covers on the wall profile.
2. Place the inside trim covers on the gutter profile.

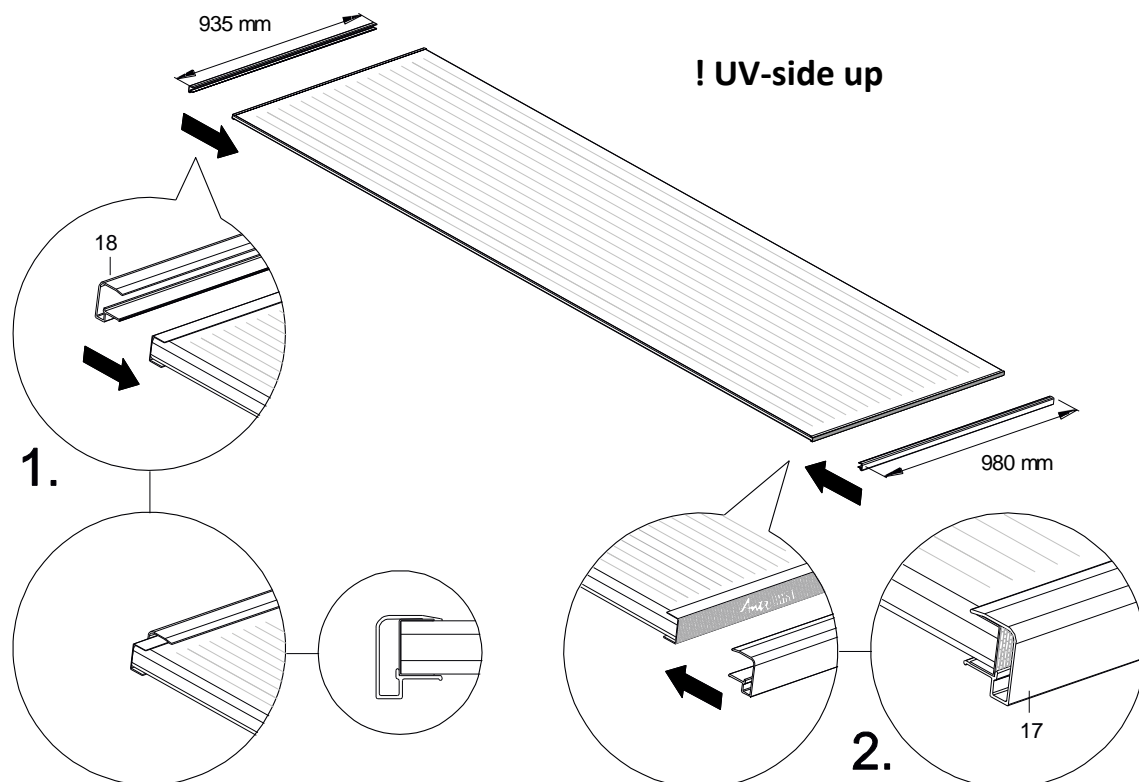


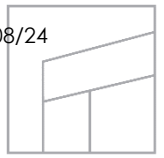


6.7 Preparing and installing the roofing sheets

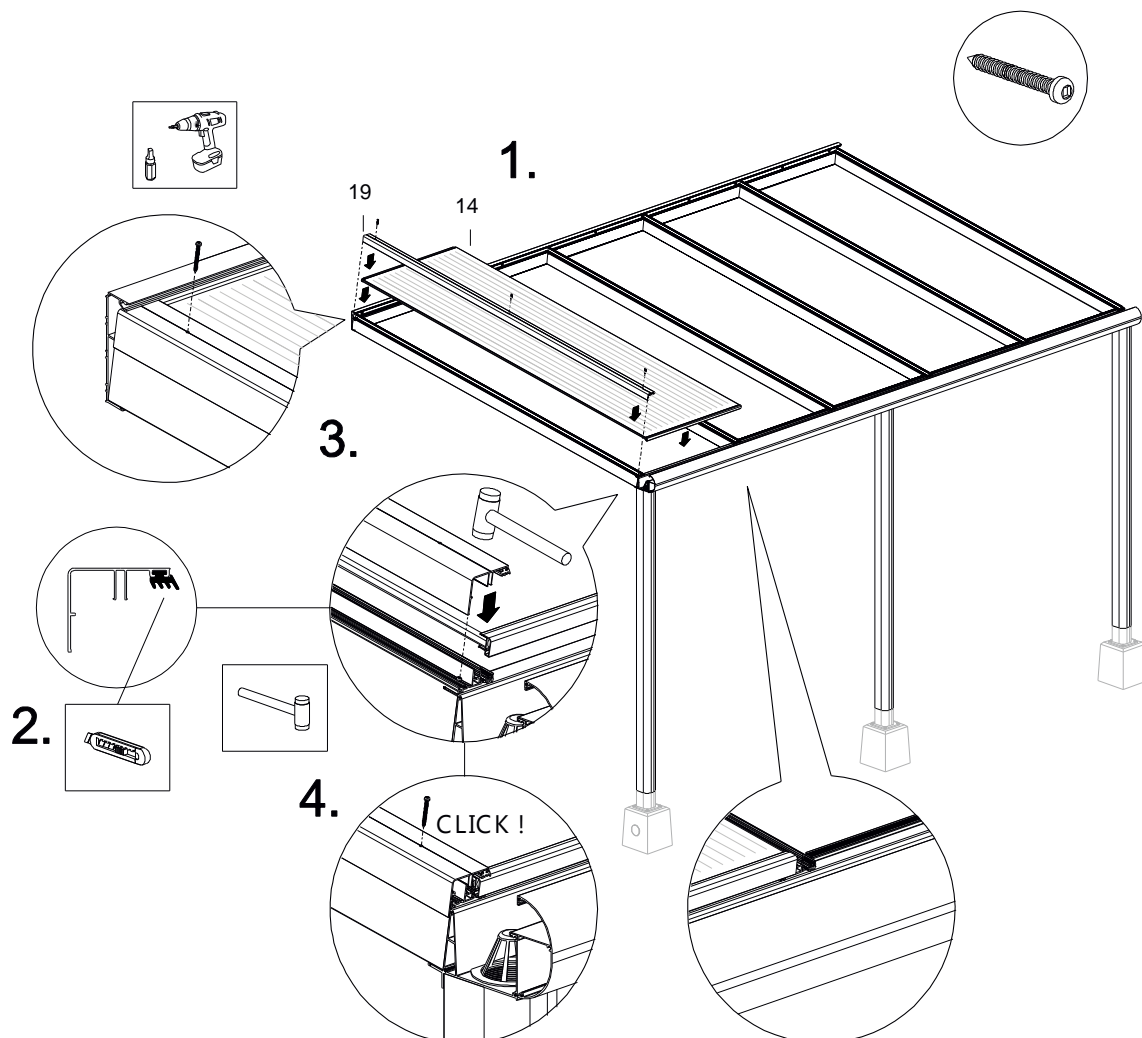
If you want to trim the width of the sheets, we recommend trimming off full 'chambers' whenever possible so the edges remain sealed. The roofing sheets can have a top and a bottom. The UV side must face up. This is indicated with a protective film on the sheets. Always place the correct side up.

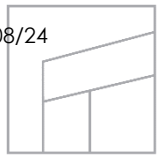
1. Place the short condensation profiles (935 mm) at the wall end of the roofing sheets, where the non-perforated anti-dust tape is located. Note: The tab of the profile must be on the bottom of the sheet.
2. Place the long condensation profiles (980 mm) at the gutter end of the roofing sheets, where the perforated anti-dust tape is located. These condensation profiles have pre-drilled holes for drainage of the condensation water.



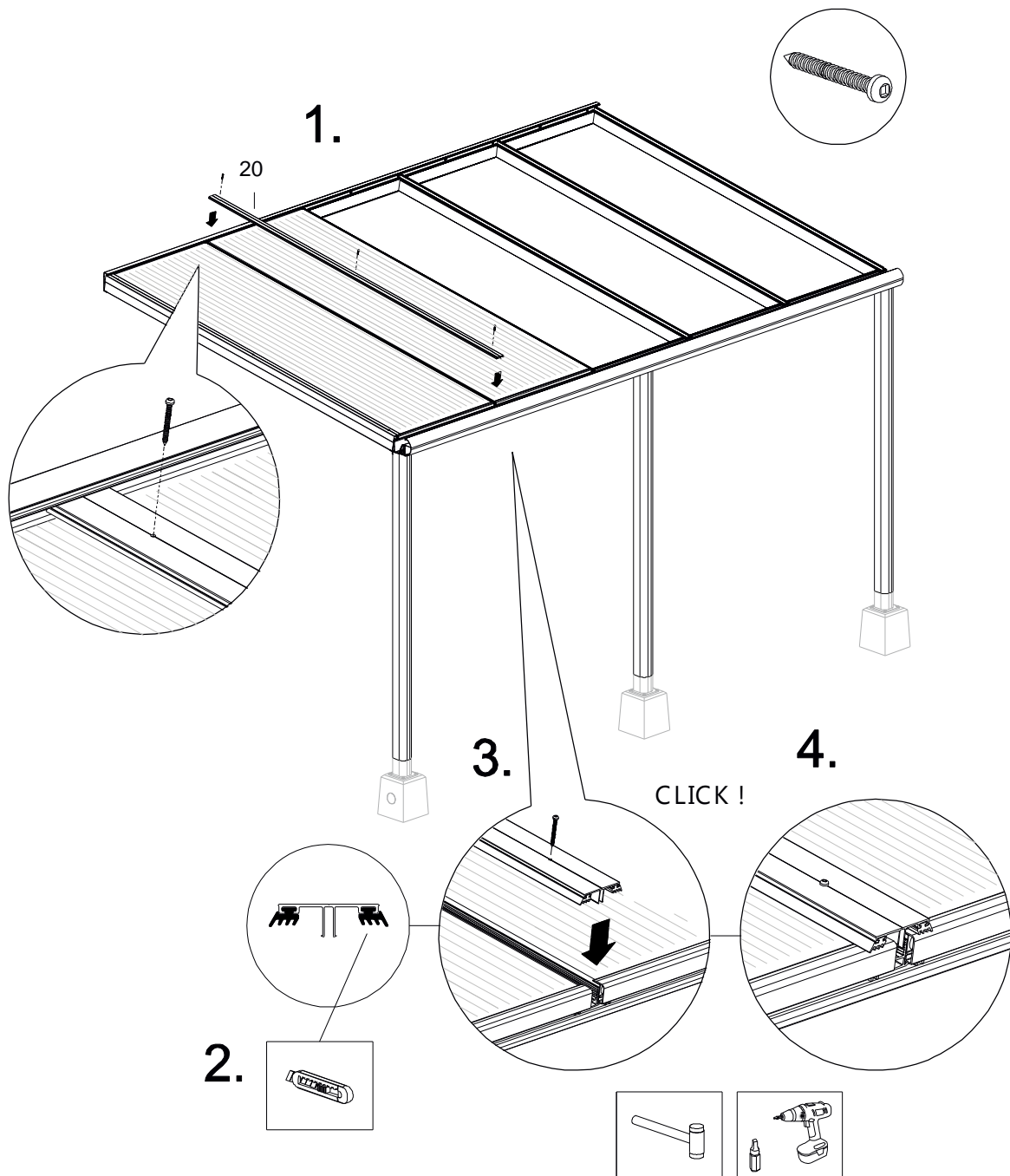


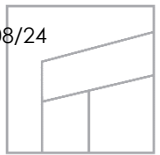
3. Place the first roofing sheet between the beams. **Note:** UV side up, the long condensation profile with the tab down and on the gutter side.
4. Carefully cut the pre-fitted rubber seals in the aluminium end cover strip to size.
5. Pre-drill the end cover strip with a 3 mm drill bit (1 top – 1 bottom – 1 middle).
Fit the end cover strip. Position the cover strip flush with the beam at the wall and gutter ends. At the wall end the cover strip fits just a bit under the wall profile for extra anchoring.
Once the strip is positioned correctly, click the trim click strip into the end beam (use a rubber mallet).
5. Now screw the end cover strip to three points on the end beam with long stainless steel screws (1 top – 1 bottom – 1 middle).



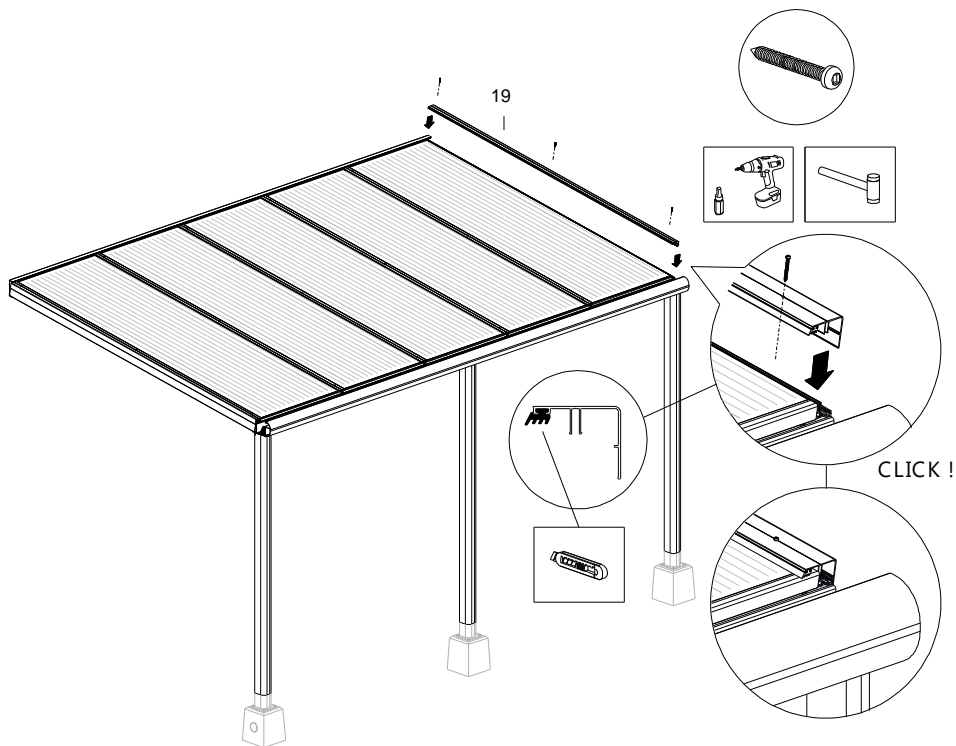


6. Place the second roofing sheet between the beams. **Note:** UV side up, the long condensation profile with the tab down and on the gutter side.
7. Carefully cut the pre-fitted rubber seals in the aluminium middle cover strip to size.
8. Pre-drill the middle cover strip with a 3 mm drill bit (1 top – 1 bottom – 1 middle).
Fit the middle cover strip. At the wall end the cover strip fits just a bit under the wall profile for extra anchoring. Once the strip is positioned correctly, click the trim click strip into the middle beam (use a rubber mallet).
9. Now screw the middle cover strip to three points on the middle beam with long stainless steel screws (1 top – 1 bottom – 1 middle).

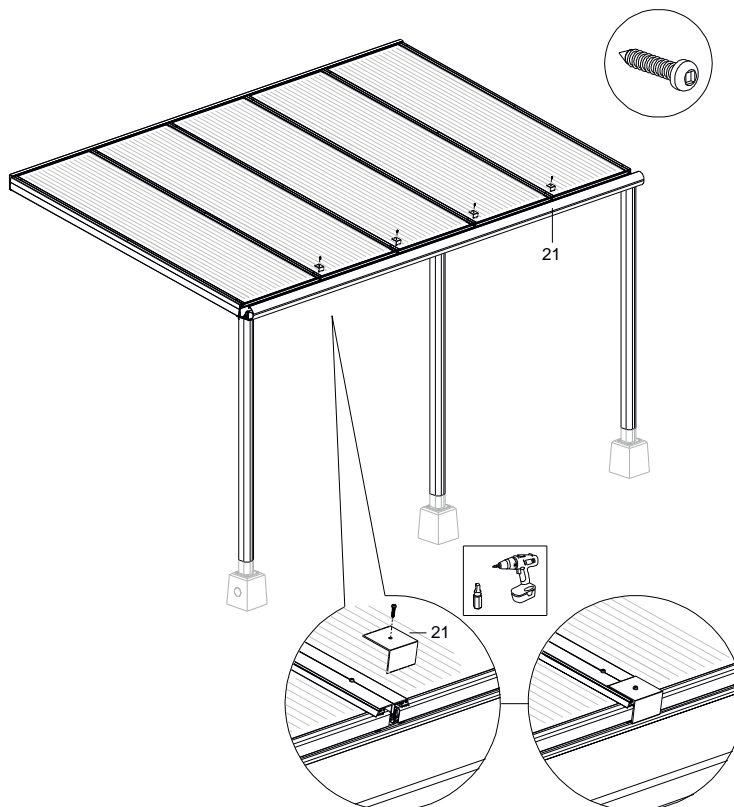




10. Repeat steps 1 to 4 on pages 29 & 30 for installation of the other cover strips.

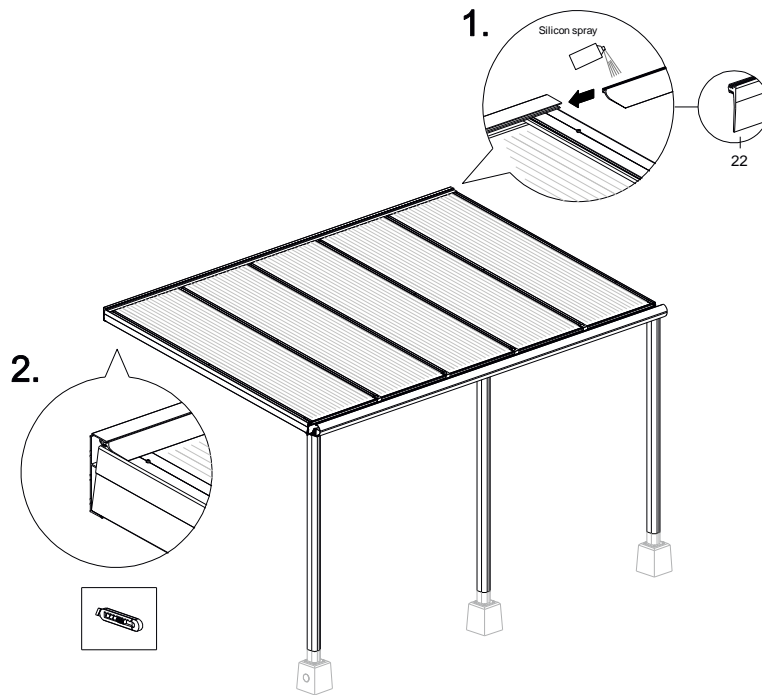


11. Now screw a sheet stopper at the gutter end of each middle beam to ensure secure attachment.
Note: securing the end cover strips comes later.

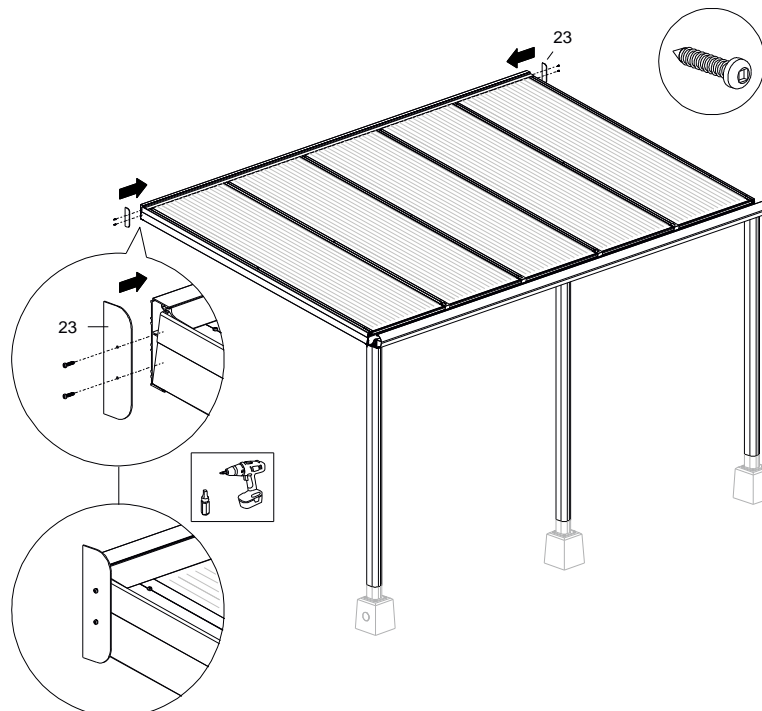


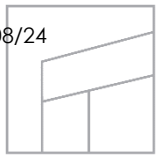
6.8 Finishing

1. Position the rubber strip in the wall profile properly so it covers the sheets and cover strips.
2. Carefully cut the rubber strip to size at both ends.

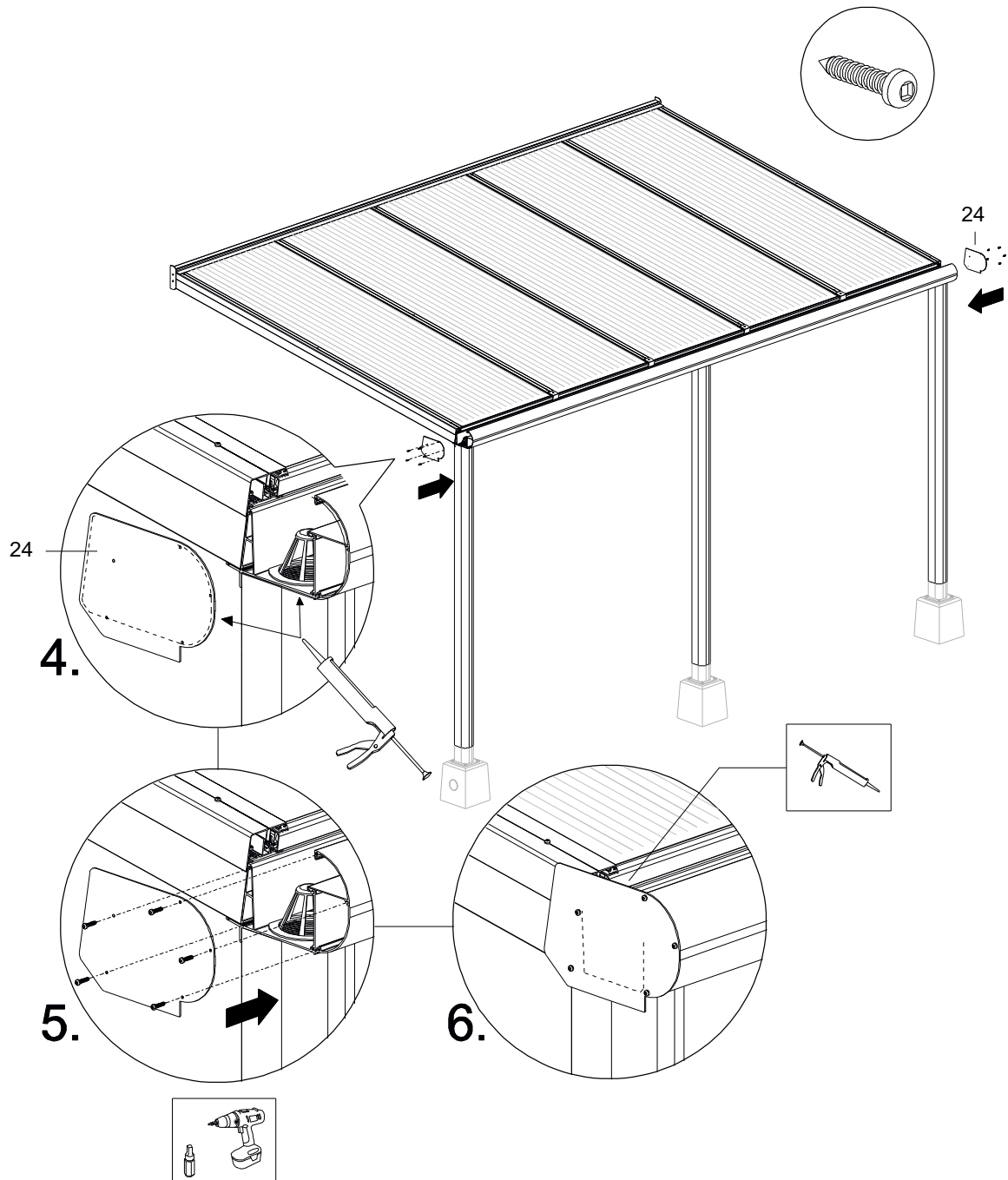


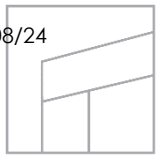
3. Screw the wall profile side cover onto wall profile with two short screws.



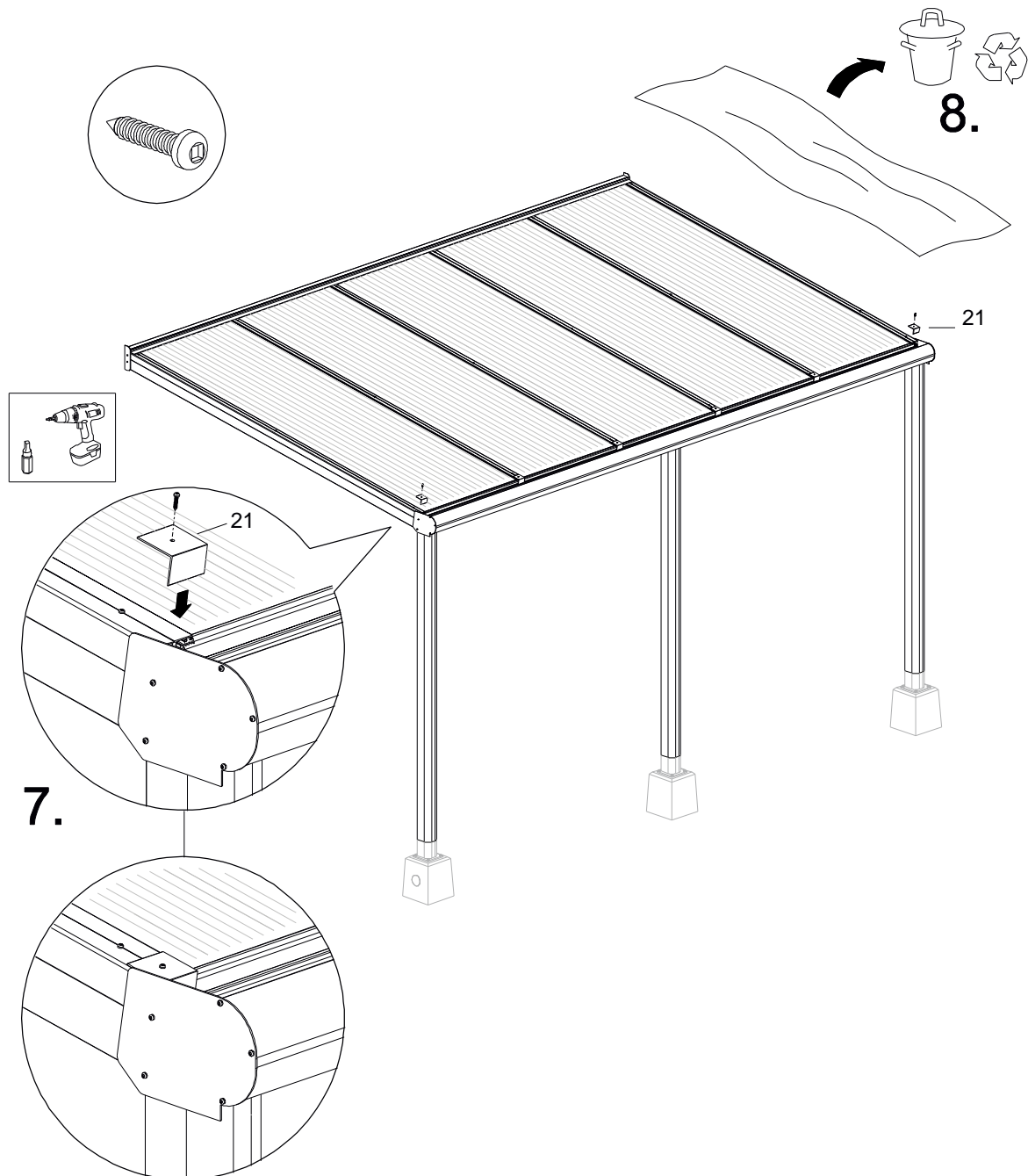


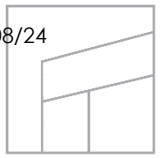
4. Apply sealant to both ends of the gutter profile and decorative profile.
5. Carefully screw the decorative profile side cover to the gutter profile and the decorative profile with the short screws in the guides provided for this purpose.
6. Apply sealant on the inside of the gutter so it is waterproof.





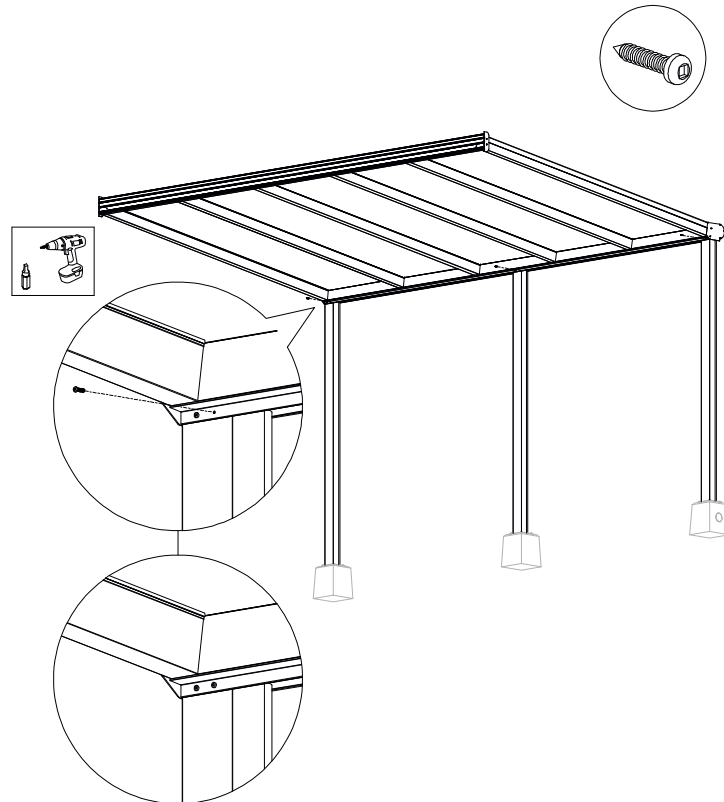
7. Now attach the sheet stoppers to the cover strips of the end beams with the short screws.
8. Remove the protective film from the roofing sheets and the aluminium parts.



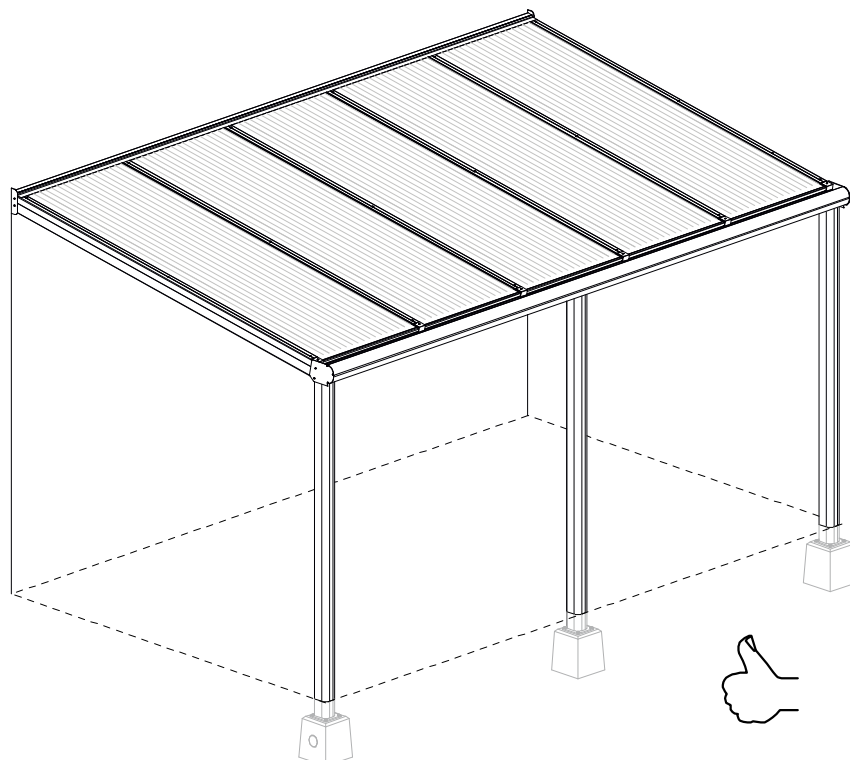


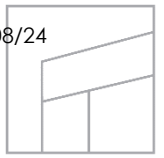
9. Secure your posts with the second short screw.

10. If there is a small gap between the top of the posts and the gutter you can seal it with sealant.



11. Congratulations! The roof is now finished!





7. Maintenance

We recommend that you maintain and clean your veranda at least once a year. Check whether the screw connections are tight. If not, tighten them firmly.

The aluminium profiles and roofing sheets that are dirty can be cleaned with lukewarm water and a cleaning product.

- Use a soft brush or sponge.
- Never use abrasives, aggressive solvents or a pressure washer.
- Wet first and rinse off with lots of water, and then wipe with a soft cloth.

8. Disposal of waste

Dispose of the product according to local laws and regulations.

9. Warranty conditions

Warranty in accordance with the warranty conditions and Deponti's general terms and conditions.

The powder coating has a 5-year warranty. Please note, the powder coating warranty of aluminum parts is two years when the product is placed in a place where it comes into contact with salty or chemical steam (such as harbors, coast and swimming pools).

10. Contact

IMPORTANT: Your Deponti partner is your first point of contact for questions and comments.