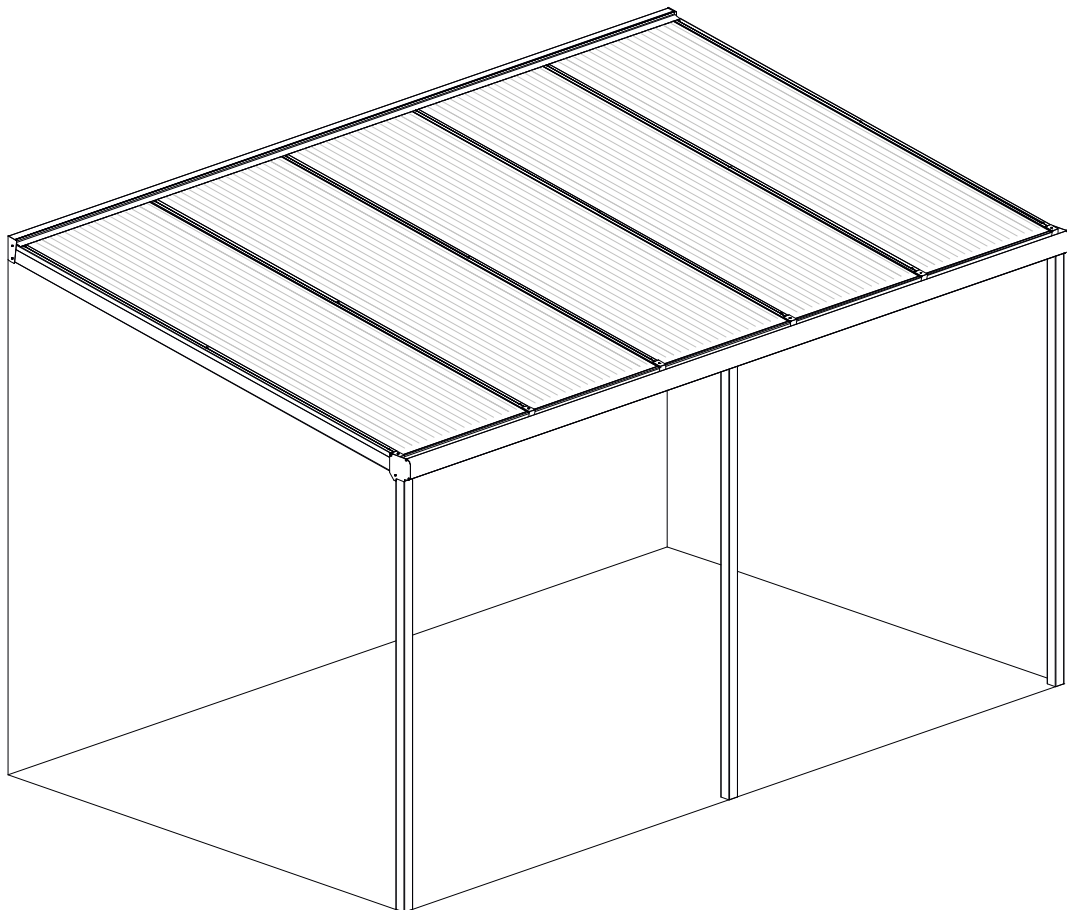
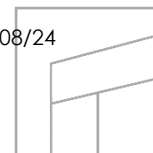


User manual / Assembly instructions Deponti Veranda

Type Nebbiolo

Version: EN – August 2023



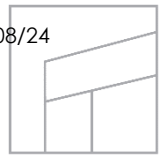


Contents

1. Introduction	3
2. Safety precautions and warnings	3
3. Product description	5
4. Parts overview	6
4.1 Exploded view	6
4.2 Delivery inspection	6
4.3 Parts list	7
5. Preparation for assembly	9
5.1 Conditions for assembly	9
5.2 Inspection of tools and accessories	11
5.3 Measuring & determining dimensions	12
5.3.1 Height adjustments	13
5.3.2 Roof length	13
5.3.3 Roof width	14
6. Assembly	15
6.1 Mounting the wall profile	15
6.2 Installing posts, gutter and end beams	17
6.2.1 Installing posts	17
6.2.2 Pre-drilling the gutter (option)	19
6.2.3 Installing the gutter	20
6.2.4 Installing the end beams	21
6.4 Installing the middle beams	23
6.5 Preparing and installing the roofing sheets	25
6.6 Finishing	29
7. Maintenance	33
8. Disposal of waste	33
9. Warranty conditions	33
10. Contact	33

KEEP THIS MANUAL IN A SAFE PLACE FOR FUTURE USE!

For the duration and the terms and conditions of the warranty we recommend that you contact your Deponti partner. We also refer you to our General Terms and Conditions of Sale and Delivery which are available on request. Deponti B.V. accepts no liability for any damage or injury resulting from a failure to carefully follow the instructions in this manual or exercise due caution during transport, assembly, use and maintenance of the veranda. As a result of our policy of continuous product improvement, certain product details may differ from what is described in this manual. For this reason the instructions provided only serve as a guideline for installation of the product this manual describes. This manual has been compiled with the utmost care, but Deponti B.V. cannot be held responsible for any errors in this manual or the consequences thereof. Furthermore, all rights are reserved and no part of this manual may be reproduced in any way whatsoever.



1. Introduction

Congratulations on the purchase of your Deponti Veranda!

Before you can start enjoying your Veranda it must be assembled properly. This manual provides clear instructions for all the steps you must complete for correct assembly of your Deponti Veranda. We recommend that you take the time to read the entire manual before you begin assembly. Check whether you have received all the necessary parts before you begin assembly. For your safety, follow all the applicable instructions. This also guarantees the safety of the installed roof. If you should have any questions, please feel free to contact your Deponti partner.



READ
CAREFULLY

This manual should be kept in a safe, dry and shady place. In the event of damage or loss, the user must request a new copy of the manual from the Deponti partner.

2. Safety precautions and warnings

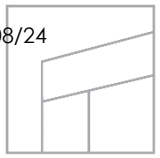
Important:



Please read the safety precautions and warnings before assembling the veranda.

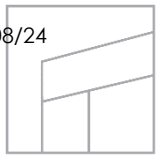
- During assembly, carefully follow the instructions and guidelines as described in this manual. Never change the order of the steps to be performed. If any aspect of the assembly procedure is unclear, please contact your Deponti partner. We reserve the right to make technical changes without written notice.
- We normally recommend that the veranda must be assembled by at least two people (qualified technicians/authorized installers) working together.
- Check the delivery immediately upon receipt. In the event of damage or an incomplete delivery please contact your Deponti partner immediately.
- The materials must be stored in a dry, ventilated area, not exposed to direct sunlight.
- Open the packaging carefully. Make sure that you do not damage the product.
- To prevent damage to your veranda, place the parts on a smooth, clean surface. Place the profiles on a flat surface, protected from sun and rain.





2. Safety precautions and warnings (continued)

- Adding or removing parts, the use or installation of materials. other than described in this manual, may adversely affect the safety of the veranda and is therefore strongly discouraged!
- Cordon off the assembly location so that others are kept at a safe distance.
- Always place a ladder on a firm, stable surface.
- Always wear the correct protective clothing (work gloves, dust mask, safety glasses, shoes with non-slip soles, etc.) during installation or servicing.
- Mount the system against a firm, flat wall and on a flat and stable foundation. Ensure that the wall and the ground are clean and dry.
- **Never** stand on the polycarbonate sheets.
The polycarbonate sheets are strong, but insufficiently resistant to point loads. Do not walk on them!
- Make sure all fasteners are properly tightened. Check this regularly.
- Make sure you have used sealant on the veranda so it is completely waterproof.
- You must maintain and clean your veranda at least once a year. During this yearly maintenance make sure all fasteners are properly tightened.
- Dispose the product in accordance with local laws and regulations.
- When safety regulations and instructions are not followed correctly, Deponti B.V. will not accept any responsibility for damage(s) and injuries.



3. Product description

The aluminium veranda type Nebbiolo is composed of posts, gutter profile, wall profile, beams, polycarbonate roofing sheets, cover strips and the necessary assembly materials.

The Deponti Nebbiolo veranda is available as standard in widths of 4045, 5045 or 6045 as a single section. The roof can have a projection of 2500, 3000 or 3500mm.

Details

Colours	RAL9001 / RAL7024
Gutter	standard half-round
Posts	Square (65x65mm)
Roof covering	Polycarbonate (Opal/Clear/Ultra-clear/Solar control)
Width (mm)	4045/5045/6045
Projection (mm)	2500/3000/3500

A Nebbiolo veranda can be installed on any existing foundation or stone surface. For extra stability optional base plates can be used. These base plates can be fastened to the foundation with two ground screws. The posts can be easily attached to the base plates with two screws.

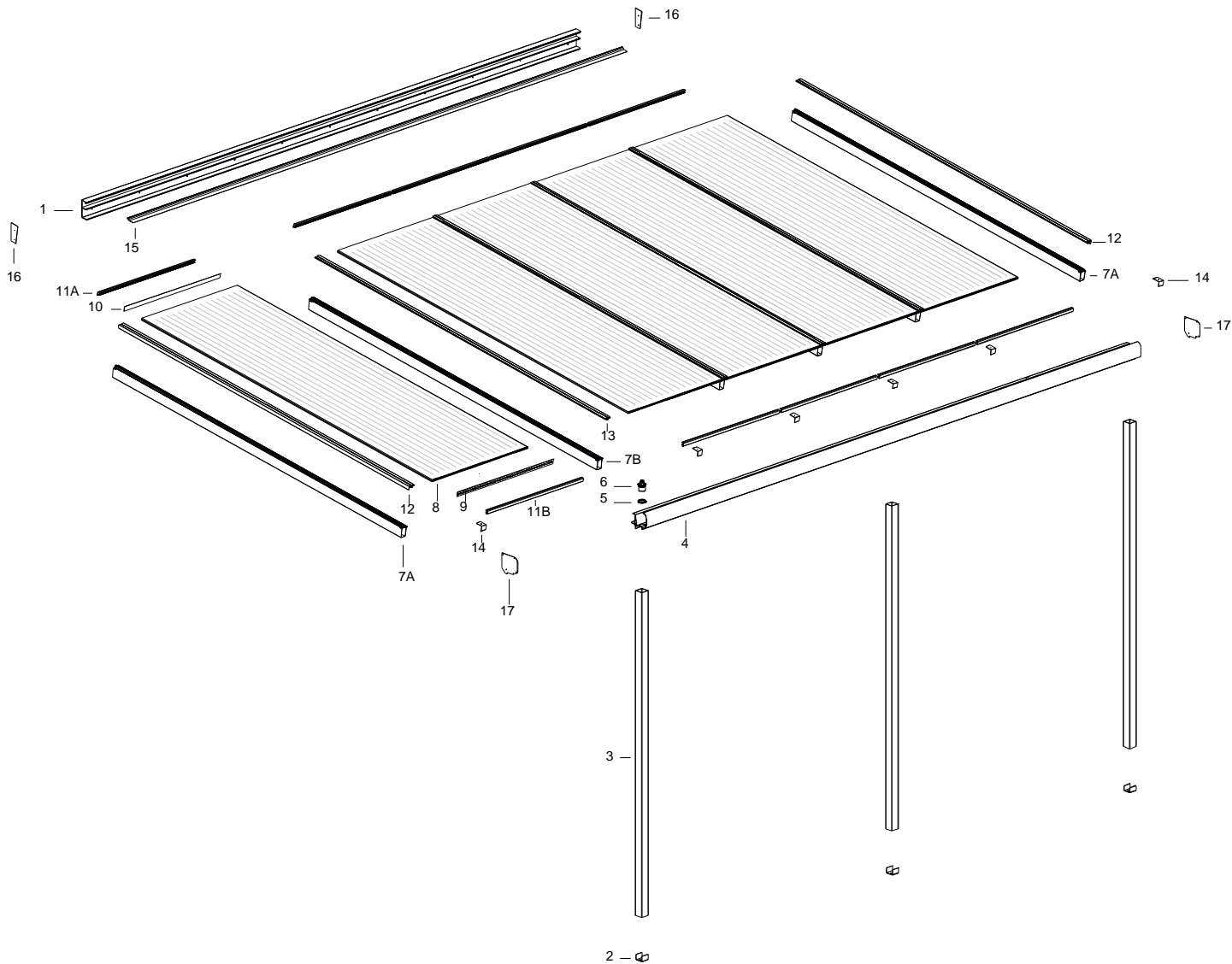
Note: The type of fastener to be used for ground attachment depends on the type of surface (steel, concrete or wood). Which types of fasteners are to be used must be determined by the installer, so fasteners are not included.

Rainwater discharge

The Nebbiolo veranda can be easily fitted with rainwater discharge by drilling one or more holes at the position where the post meets the gutter. The post then serves as rainwater discharge pipe. A range of rainwater discharge fittings are available for further connection (EPDM rubber drain ring, 50/60 mm leaf catcher, 60 mm rainwater discharge pipe and bend). Your Deponti partner can provide you with more information about this.

4. Parts Overview

4.1 Exploded view



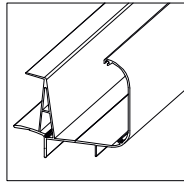
4.2 Delivery Inspection

The veranda shown in this manual is a 5x3 metre Nebbiolo. This merely serves as an example. The type and number of components supplied depends on your order.

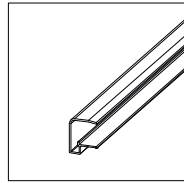
Note: Always carefully check the delivered items against the accompanying delivery note to ensure that the quantity and quality are correct. Any visible defects must be reported in writing within 7 days of delivery.

4.3 Parts list

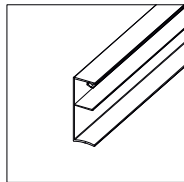
The following overview shows which parts are packed together. Carefully check the individual packaging units against the order form for quantity and quality.



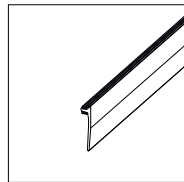
04. Gutter



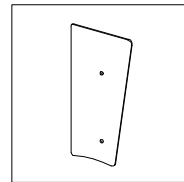
11A/B. Condensation profile



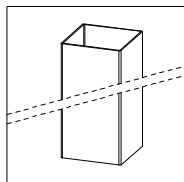
01. Wall profile



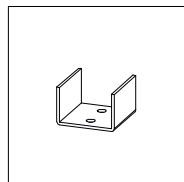
15. Wall profile rubber



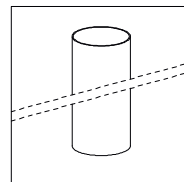
16. Side cover wall profile



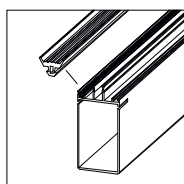
03. Post square



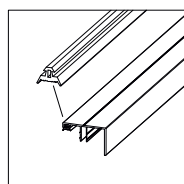
02. Base plate (option)



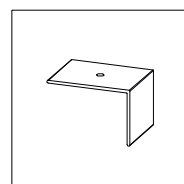
Rainwater discharge pipe 60 mm



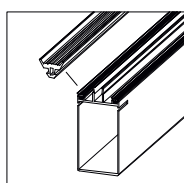
07A. End rafter
1x sealing rubber



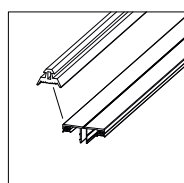
12. End cover strip
1x sealing rubber



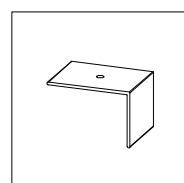
14. Sheet stopper



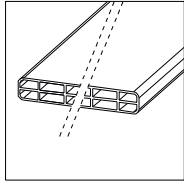
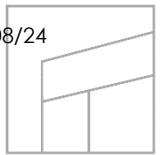
07B. Middle rafter
2x sealing rubber



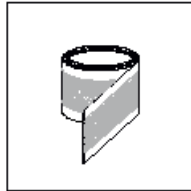
13. Top cover strip
2x sealing rubber



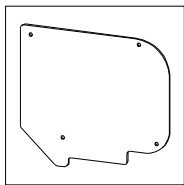
14. Sheet stopper



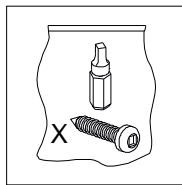
08. Polycarbonate Sheet 980 mm



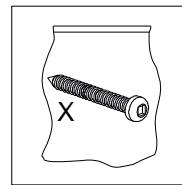
09. Anti-dust tape (Perforated)



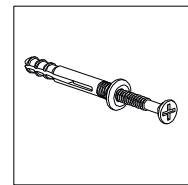
17. Side cover gutter profile



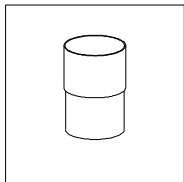
1x bag of screws short 4.2x16 + bit



1x bag of screws long 4.2x40

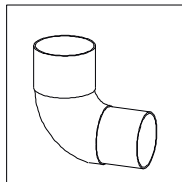


1x set frame fixing screws

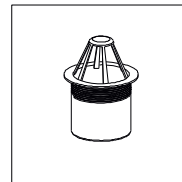


Rainwater discharge sleeve (option)

or

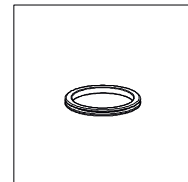


90° rainwater discharge sleeve (option)

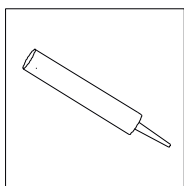


06. Leaf catcher 50/60 mm (option)

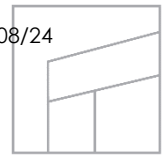
or



05. EPDM rubber drain ring (option)



1x coloured sealant



5. Preparation for assembly

5.1 Conditions for assembly

- **Note:** The optimal processing temperature for the sealant is +5 °C to +40 °C.

Ground & façade

- A good flat stable surface is required for construction of the veranda.
- The location where the roof will be placed must be construction-ready and free of obstacles (garden furniture, flower boxes, etc.) so installers can perform their work without hindrance.
- Any obstacles, including utility lines (such as power cables, etc.), roots and debris, must have been removed from the ground.
- The façade must be free of sun shades, etc.
- The place where the wall profile will be placed must be firm, even and flat.

Dimensions & slope

- This Deponti roof should be installed with a slope of 15,7cm per metre. The height of the wall profile and the passage height (distance from bottom of gutter to the ground) are completely dependent on each other and determined by this slope.
- The maximum length of the roof is 4 metres. However, keep in mind the requirements concerning the maximum free span and number of posts.

Posts & joined verandas

- Maximum distance between the posts is 4 metres.
- When verandas are joined, a post is always placed under the coupling.
- The rainwater discharge cannot be placed inside a post above which gutters are joined.

Attachments at walls

- Due to expansion of the materials, the veranda may not be placed tightly between two walls; there must be a gap of 1.5 mm per metre of width of the veranda.
- When concrete bases are used the posts cannot be placed against the wall, because the block is wider than the post.
- If you want to place a post against a wall, you must saw the flange off of one side and drill two new holes in the flange so that you can secure the post in four places.

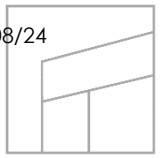
Screws and drilling

- Deponti supplies special 4.2x19 mm and 4.2x40 mm stainless steel screws with the veranda.
Note: Pre-drill a hole for each screw with a 3 mm drill bit!



If you continue to turn them after they are tight, the screw head may break off. It is recommended that you screw carefully, with the torque limiter on your drill set properly.

- **Note: Never** drill and screw through the PVC rainwater discharge pipe in one of the posts.



5.1 Conditions for assembly (continued)

Sealant

- Deponti supplies sealant in the colours RAL9001 and RAL7024. This supplied sealant has been specially selected for the waterproof sealing of aluminium to aluminium or to most common construction materials, such as walls, concrete, etc. Follow the instructions on the tube.



- **Note:** This sealant is not suitable for sealing the polycarbonate sheets. If you need to seal your sheets, because you have a rainwater discharge (downspout) pipe run through it for example, we have special transparent sealant in our range.

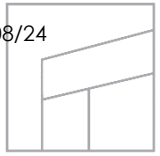
Rubber seals

- A Deponti veranda is standard equipped with pre-assembled, colour-matched rubber seals. Before installation, the rubber seals for both the aluminium cover strips and the beams must be cut to length.
- If the rubber seals are deformed, they can be straightened again with a little heat, from a hot air heater or hair dryer for example.

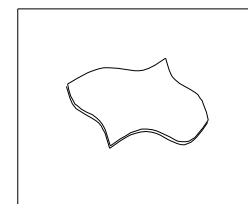
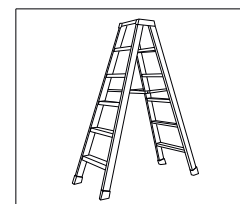
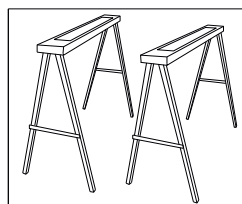
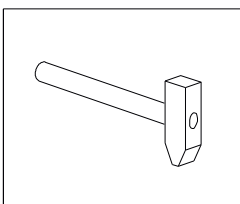
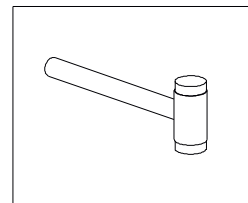
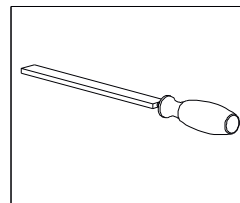
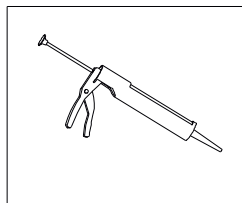
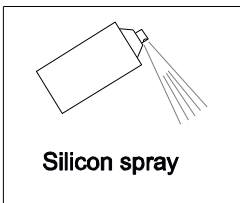
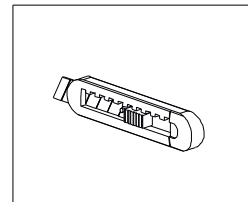
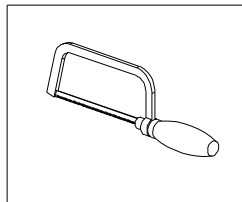
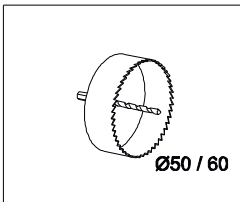
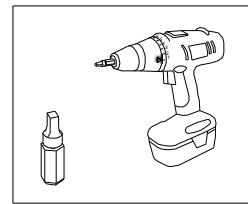
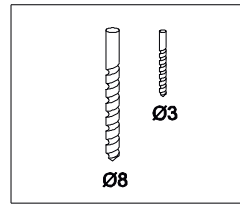
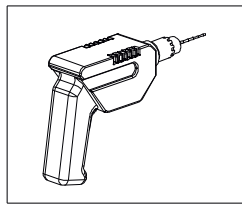
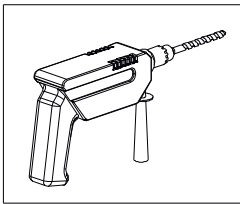
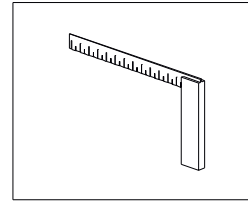
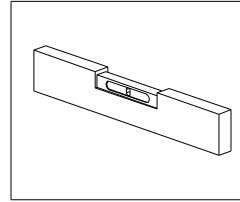
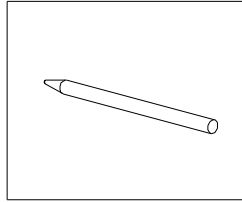
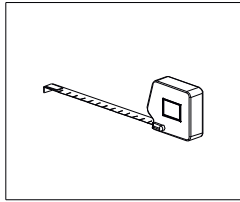
Remove protective film

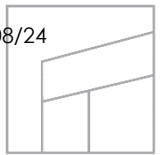
- It is recommended that the protective film be removed from the aluminium parts and the roofing sheets at the last possible moment, to prevent damage. When mounting the roofing sheets, however, the edges of the protective film must be pulled back a few centimetres towards the middle of the sheet so the film does not get stuck in the profiles; otherwise it will be difficult to remove later.

Warranty is void if the Nebbiolo veranda is not assembled and installed in accordance with the instructions.



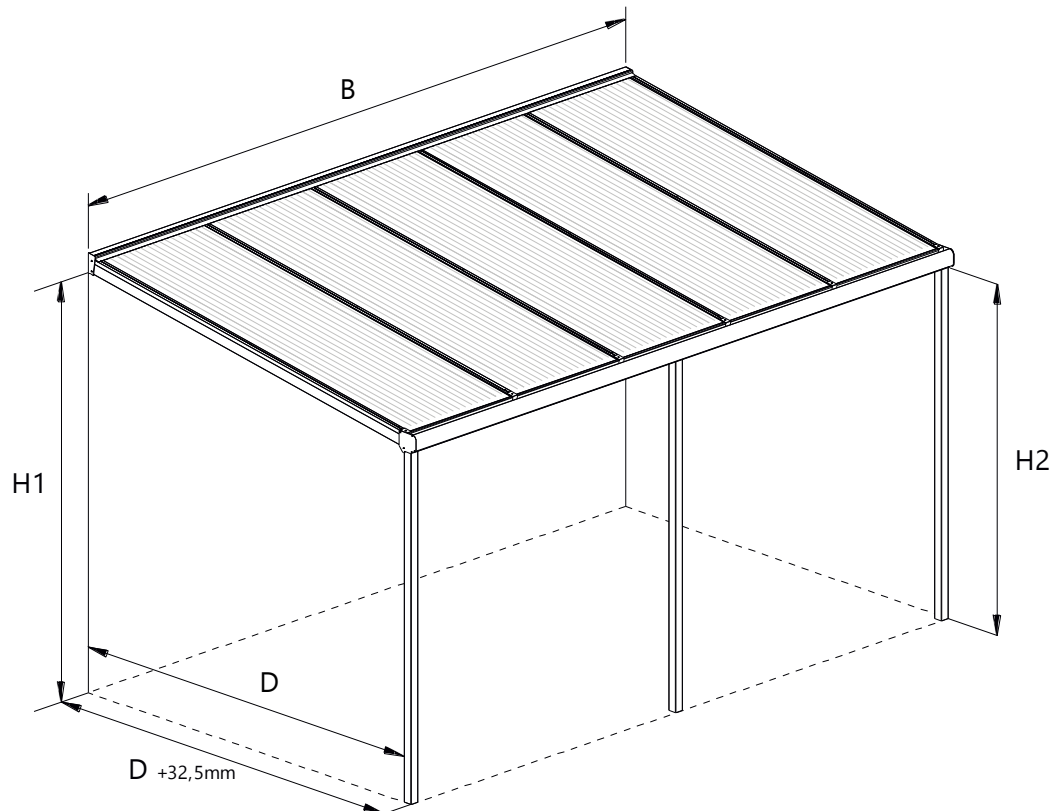
5.2 Inspection of tools and accessories



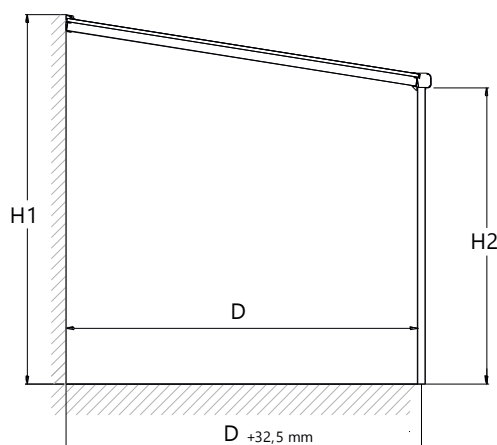


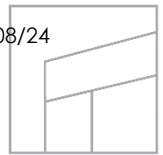
5.3 Measuring & determining dimensions

The Deponti veranda is available in a large range of sizes. Moreover, the roof has a modular design and can be quickly and easily made to size. However, please note that our current and future modular options are based on standard sizes. If you do not install your roof using the standard sizes, your options will also have to be adapted to size.



- B: Length of wall profile and gutter profile.
 H1: Height from ground to bottom of wall profile.
 H2: Height from ground to bottom of gutter profile (= passage height).
 D: Distance from back of wall profile to inside of post
 D + 32,5 mm: Distance from back of wall profile to centre of rainwater discharge





5.3.1 Height adjustments

A Deponti veranda is designed for a slope of 15,7cm per metre. All the static strength calculations, as well as all sizes and dimensions in this manual, are based on this.

The height of the wall profile and the passage height (distance from bottom of gutter to the ground) are completely dependent on each other and determined by this slope.

However, these heights can be adjusted very easily while maintaining the slope.

If you are going to install your veranda based on the standard dimensions, you can use the dimension table below.

Projection	Beam length	Distance from back of wall profile to inside of post (D)	Height from ground to bottom of gutter profile (H2)	Height from ground to bottom of wall profile (H1)
2.5 meter	247 cm	244 cm	250 cm	288 cm
3 meter	297 cm	293 cm	250 cm	296 cm
3.5 meter	347 cm	343 cm	250 cm	304 cm

If you choose to place the wall profile lower or make the passage height of the gutter lower, you must:

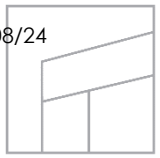
Subtract the same number of centimetres from both of these measurements. So if your wall profile is mounted 30 cm lower, you must also shorten your posts by 30 cm.

If you want to reduce the passage height, you can easily shorten the length of the posts by making a square cut. However, you must then also mount the wall profile the same distance lower on the wall. The same applies if you decide to mount the wall profile lower on the wall.

Calculation example 1: You have a roof with a length of 300 cm and you want to reduce the standard passage height from 250 cm to 220 cm. You therefore shorten your posts by 30 cm or you place the posts 30 cm in the ground, so the bottom of your gutter is at a height of 220 cm. Your wall profile must therefore be lowered by 30 cm, which means that the bottom of the wall profile must be placed at 296 cm - 30 cm = 266 cm.

5.3.2 Veranda projection

The basic dimensions of a Deponti canopy are approximate. The exact dimensions from the rear of the wall profile to the inside of the upright can be found in the table above. Example: A 3 metre drop canopy is not exactly 3 metres. Check the table above for exact sizes in centimetres.



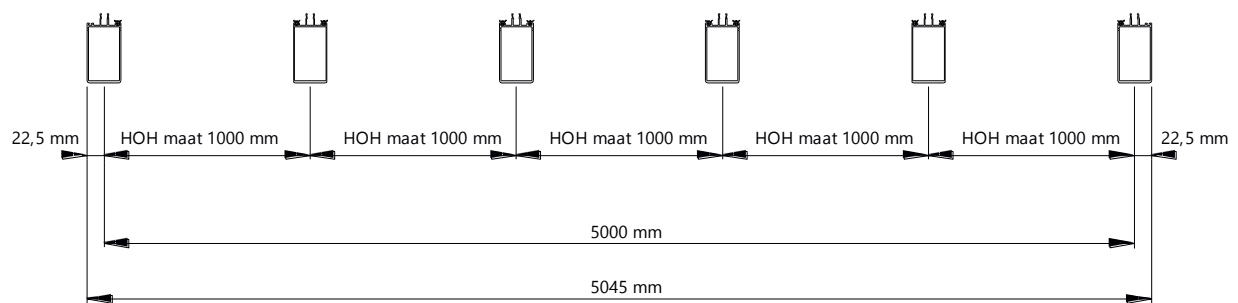
5.3.3 Veranda width

Deponti verandas can be delivered in three standard widths.

The gutter profile and wall profile are supplied in multiple lengths of 4045, 5045 or 6045 mm.

The centre-to-centre distance between the beams of a Deponti veranda is 1000 mm (1 metre).

A roof with five one-metre sections has a total width of 5045 mm. The extra 45 mm is the distance from the centre of the beam to the outside of the beam, which is 22.5 mm; this extra width is at both ends, for a total of 45 mm.



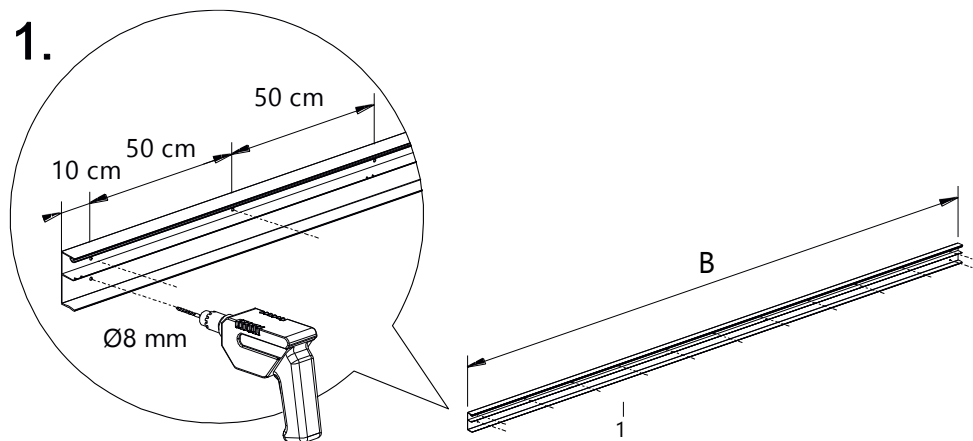
When standard size sheets are used, the total width of the roof must therefore also end with 45 mm, e.g. 4045, 5045 or 6045 mm.

6. Assembly

6.1 Mounting the wall profile

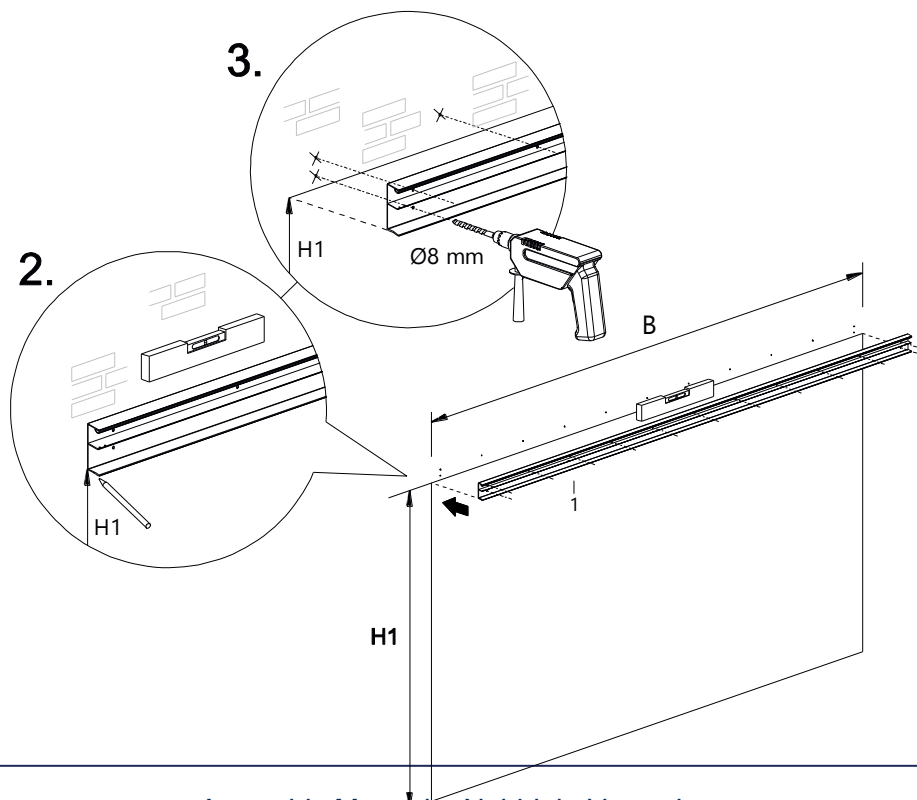
If the wall profile does not need to be shortened, you can mount it straight away. Otherwise you must first cut the wall profile to the desired length. Do not place the supplied rubber strip in the wall profile yet; this rubber strip is fit in place after mounting.

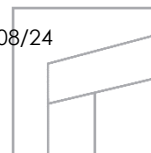
1. Drill holes in the wall profile at 50 cm intervals. Begin approximately 10 cm from one end and finish approximately 10 cm from the other end. Use a metal drill bit with a diameter of 8 mm.



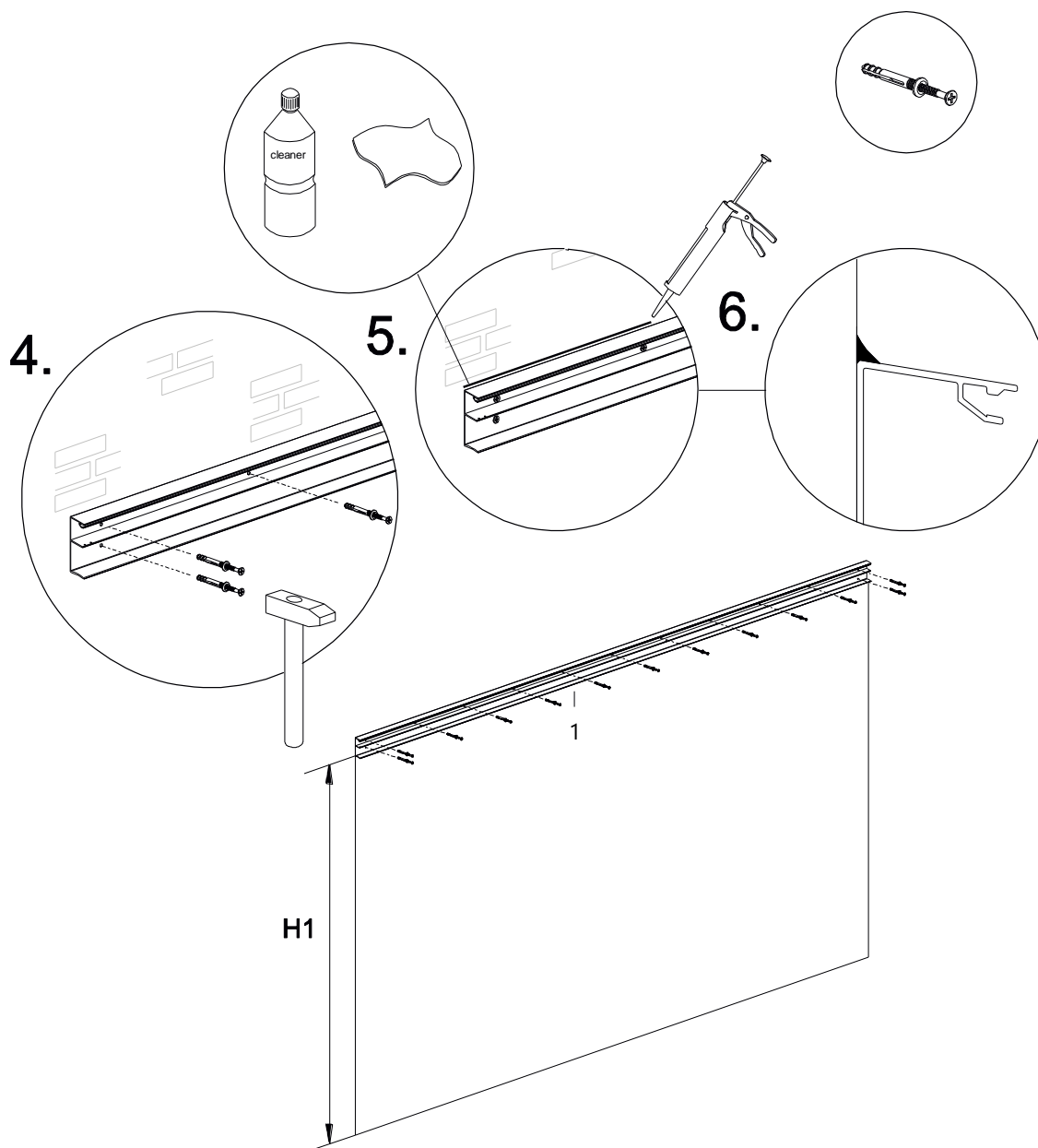
2. Now mark the wall with a line to indicate where the bottom of the wall profile should be. Place the wall profile on the line and then mark the holes that you pre-drilled in your wall profile.

3. Now use a concrete drill bit with a diameter of 8 mm to drill the holes. Make sure the wall profile is level.





4. Fasten the wall profile with the supplied frame fixing screws (these should only be used if appropriate for the wall material).
5. Degrease the top edge of the wall profile along the wall.
6. Apply sealant the top edge of the wall profile (between the wall and the wall profile) to make a good seal. Strike off the sealant to make it smooth and waterproof.



6.2 Pre-installing the gutter, posts and end beams

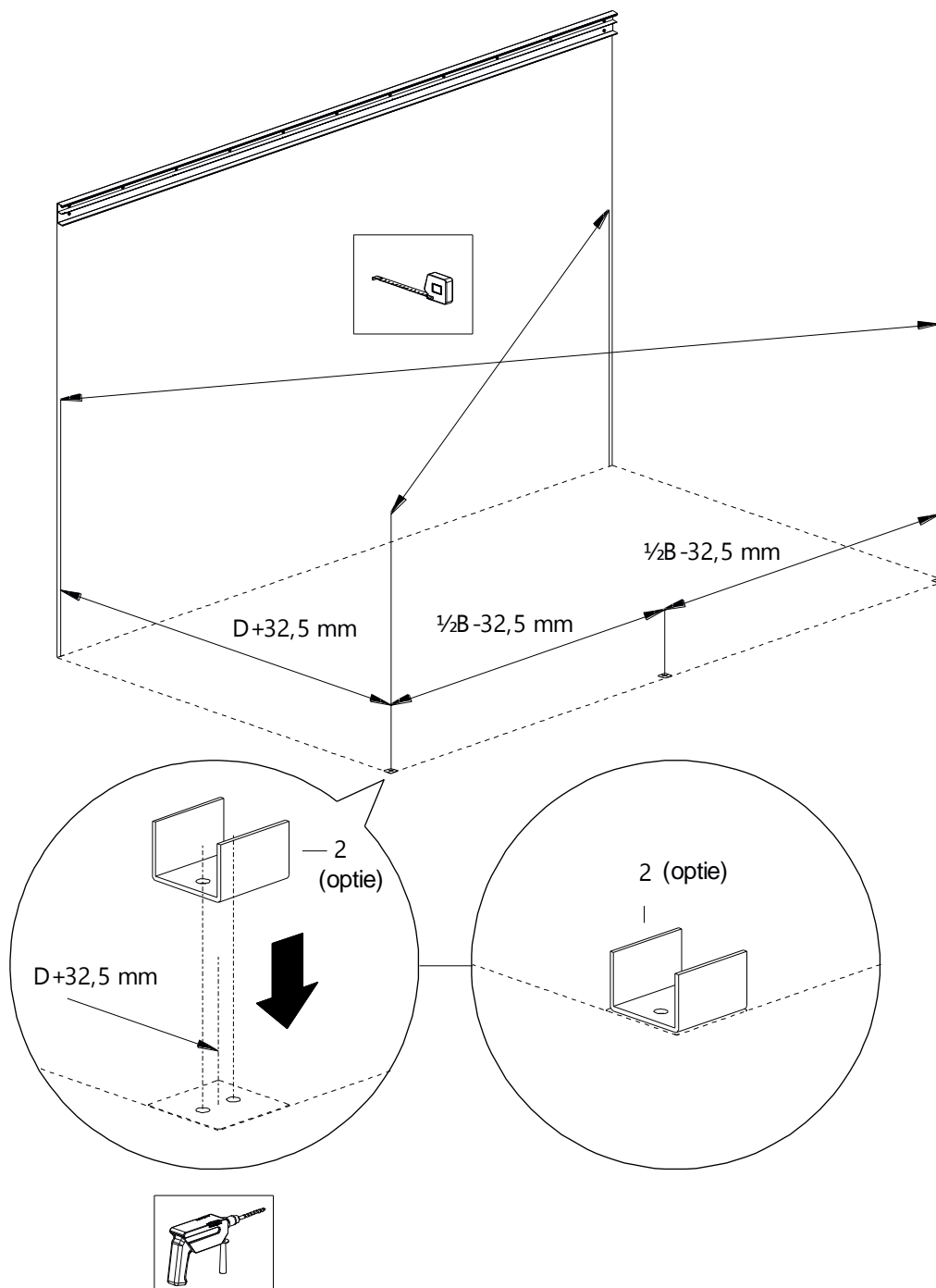
6.2.1 Installing posts

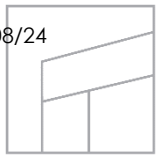
Determine the positions of the posts and the rainwater discharge post on the ground.

Now mark a line on the ground to indicate the centre point of the posts, at a distance of $L + 32.5$ mm from the rear of the wall profile.

If you are using the optional base plates, position these at the centre of the posts. Make sure that the base plates are positioned perfectly square and level.

Now drill holes in the ground and attach the base plates with two suitable ground screws.



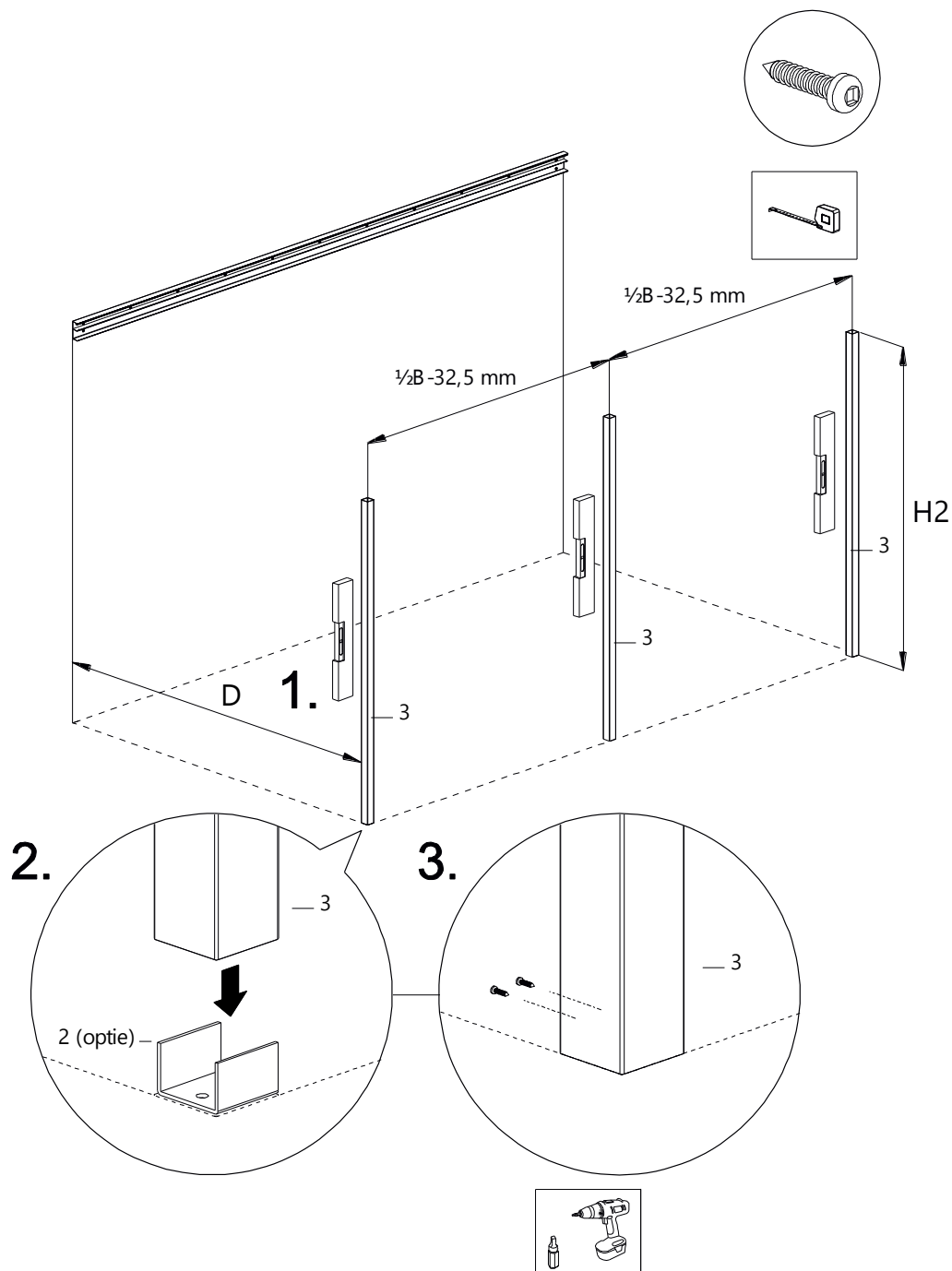


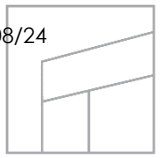
1. Place the posts and the rainwater discharge post at the marked positions on the ground.
 2. If you are using optional floor plates, place the posts over the (U-shaped) floor plates. Make sure the posts are level.
 3. Attach the posts to the floor plates with two screws.
- Note:** Place the screws on the back side of the posts so they are out of sight.

Option: Rainwater discharge

Use the hole saw to drill the hole for the rainwater discharge at the desired height near the bottom of the rainwater discharge post. Place the 90° rainwater discharge sleeve in this hole in the rainwater discharge post.

Place the PVC rainwater discharge pipe in the rainwater discharge post and connect it to the 90° rainwater discharge sleeve.





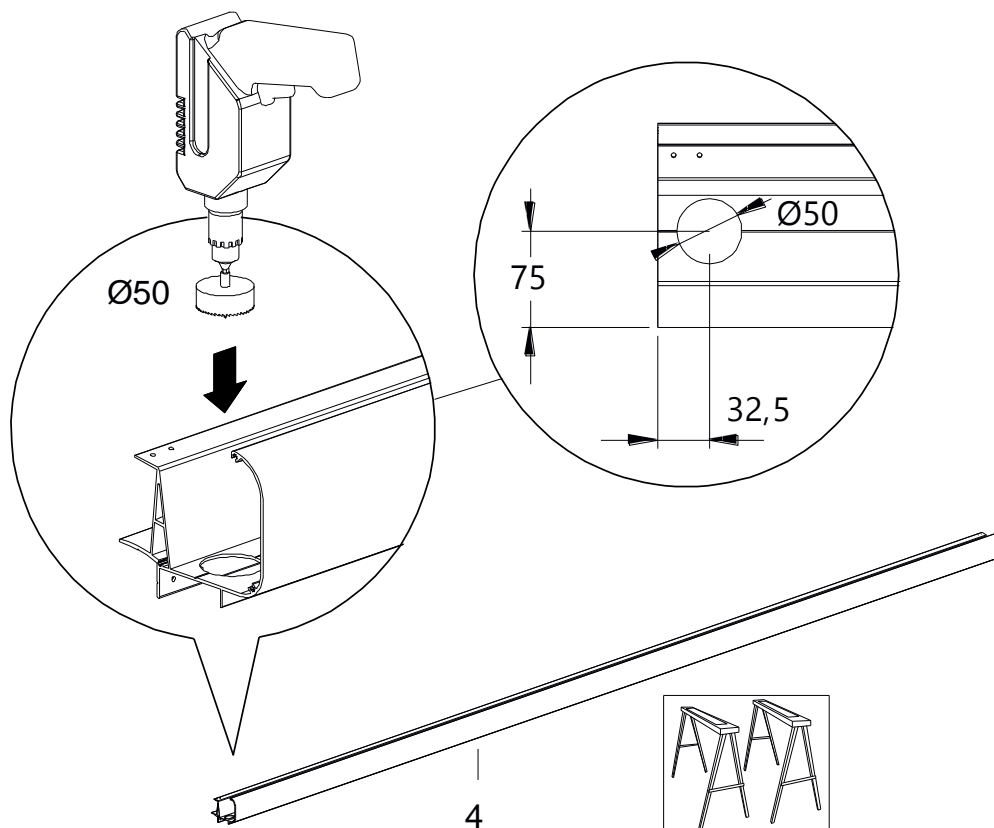
6.2.2 Pre-drilling the gutter

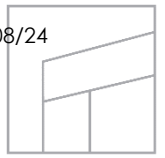
If the standard gutter length is correct, you can pre-drill and install it straight away. If not, you must first cut the gutter profile to the desired length.

Pre-drilling hole(s) in the gutter profile for rainwater discharge

The rainwater discharge can be easily achieved by drilling one or more holes in the gutter at the position where the post meets the gutter. The post then serves as rainwater discharge pipe. A range of rainwater discharge fittings are available for further connection (EPDM rubber drain ring, 50/60 mm leaf catcher, 60 mm rainwater discharge pipe and bend).

1. Place the gutter flat and firm on a table or sawhorses.
2. Determine where the rainwater discharge post (and optional leaf catcher or EPDM rubber drain ring) will be placed, i.e. at the left or right end of the gutter. Mark the position and dimensions of the hole for the leaf catcher or EPDM rubber drain ring in the gutter.
3. Now carefully drill the hole in the gutter with the hole saw ($\varnothing 50-60$ mm).
4. Fit the optional leaf catcher or EPDM rubber drain ring in the hole.



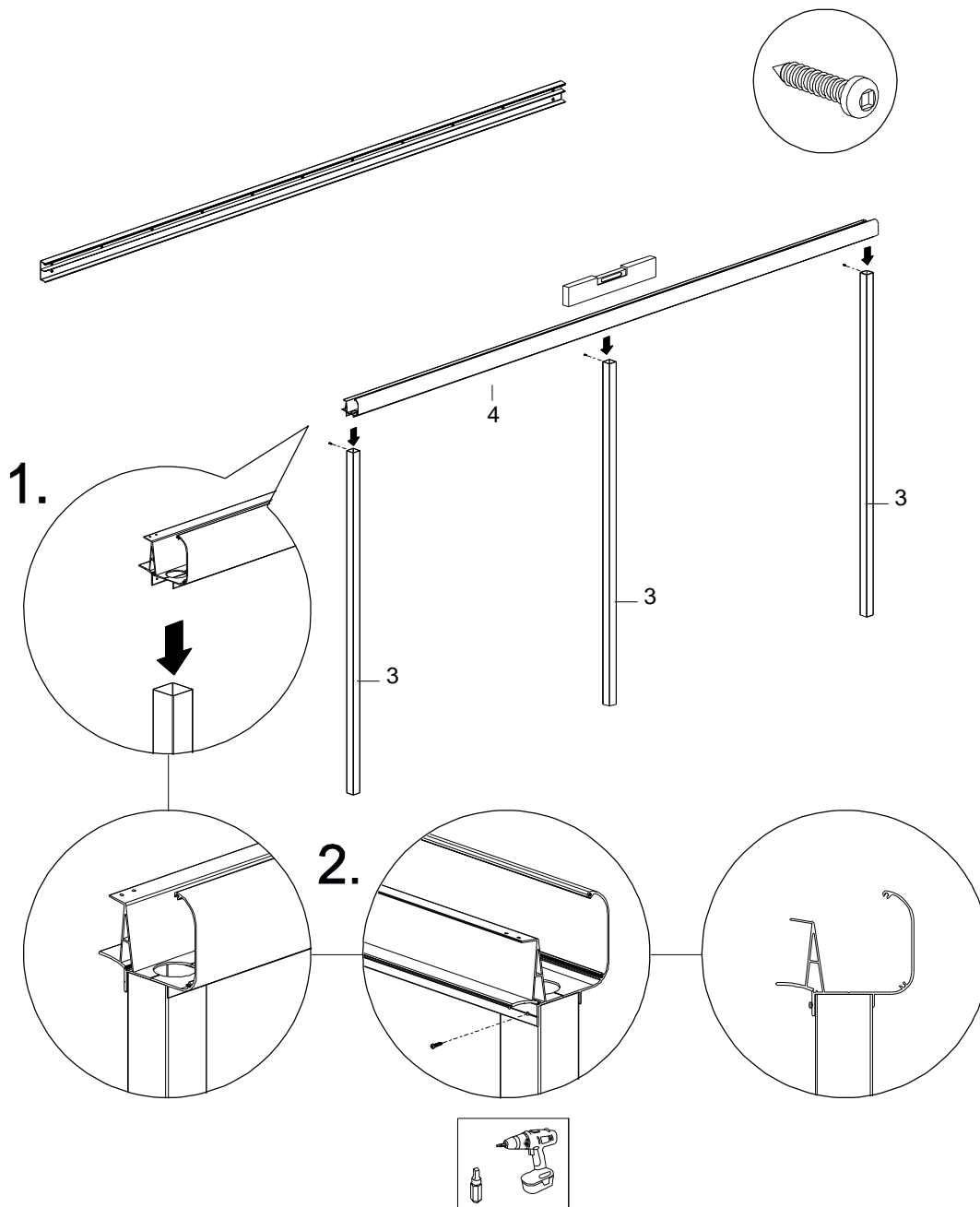


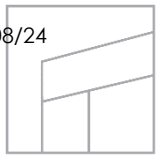
6.2.3 Installing the gutter

1. Now place the gutter profile on the posts. Make sure the optional leaf catcher is positioned properly in the PVC rainwater discharge pipe inside the post.

2. Screw the posts to the gutter with one short screw through the lower lip of the gutter profile and into the post. This way you can adjust the position of the gutter later, if necessary.

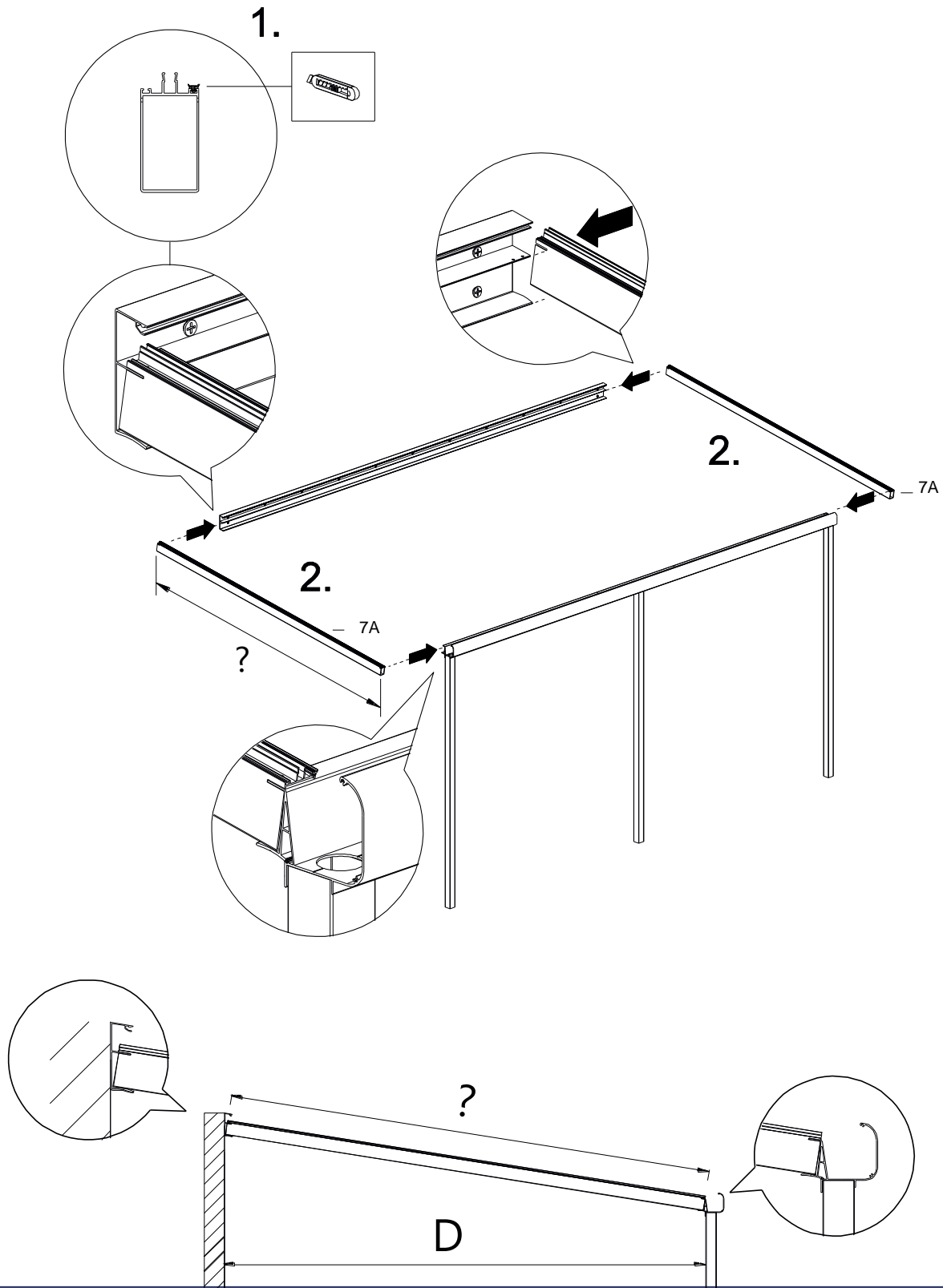
Note: ultimately the posts will be secured with two screws. The first screw should not be placed in the middle of the post but rather approximately a third of the way in from the edge. Be careful not to drill and screw through the PVC pipe in one of the posts!

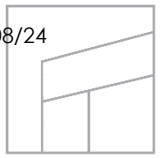




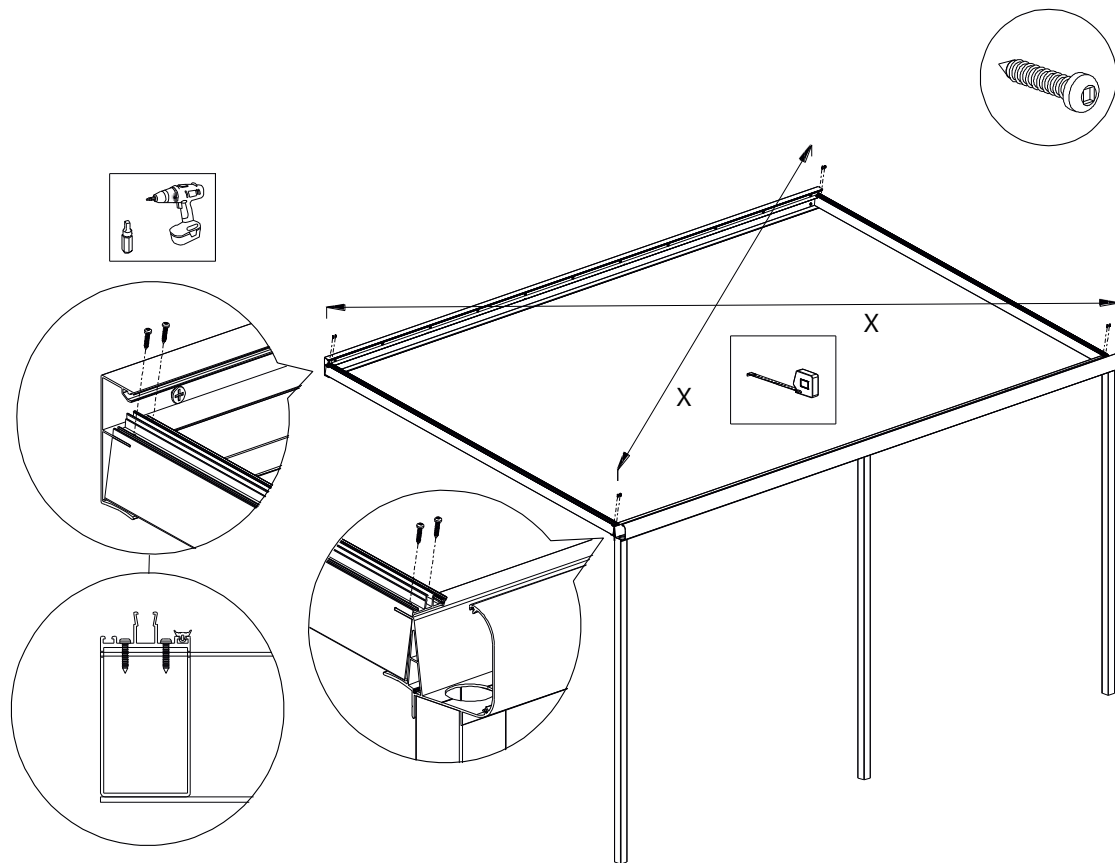
6.2.4 Installing the end beams

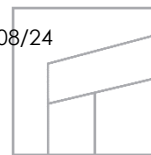
1. Carefully cut the pre-fitted rubber seals in the end beams to size.
2. Place the left and right end beams in both the gutter profile and the wall profile, one by one. Make sure that the outer edges of the end beams are flush with the ends of the gutter profile and wall profile.





Screw the end beams to both the gutter profile and wall profile from the top with one short screw per end. Make sure the roof is completely square. Secure the end beams with the second screw.



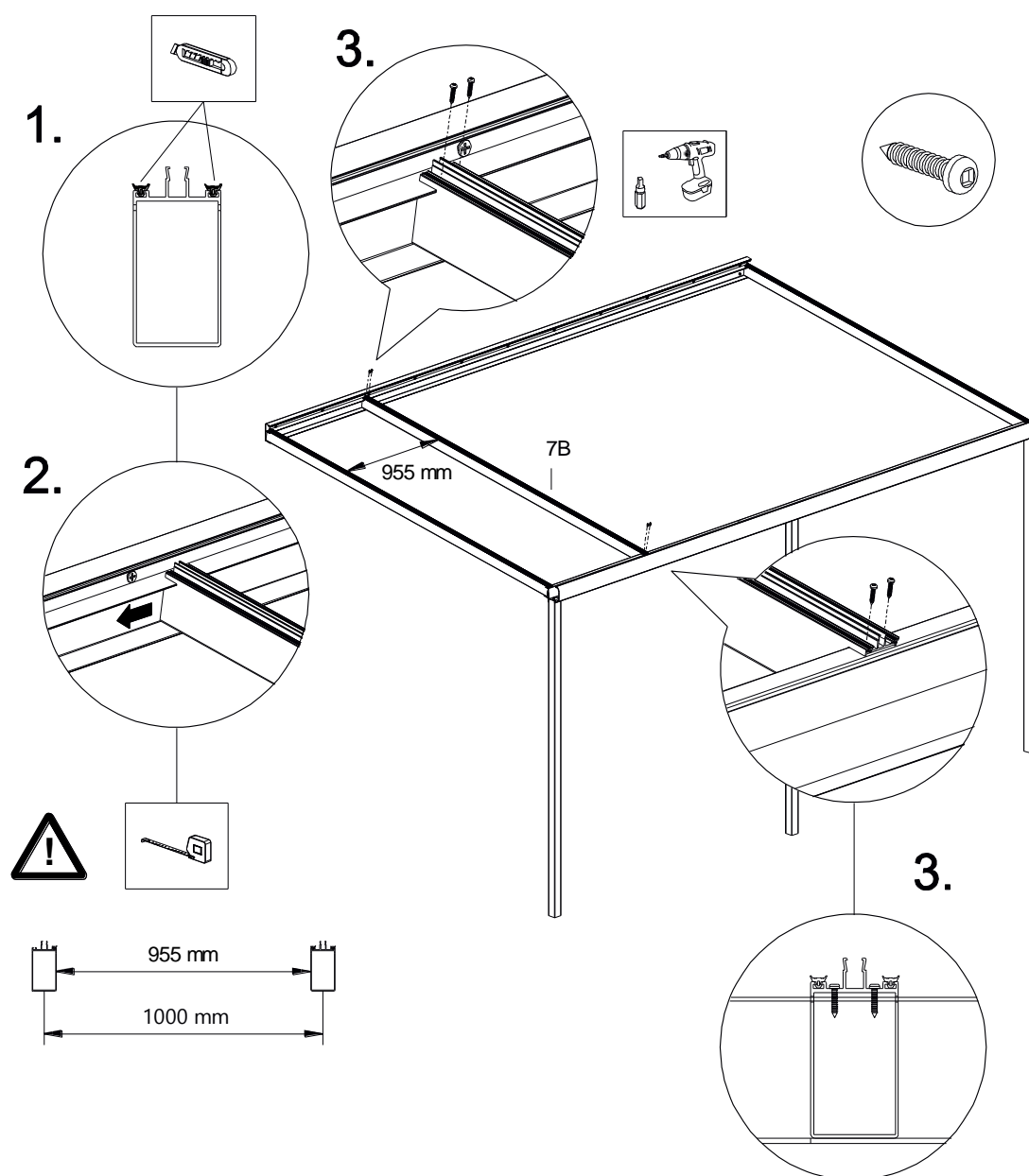


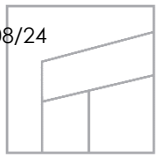
6.3 Installing the middle beams

Note: if you install Deponti LED lighting, we recommend performing the installation before placing the middle beams.

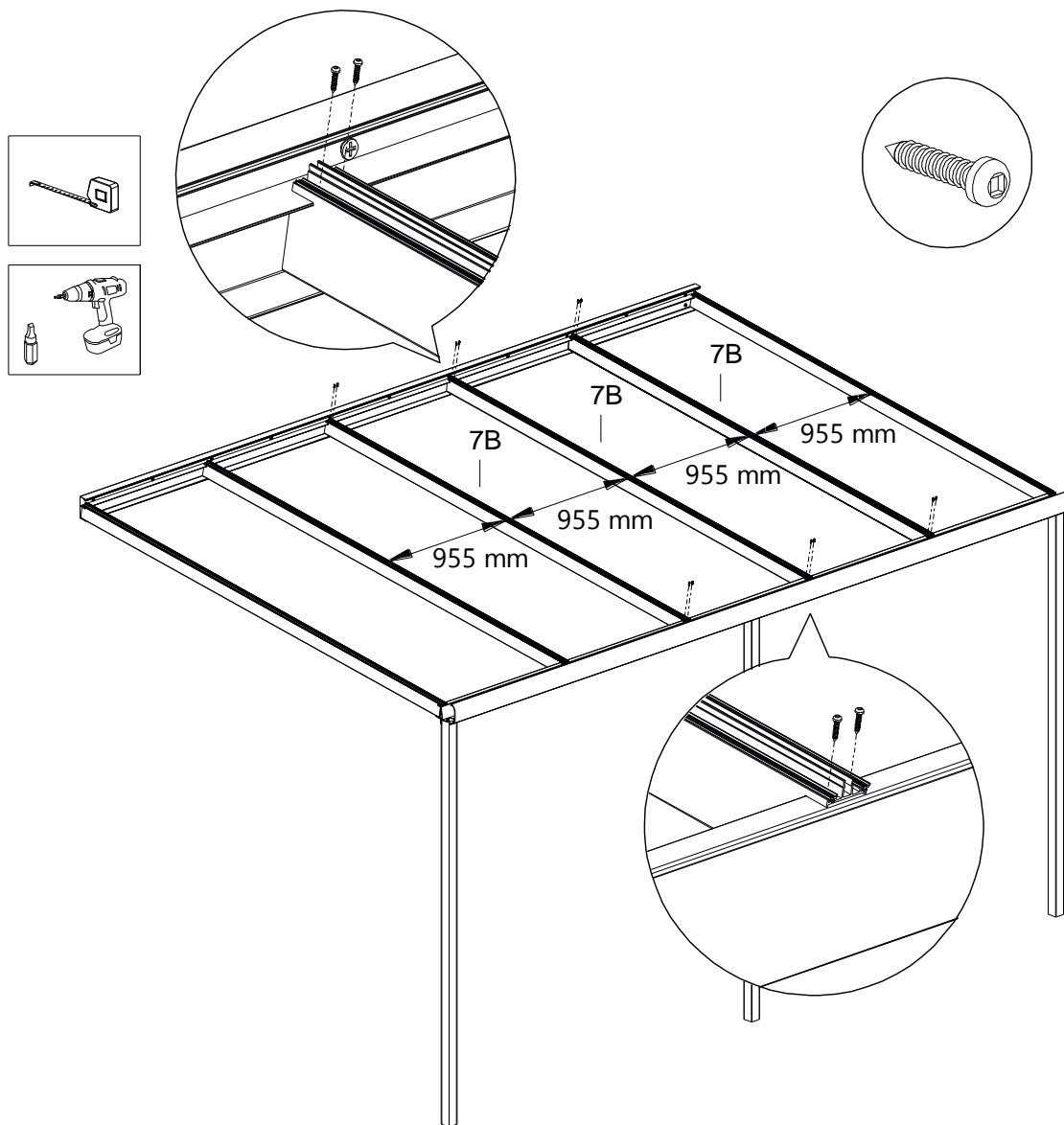
The standard element width is 98 cm, so the middle beams will be spaced exactly 100 cm centre to centre.

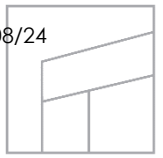
1. Carefully cut the pre-fitted rubber seals in the middle beams to size.
2. Place the first middle beam in the wall profile and gutter profile at the desired distance.
3. Screw the middle beam to both the gutter profile and wall profile with 2 short screws.





4. Then place the remaining middle beams in the wall profile and gutter profile at the desired distance.
5. Screw the middle beams to both the gutter profile and wall profile with two short screws.





6.4 Preparing and installing the roofing sheets

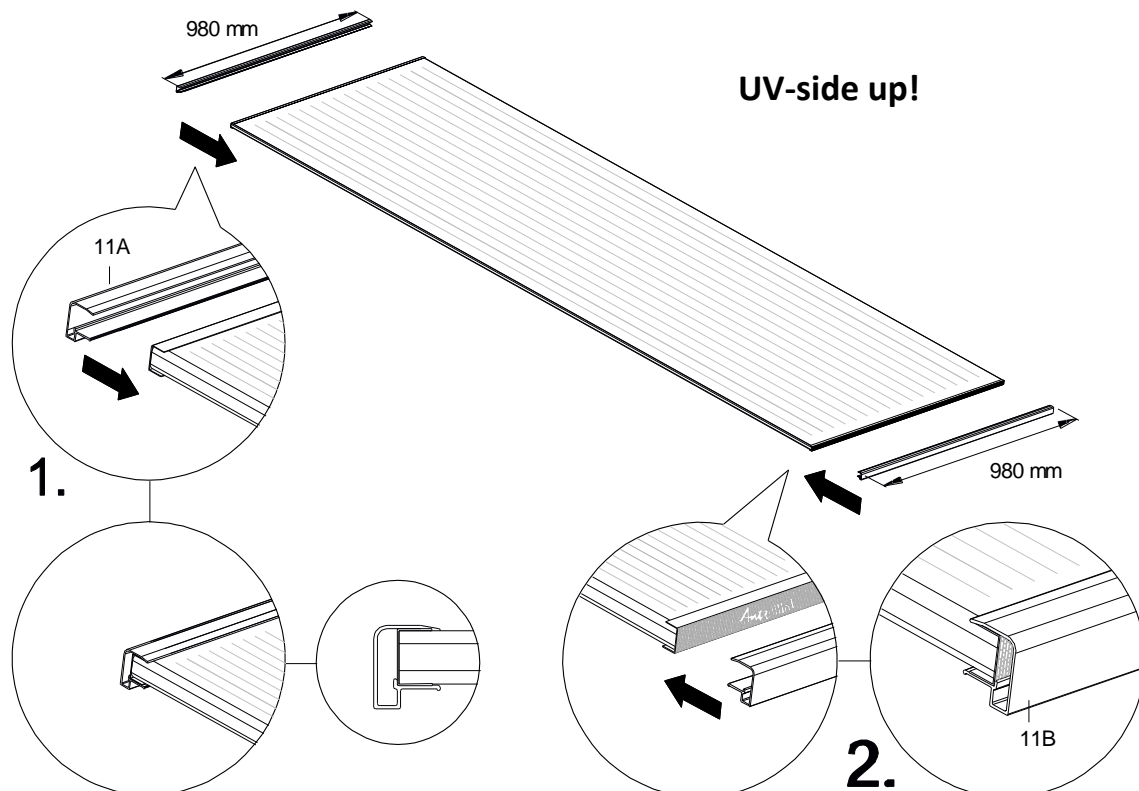
If you want to trim the width of the sheets, we recommend trimming off full 'chambers' whenever possible so the edges remain sealed.

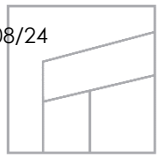
The roofing sheets have a top and a bottom. The UV side must face up. This is indicated with a protective film on the sheets. Always place the correct side up.

1. Place the condensation profiles (no. 11A) at the wall end of the roofing sheets, where the non-perforated anti-dust tape is located. Note: The tab of the profile must be on the bottom of the sheet.

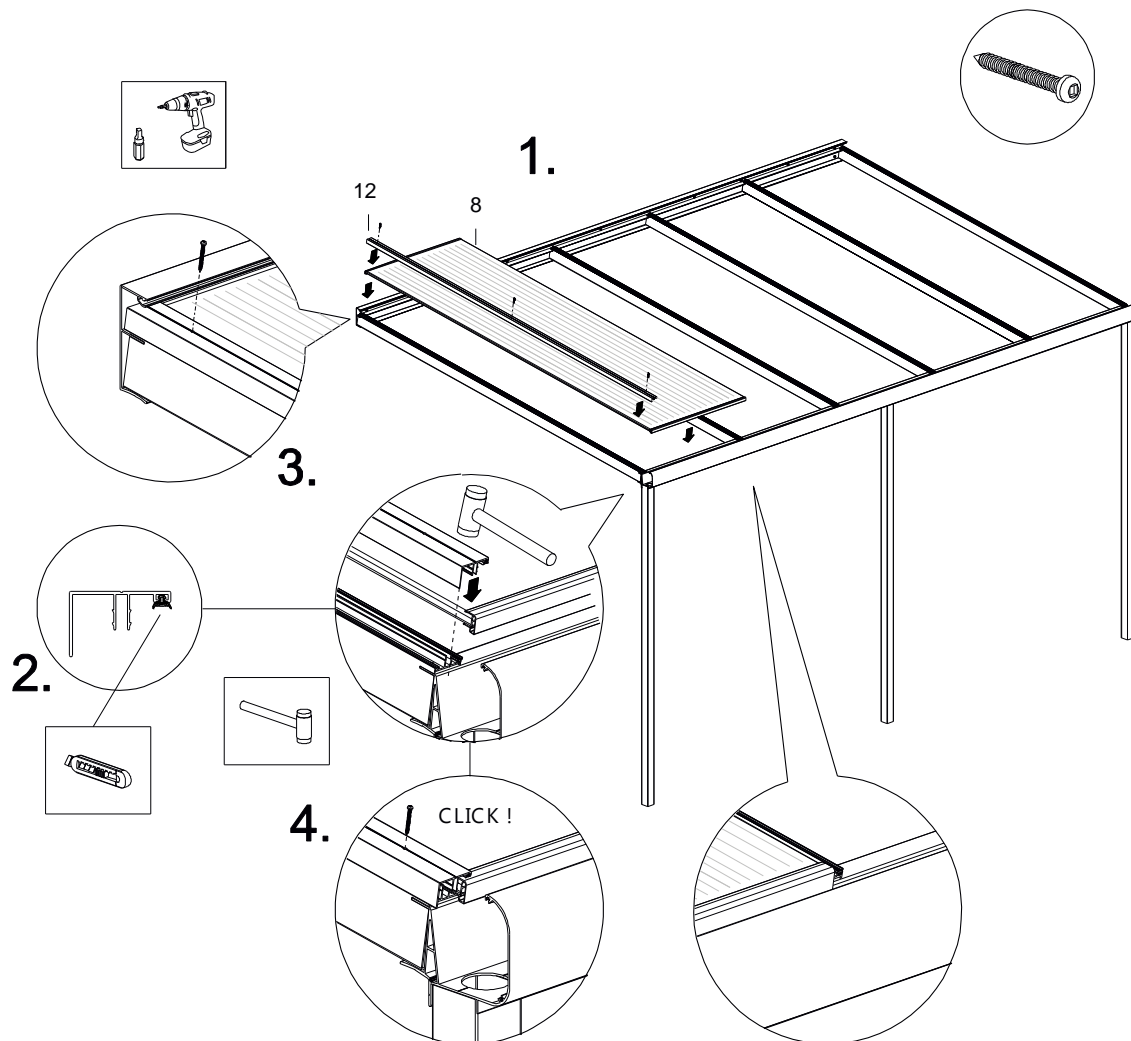
2. Place the condensation profiles (no. 11B) at the gutter end of the roofing sheets, where the perforated anti-dust tape is located.

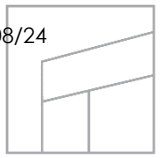
These condensation profiles have pre-drilled holes for drainage of the condensation water.



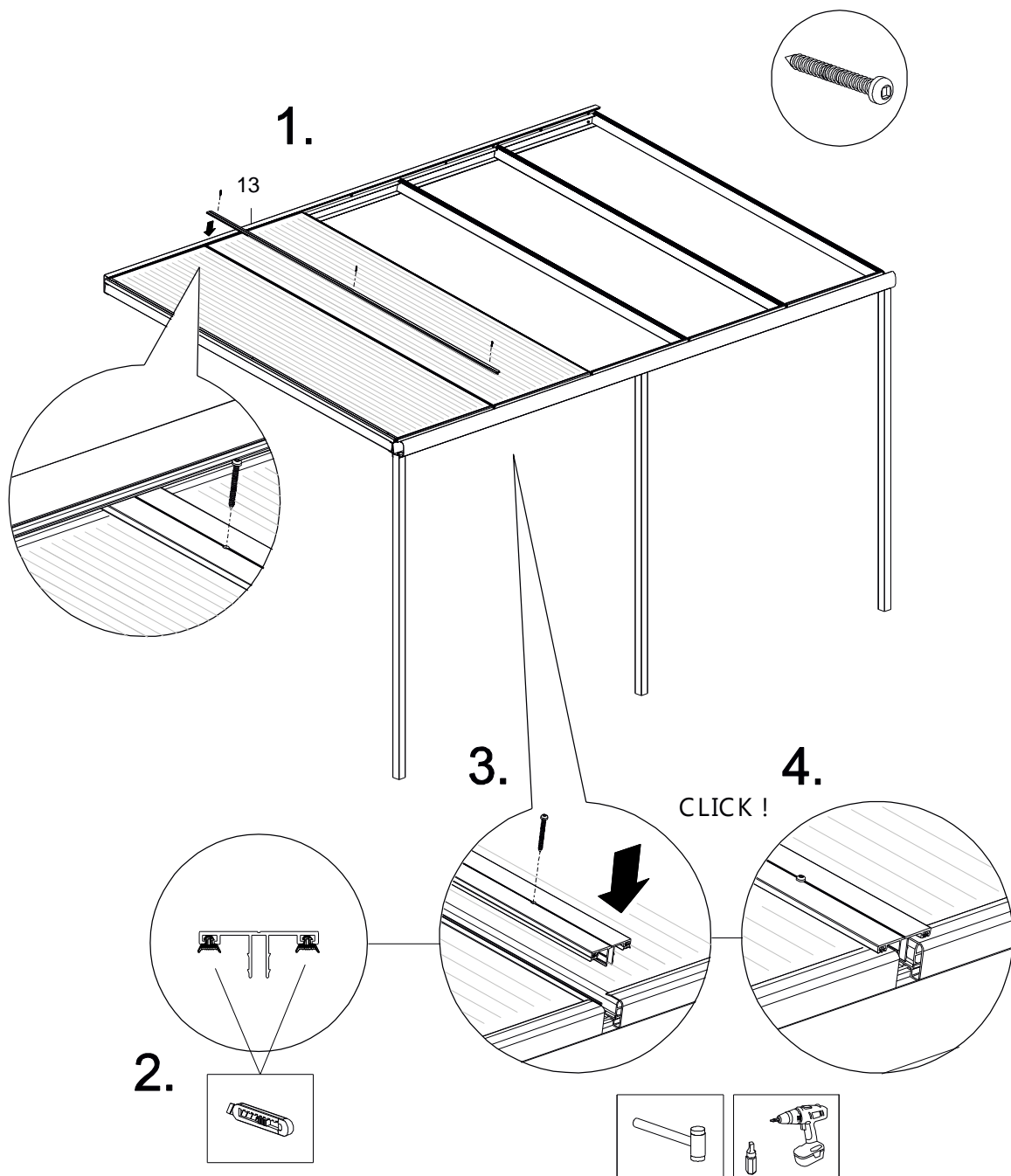


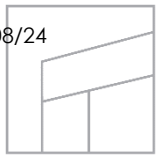
1. Place the first roofing sheet between the beams. **Note:** UV side up, the condensation profile (no. 11B) with the tab down and on the gutter side.
The roofing sheets are 300 cm long and the beams are 298 cm long. Place the roofing sheet on the beams so it sticks out 1 cm on each side.
2. Carefully cut the pre-fitted rubber seals in the aluminium end cover strip to size.
3. Pre-drill the end cover strip with a 3 mm drill bit (1 top – 1 bottom – 1 middle).
Fit the end cover strip. Place the cover strip on the beam so it sticks out 1 cm at each end. This allows the cover strip to fit a bit under the wall profile at the wall end for extra anchoring.
Once the strip is positioned correctly, click the trim click strip into the end beam (use a rubber mallet).
4. Now screw the end cover strip to three points on the end beam with long stainless steel screws (1 top – 1 bottom – 1 middle).



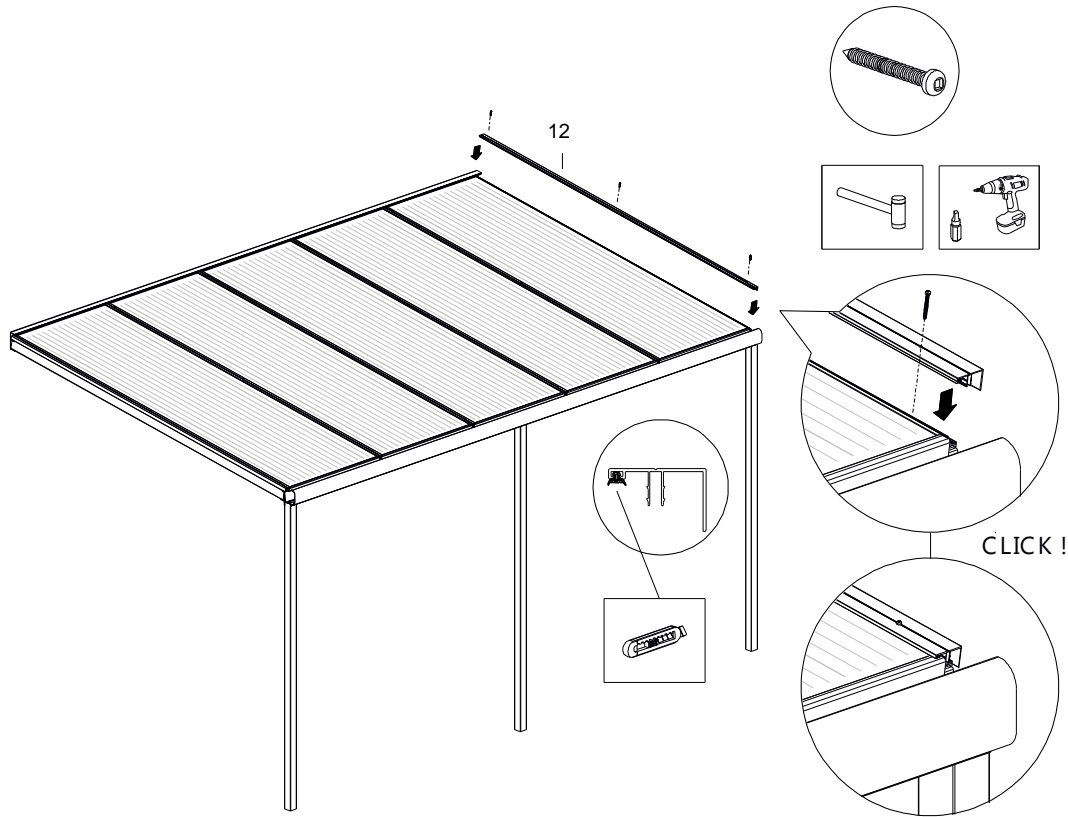


1. Place the second roofing sheet between the beams. **Note:** UV side up, the condensation profile (no. 11B) with the tab down and on the gutter side. Place the roofing sheets on the beams so they stick out 1 cm on each side.
2. Carefully cut the pre-fitted rubber seals in the aluminium middle cover strip to size.
3. Pre-drill the middle cover strip with a 3 mm drill bit (1 top – 1 bottom – 1 middle). Fit the middle cover strip. Place the middle cover strip on the beam so it sticks out 1 cm at each end. This allows the cover strip to fit a bit under the wall profile at the wall end for extra anchoring. Once the strip is positioned correctly, click the trim click strip into the middle beam (use a rubber mallet).
4. Now screw the middle cover strip to three points on the middle beam with long stainless steel screws (1 top – 1 bottom – 1 middle).

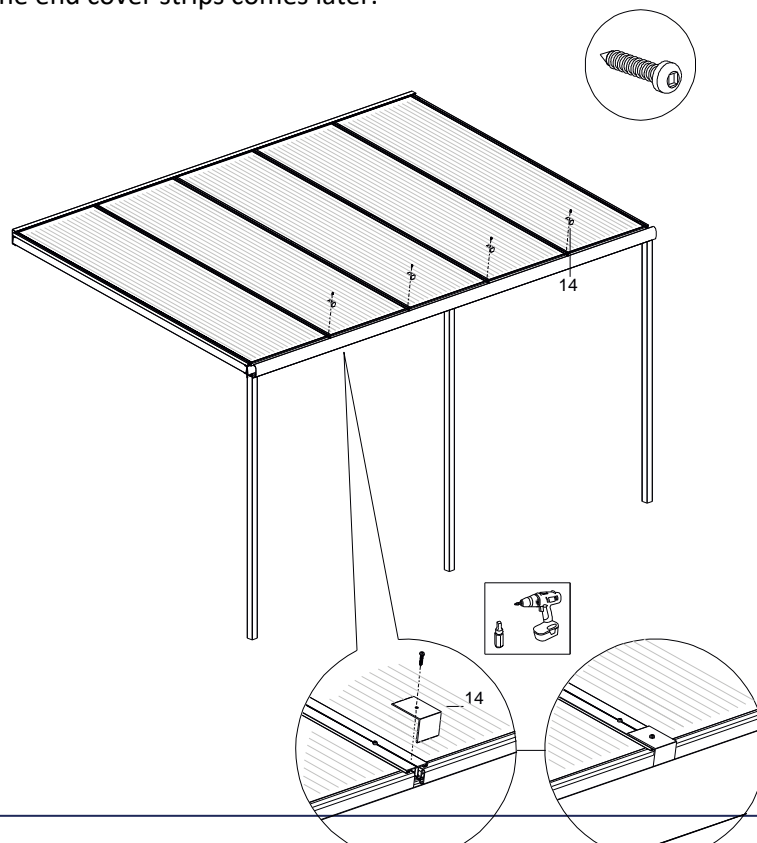


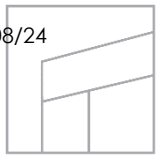


5. Repeat steps 1 to 4 on pages 26 & 27 for installation of the other cover strips.



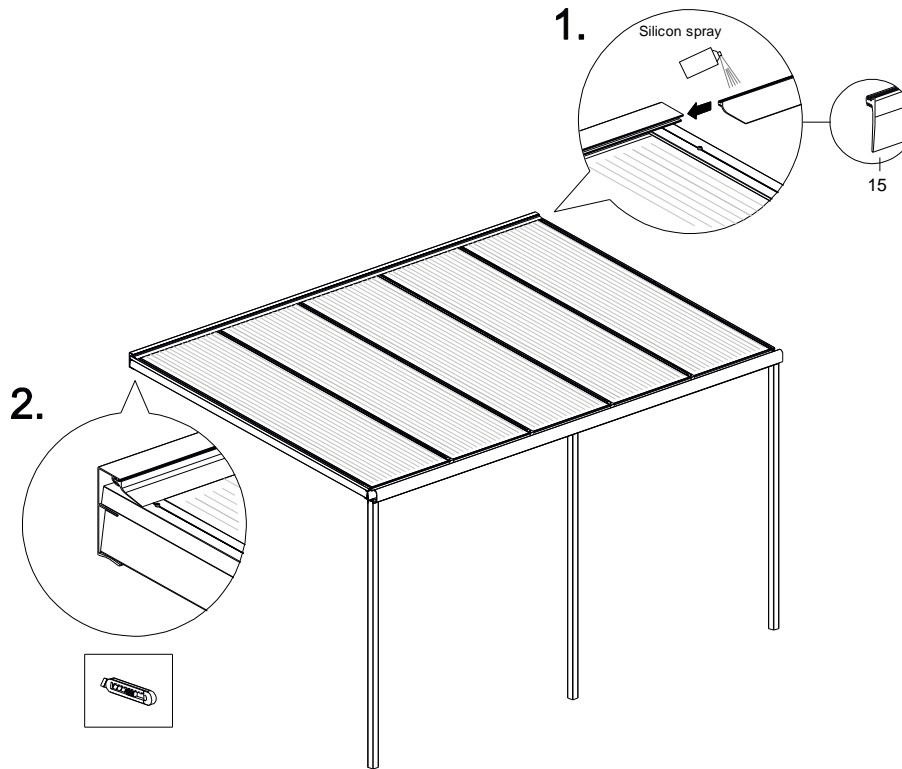
6. Now screw a sheet stopper at the gutter end of each middle beam to ensure secure attachment.
Note: securing the end cover strips comes later.



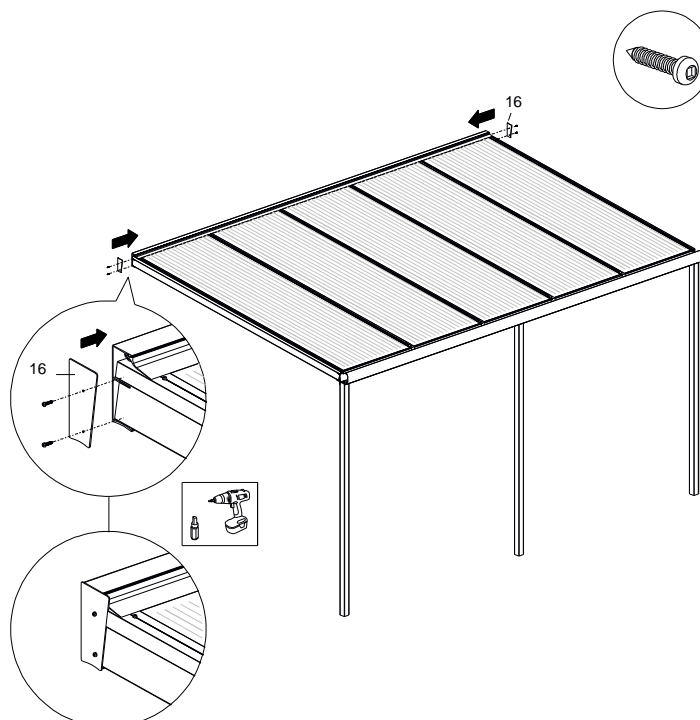


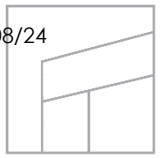
6.5 Finishing

1. Position the rubber strip in the wall profile properly so it covers the sheets and cover strips.
2. Carefully cut the rubber strip to size at both ends.

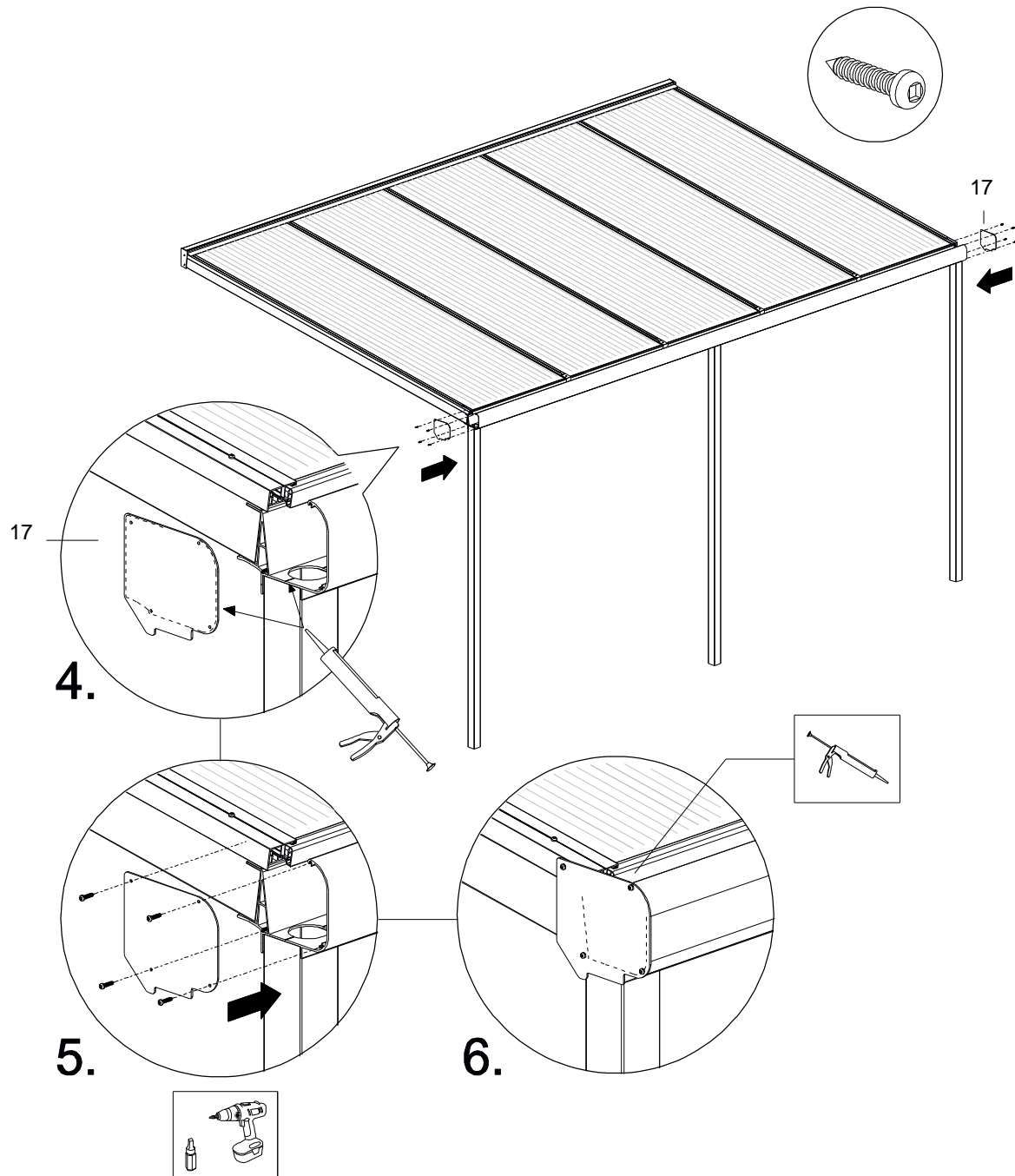


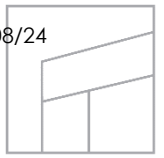
3. Screw the wall profile side cover onto wall profile with two short screws.



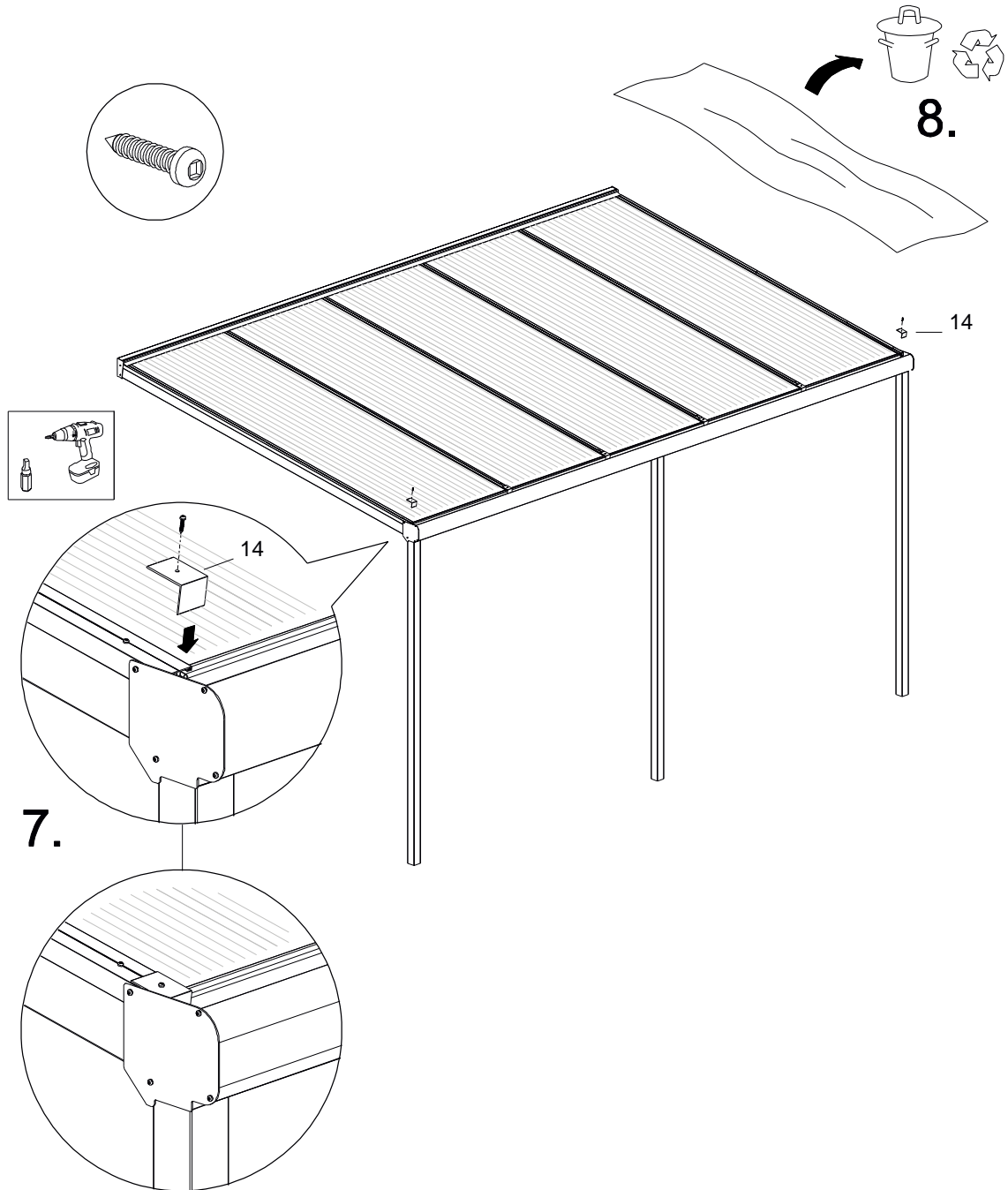


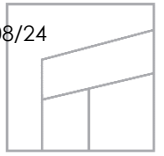
4. Apply sealant to both ends of the gutter profile.
5. Carefully screw the side cover to the gutter profile with the short screws in the guides provided for this purpose.
6. Apply sealant the inside of the gutter so it is waterproof.



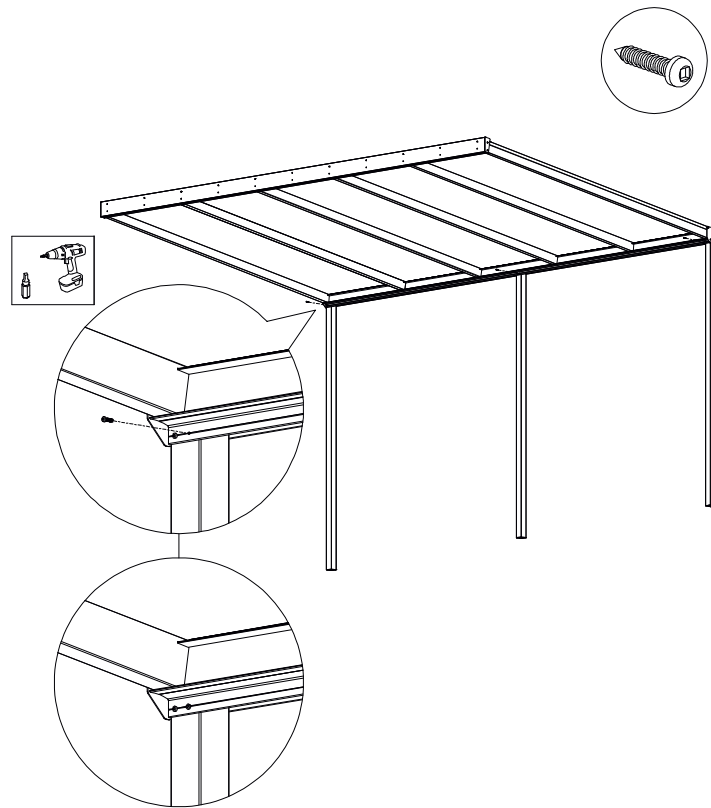


7. Now attach the sheet stoppers to the cover strips of the end beams with the short screws.
8. Remove the protective film from the roofing sheets and the aluminium parts.

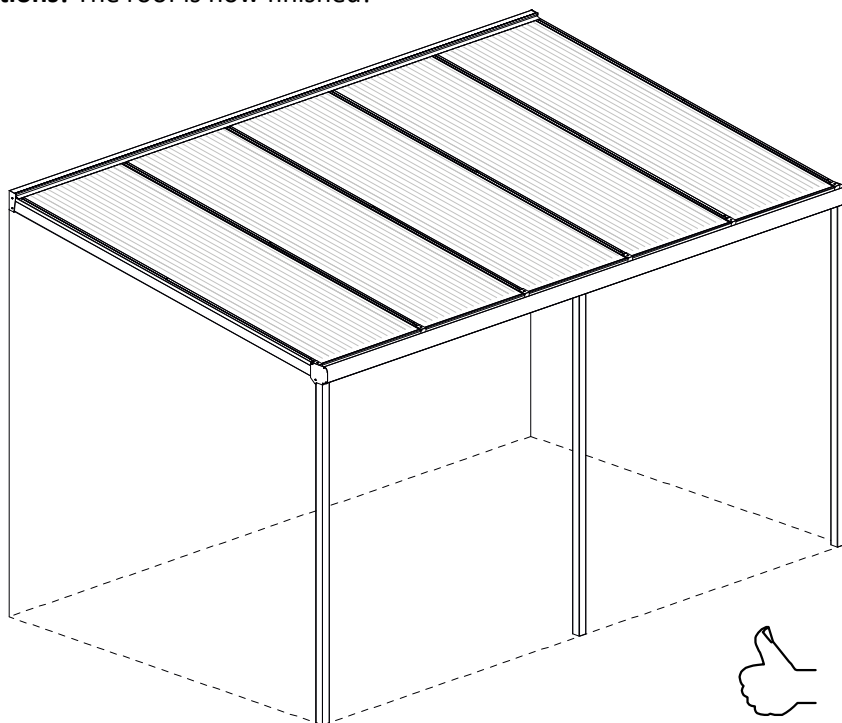


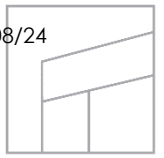


9. Secure your posts with the second short screw.



11. Congratulations! The roof is now finished!





7. Maintenance

We recommend that you maintain and clean your veranda at least once a year. Check whether the screw connections are tight. If not, tighten them firmly.

The aluminium profiles and roofing sheets that are dirty can be cleaned with lukewarm water and a cleaning product.

- Use a soft brush or sponge.
- Never use abrasives, aggressive solvents or a pressure washer.
- Wet first and rinse off with lots of water, and then wipe with a soft cloth.

8. Disposal of waste

Dispose of the product according to local laws and regulations.

9. Warranty conditions

Warranty in accordance with the warranty conditions and Deponti's general terms and conditions.

The powder coating has a 5-year warranty. Please note, the powder coating warranty of aluminum parts is two years when the product is placed in a place where it comes into contact with salty or chemical steam (such as harbors, coast and swimming pools).

10. Contact

IMPORTANT: Your Deponti partner is your first point of contact for questions and comments.