



# User manual / Assembly instructions Viewline Windbreaker

Version : EN - June 2023





## Inhoud

1. Introduction and assembly video	3
2. Safety precautions and warnings	4
3. Product description	5
4. Operation/usage	6
5. Customised glass (optional)	7
6. Parts overview	
6.1 Exploded view	8
6.2 Delivery inspection	8
6.3 Parts list	9
7. Mounting preparation	
7.1 Assembly conditions	11
7.2 Checking tools and accessories	12
8. Assembly	
8.1 Assembly of the fixed part	13
8.2 Assembly of the movable part	17
8.3 Assembly of the fixed and movable section	19
8.4 Assembling the windbreaker	22
9. Problem solving	25
10. Assembling base with (or without) planter	27
11. Maintenance	30
12. Disposal of waste	30
13. Warranty conditions	30
14. Contact	30

### THIS MANUAL SHOULD BE KEPT FOR FUTURE REFERENCE!

For duration and conditions regarding warranty, we recommend contacting your supplier. Furthermore, we refer to our General Terms and Conditions of Sale and Delivery, which are available on request. Deponti B.V. disclaims all responsibility for damage or injury resulting from the not following this manual carefully and unusual caution during transport, assembly, use and maintenance of the windbreaker. Due to continuous improvement efforts, the product may deviate in detail from what is described in this manual. For this reason, the instructions given serve only as a guideline for installing the product mentioned in this manual. This manual has been compiled with all due care, but Deponti B.V. cannot accept responsibility for any errors in this manual or for the consequences thereof. Furthermore, all rights are reserved, and no part of this manual may be reproduced in any manner whatsoever.



# 1. Introduction and assembly video

## **Congratulations on the purchase of your Viewline Windbreaker!**

Before you can start enjoying your Windbreaker, it needs to be assembled properly. This manual clearly outlines all the steps you need to take to correctly assemble your Viewline windbreaker. We recommend that you read the entire manual before starting to assemble.

Before starting assembly, please check that all necessary parts have been supplied. For your safety, please observe the applicable regulations. This will also ensure the safety of the installed Windbreaker. Should you have any questions, please do not hesitate to contact your local Deponti partner.



**Read carefully**

To get a better idea of the text in this manual, please refer to the animation video to clarify some things. This video is for support purposes only and may differ slightly from this manual. **In deviating cases, the manual is always leading!**



## 2. Safety precautions and warnings



**Important:** Please read the safety precautions and warnings before mounting the Windbreaker.

- Never use the Viewline windbreaker as a balustrade.
- During assembly, carefully follow the instructions and guidelines described in this manual. Never change the order in which things are done. If anything is unclear about assembly, contact your Deponti partner. We reserve the right to make technical changes without written notification.
- We recommend to assemble the windbreaker with 2 people (qualified technicians/authorised installers).
- Please check the delivery immediately after receipt. In case of damage or incomplete delivery, please contact your Deponti partner immediately.
- The materials should be stored in a dry, ventilated room, not exposed to direct sunlight.
- Open the packaging carefully. Take care to not damage the product.
- To avoid damage to your Windbreaker, place the parts on a soft, clean and flat surface. Take care not to scratch them.
- Adding or removing parts or editing or reworking materials other than as specified may adversely affect the safety of the windbreak and is therefore strongly discouraged!
- Mount the windbreak on a flat stable foundation or surface. Ensure that all fastenings are securely tightened. Check this regularly.
- The type of fastening depends on the type of foundation (steel, concrete or wood). The fastening should be determined by the installer and are not supplied as standard.
- For cleaning and washing, use plenty of water, soft material and a sponge. Only use neutral cleaning agents. No acid or alkalis. Solvents (washing-up liquid and window cleaner) are, however, permitted to remove greasy dirt.
- Dispose the product in accordance with local laws and regulations.
- Deponti B.V. will not accept any responsibility for damage or injury caused by not (strictly) following the safety regulations and instructions in this manual, or by negligence during assembly, use and maintenance of the product and any accessories. Deponti B.V. is not responsible for any damage.





### 3. Product description

Perfect for terraces. Ideal for creating a separation. Our innovative windbreaker makes outdoor living even more attractive.

Viewline windbreakers are ideal for enclosing your terrace, roofing, veranda, summerhouse, log cabin, etc. The windbreaker is made up of 2 uprights with a fixed and movable glass panel between them, which slides up by unlocking.

Product information:

- Colours: Anthracite (RAL7024) / Black (RAL9005) / Traffic white (RAL9016)
- Retracted height: 1100mm
- Extended height: 1900mm
- Available widths (incl. glass): 1000mm / 1500mm / 2000mm
- Maximum system width: 2000mm
- Glass type: 2 x 8mm tempered glass
  - Application of customised glass is possible: Please inform us of size of the system to supply the correct gas springs.
- Coupling is possible with a cover plate
- Corner connecting is possible

(Optional): The bases (with and without planter) are optionally available with wheels. This makes the windbreaker easy to move and set up anywhere.

Product information for bases and flower boxes:

- Planter and windbreaker are supplied in the same colour
- Frames (with or without wheels) are always black
- Available widths: 1000 mm / 1500 mm / 2000 mm
- Planter serves as a counterbalance for the base frame, preventing it from blowing over. It should always be filled.



## 4. Operation/usage

The windscreen can be extended by simply pressing on the centre of the glass. When you release the glass, it slides upwards. This releases the springs in the uprights and pushes the glass plate upwards.

Then press the centre of the glass again to push it down. You should push the glass all the way down. When you have reached the lowest point, release the glass. The system is then locked again.



### CAUTION:

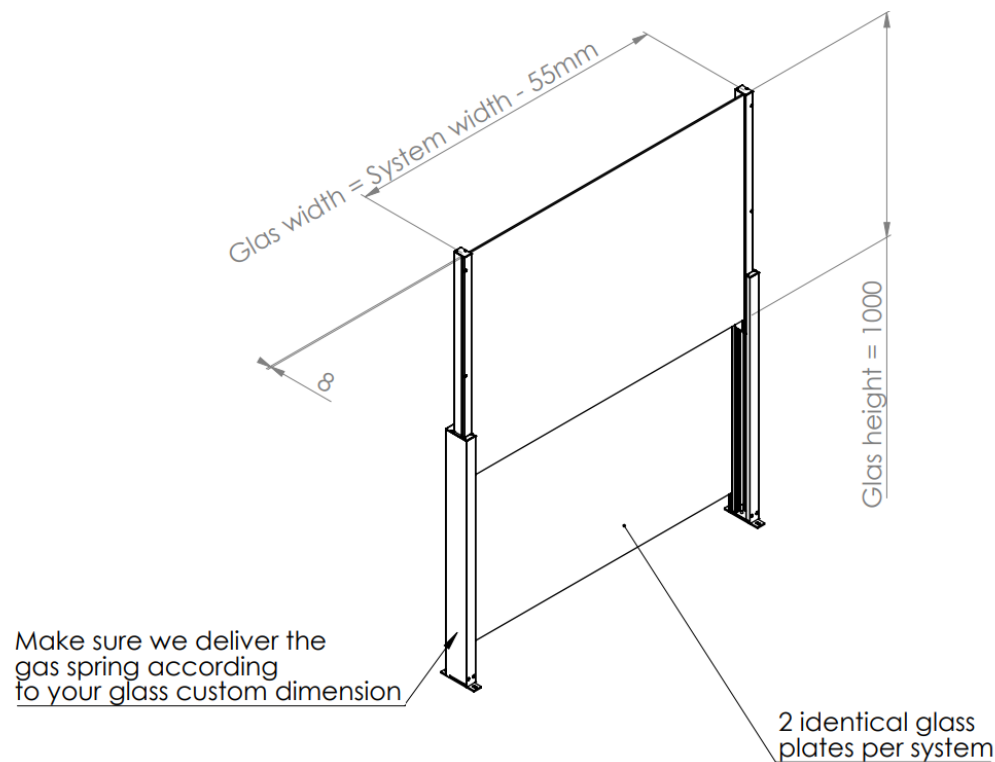
- Always press on the centre of the glass.
- Press down fully while locking/unlocking. This will ensure that both gas springs unlock at the same time.
  - If both gas springs do not unlock at the same time (the windbreaker does not rise), try repeatedly pressing the glass down a few millimetres (instead of fully). The windbreaker will then unlock automatically.
- Never press force the side of the glass!



## 5. Customised glass (optional)

The windbreaker profiles can also be ordered separately and fitted with 8mm customised glass.

- Glass width (mm) = system width (mm) - 55mm
- Glass thickness = 8mm (tempered)



Please note that the gas springs must deliver a force that is appropriate to the weight of the glass panels. When using customised glass, always specify the system width you have in mind so that the gas springs can be delivered at the correct force.

- Force per gas spring (Newton) =  $0.0981 * (\text{system width (mm)} - 55) + 43$
- The system contains 2 gas springs.

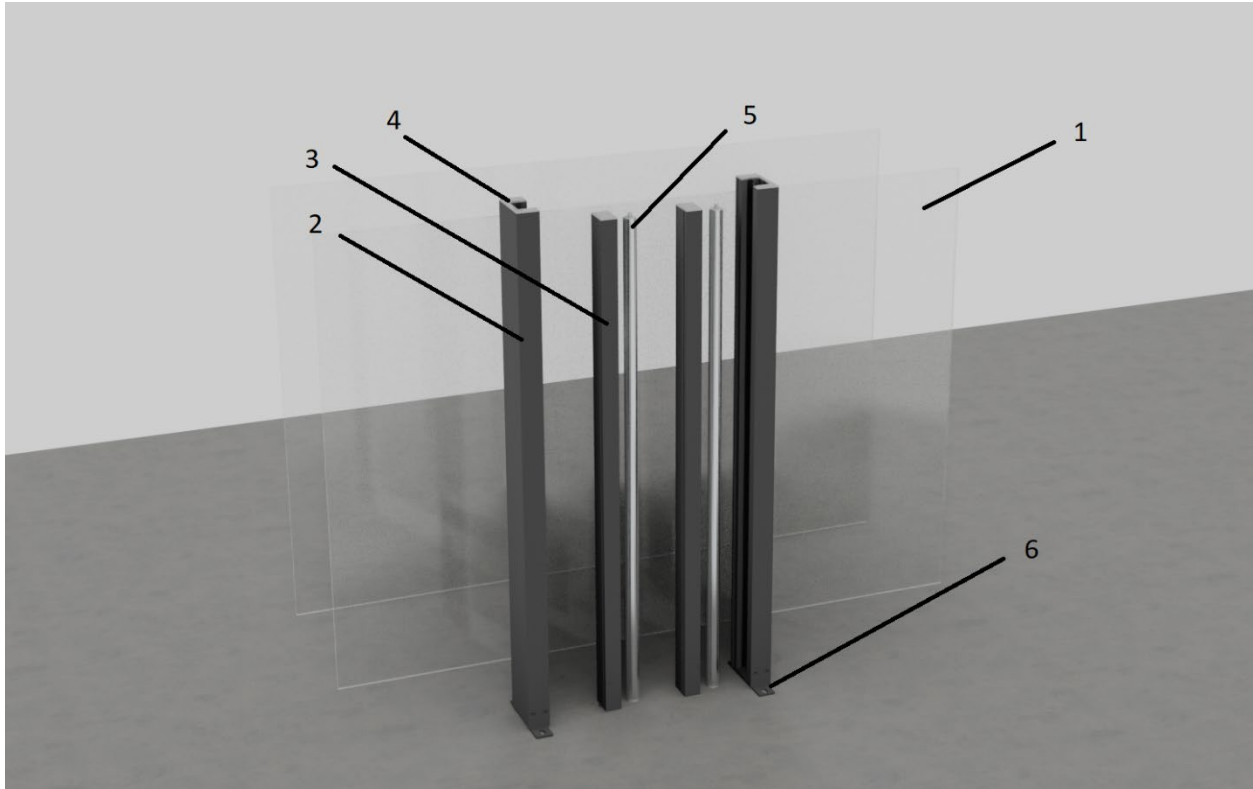
Example calculation system width 1000mm:

- Force gas spring =  $0.0981 * (1000 - 55) + 43 = 135$  Newtons



## 6. Parts overview

### 6.1 Exploded view



### 6.2 Delivery inspection

*Always check the delivery note of delivered parts carefully for quantity and quality. Any visible defects should be reported in writing within 7 days of delivery.*





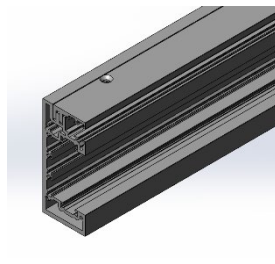
## 6.3 Parts list

Use the delivery note, to carefully check the parts that been delivered on quantity and quality.

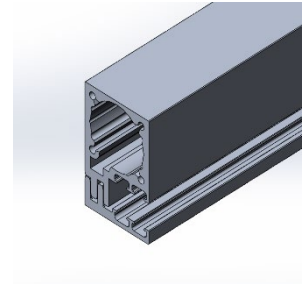
### Onderdelen windscherm:



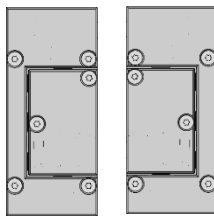
1 Glass plate (2x)



2. Outside post (2x)



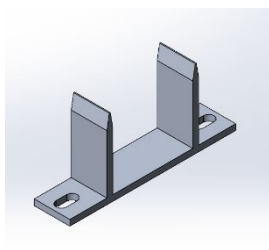
3. Inside post (2x)



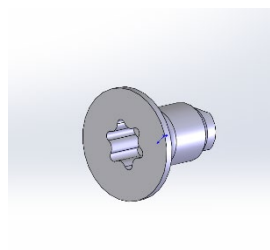
4. Cover plates for outside and inside posts (bagged/pre-assembled)



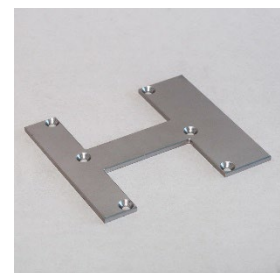
5. Gas spring (2x).  
(Strength is shown in the manual. See chapter 5)



6. Mounting feet (2x)



6A. Bag of screws for fitting mounting feet to the post (6x)



Optional: Coupling plate

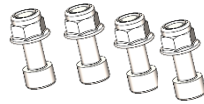


**Base parts (optional):**

- A. Base with wheels**
- B. Base without wheels**



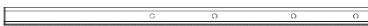
(A,B) Mounting plate



(A,B) Small bag of nuts and bolts



(A) Frame with wheels for windbreaker base (2x)



(B) Tube for windbreak base (2x)

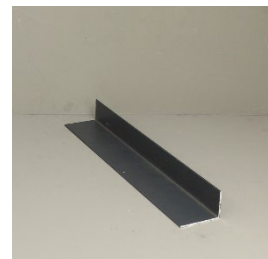
**C. Additional planter**



(C) Grillo long side (2x)  
Grillo short side (2x)



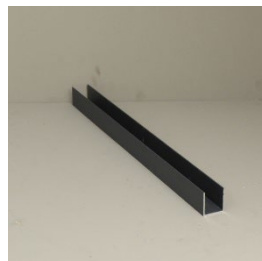
(C) Grillo top cover long side (2x)  
Grillo top cover short side (2x)



(C) L-profile long side (2x)  
L-profile short side (2x)



(C) Polycarbonate sheet, bottom



(C) U-profile corner connection (8x)



(C) bag of screws (2x)



## 7. Mounting preparation

### 7.1 Assembly conditions

#### Surface

- The mounting location should be solid, level and flat.
- The surface must be sufficiently well-founded to withstand wind loads.
- The location where the windbreaker will be installed must be ready for building and free of obstacles (garden furniture, flower boxes, etc.) so that the fitters can carry out their work unhindered.
- The ground must be free of obstacles such as power, water, heating and internet cables etc.).

#### Dimensions

- A Viewline windbreaker is available with an installation-built height of 1100 mm.
- A Viewline windbreaker has a maximum width of 2 metres.

#### Screwing and drilling

- The guide strips should not be drilled.
- Pre-drill the holes for mounting the mounting feet.
- Tighten screws of the cover plates carefully.

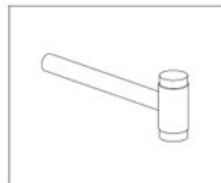
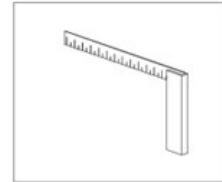
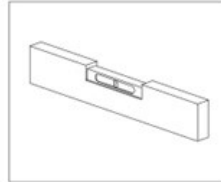
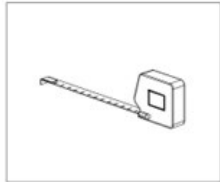
#### Remove protective film

- Remove the protective film from the posts before fitting around the glass.

**Warranty can be voided if the Viewline Windbreaker is not assembled and mounted according to the guidelines.**



## 7.2 Checking tools and accessories





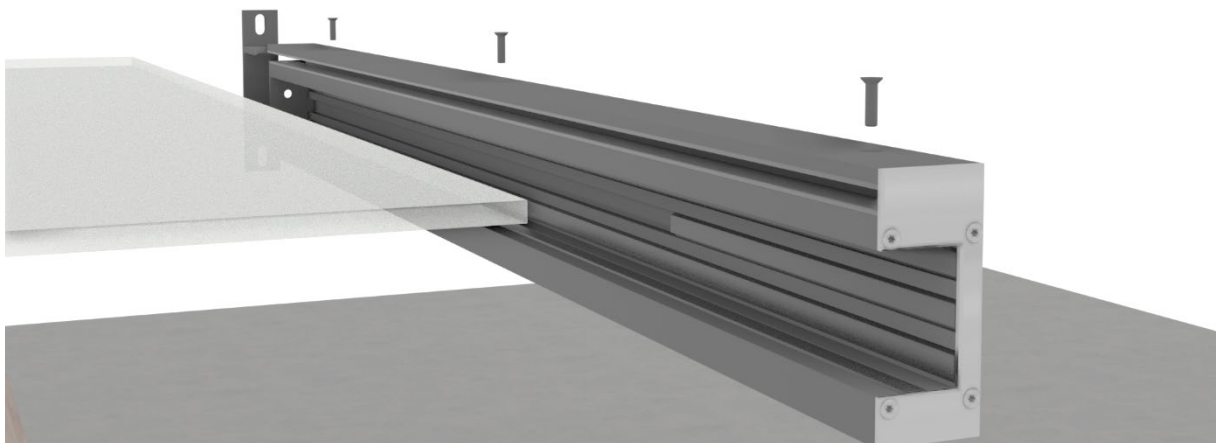
## 8. Assembly

### 8.1 Assembly of the fixed part

1. Place the glass plate on trestles so that you can easily reach the edges of the glass.



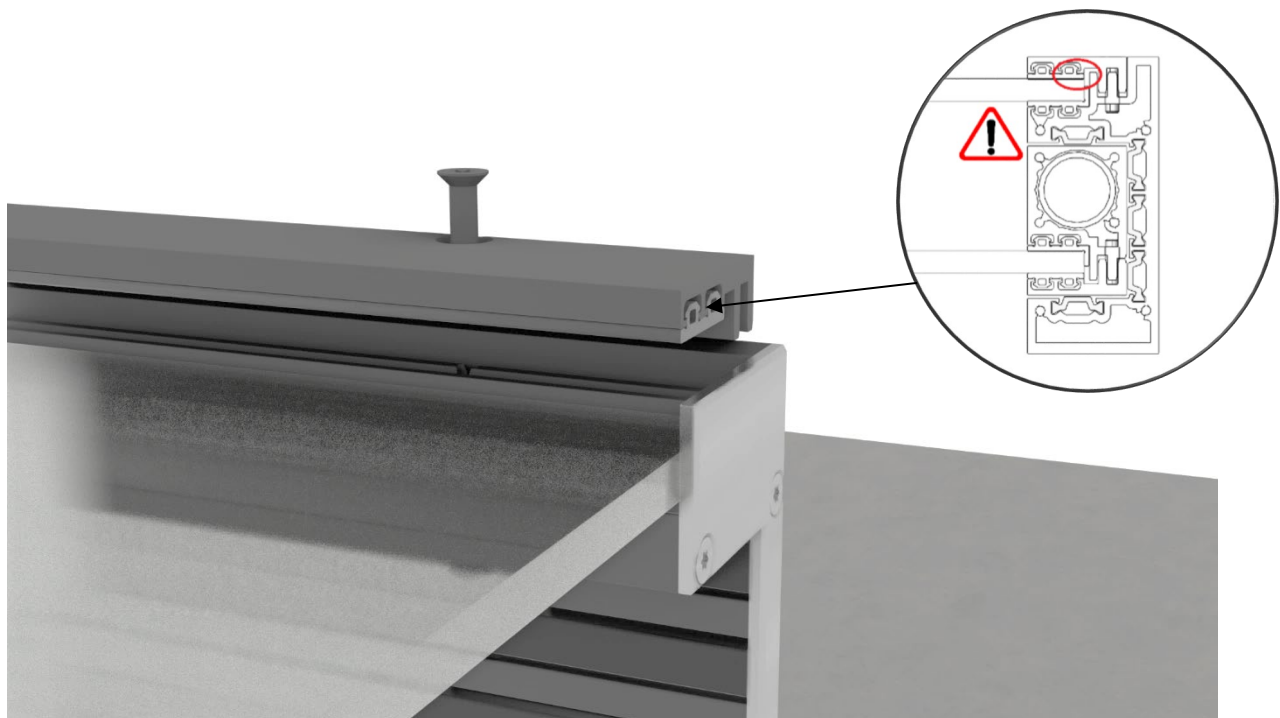
2. Remove the screws of the glass plate from the outside post.





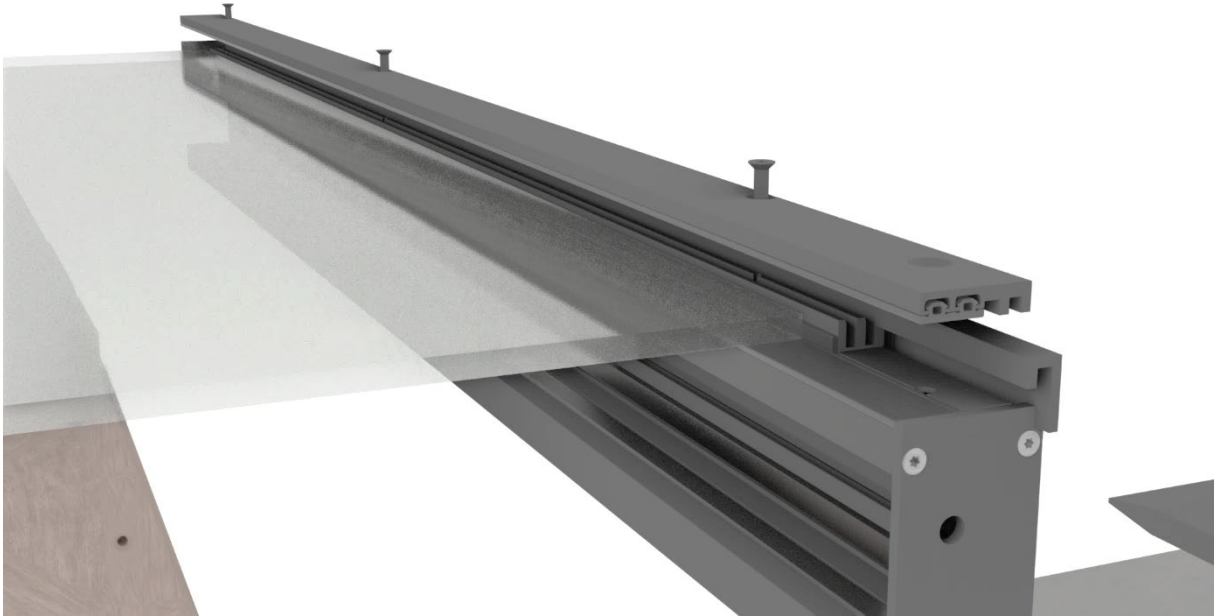
3. Place the outside post around the glass and make sure the glass plate lies nice and flat. Clamp the glass plate by using the screws for glass.
  - a. Make sure the post is as far around the glass as possible. Tap with a rubber mallet so that it is fully on. (The final outside post dimensions must be exactly right for guiding the inside posts).
  - b. Make sure the cover plate at the top of the post is with the top of the glass.
  - c. Then tighten all the screws extra to make sure the glass is properly clamped.

**Note:** If the windbreaker is placed on a wheeled base, we recommend that you cut away a piece of rubber (+-10cm, see below red circle) to permanently connect the glass and the post with fixation kit. This because of the risk that the post can be pulled off the glass when the windscreen is frequently moved.

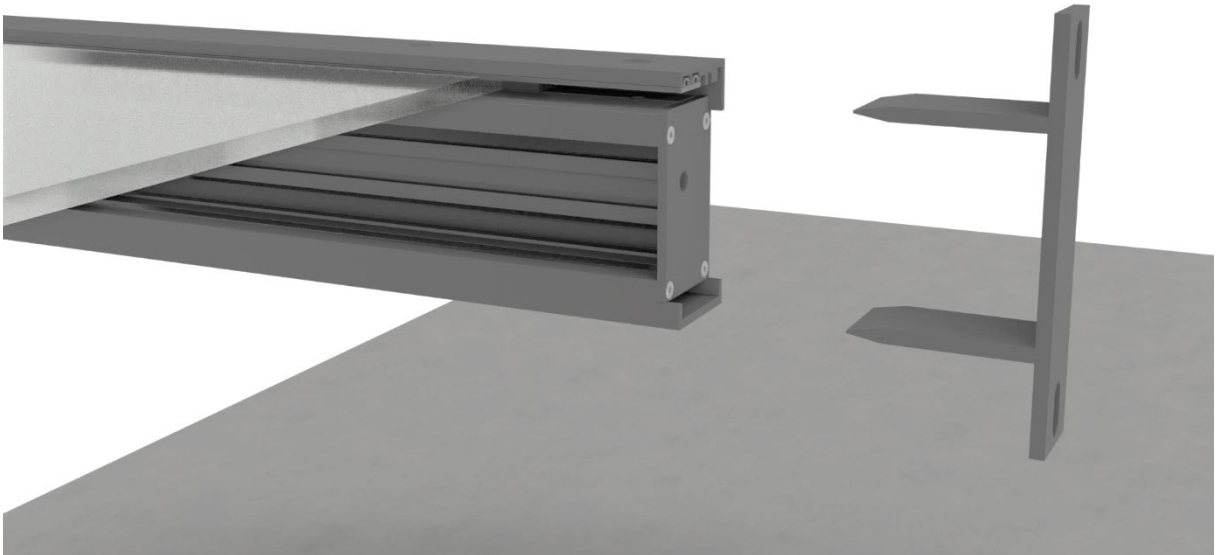




4. Also mount the other post.

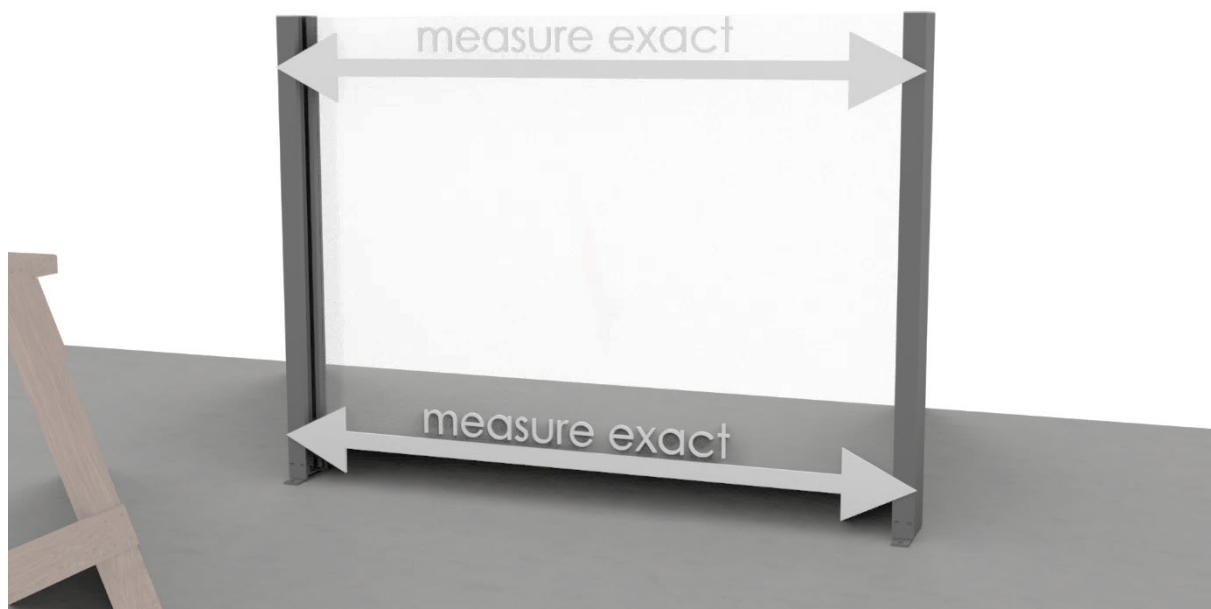


5. Then slide the mounting feet loosely into the bottom of the post.





6. Check the post dimensions of the system again. If necessary, slide the uprights further against the glass. The short side of the glass must be completely flush with the rubber of the post. Then lift the system off the trestles and set aside.





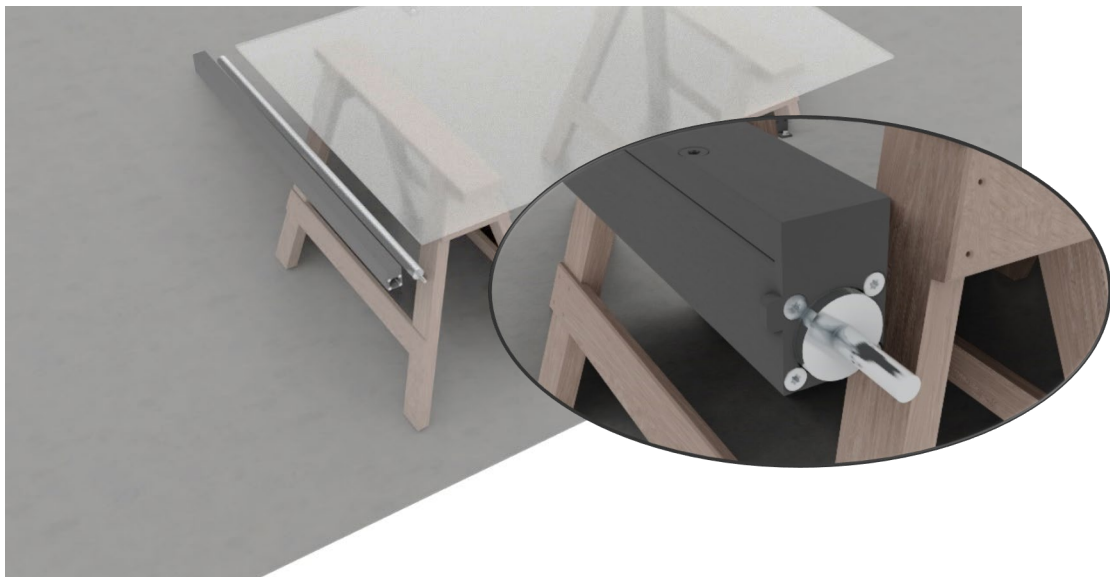


## 8.2 Assembly of the movable part

1. Place the glass plate on trestles so that you can easily reach the edges of the glass.



2. Take an inside post and a gas spring. Slide the gas spring with the filling part into the bottom of the post. Then tighten it by turning clockwise until it stops. (The part with the spring protrudes from the bottom of the upright, leave both nuts on the gas spring).

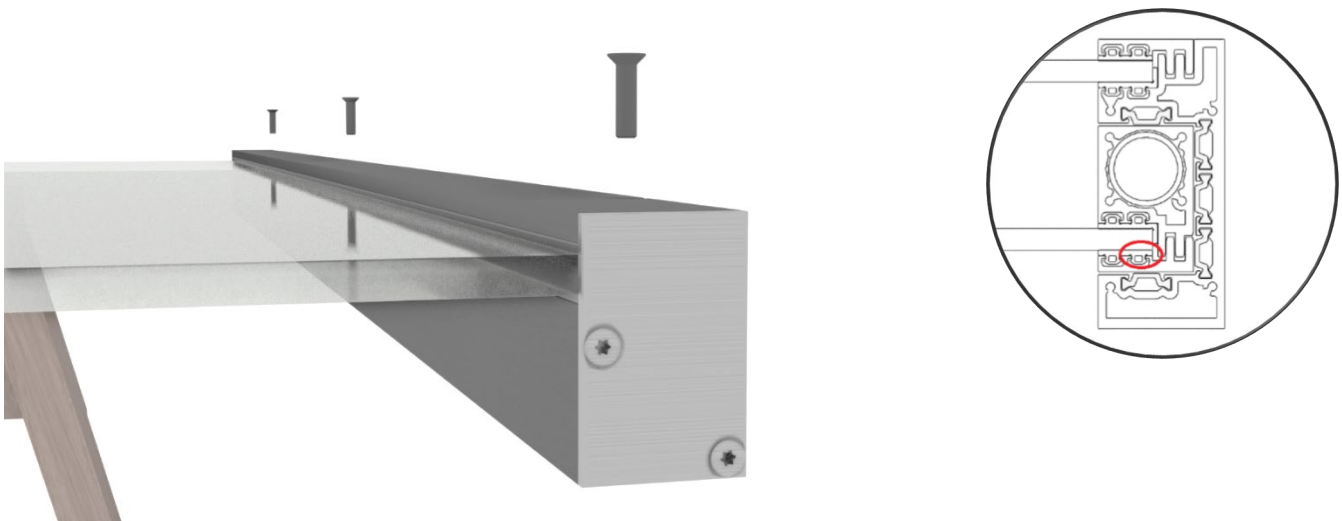


*TIP: Make sure the mark on the end of the glass is on the bottom.*



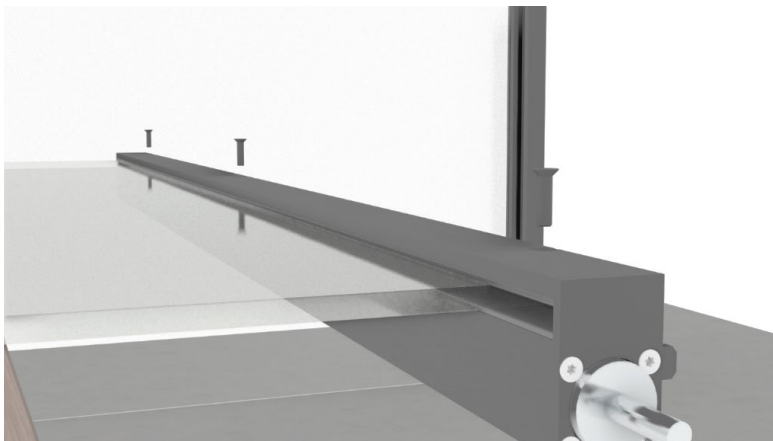
3. Assemble the screws of the glass plate of the inside post.
4. Place the inside post around the glass and make sure the glass plate lies nice and flat. Clamp the glass with the glass batten screws.
  - a. Make sure the post is as far around the glass as possible. Tap with a rubber mallet so that it is fully on.
  - b. Make sure the cover plate at the top of the post is with the top of the glass.
  - c. Then tighten all screws extra to make sure the glass is properly clamped in place.

You can cut a piece of rubber at the top of the profile (+-10cm, see above red circle) invisibly cut away to permanently connect the glass and the post. This is optional to prevent the glass from moving in the post.



*TIP!: Make sure the mark on the end of the glass is on the bottom.*

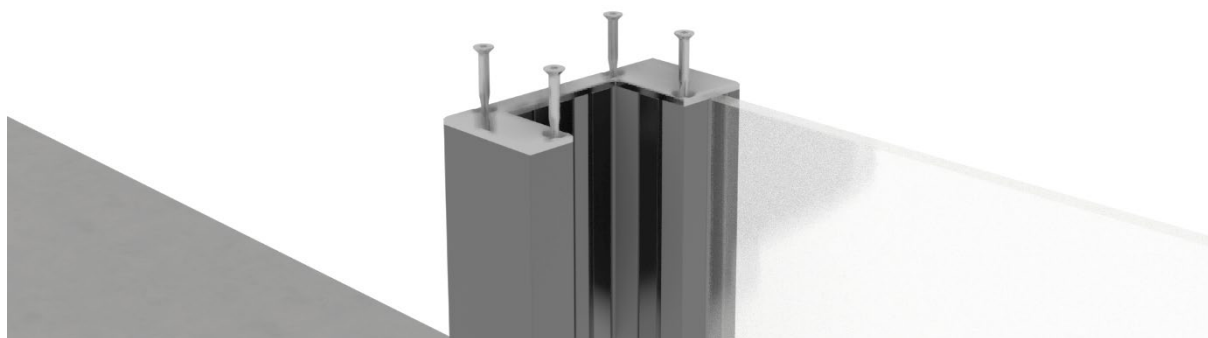
5. Also install the other gas spring and post, place it around the other side of the glass and clamp it in place.



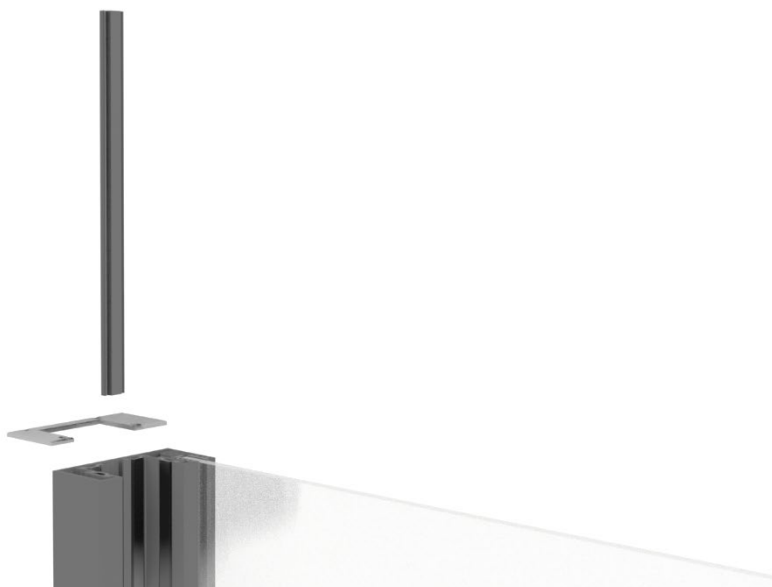


### 8.3 Assembly of the fixed and movable section

1. Remove the cover plates (temporarily) from the outside post.

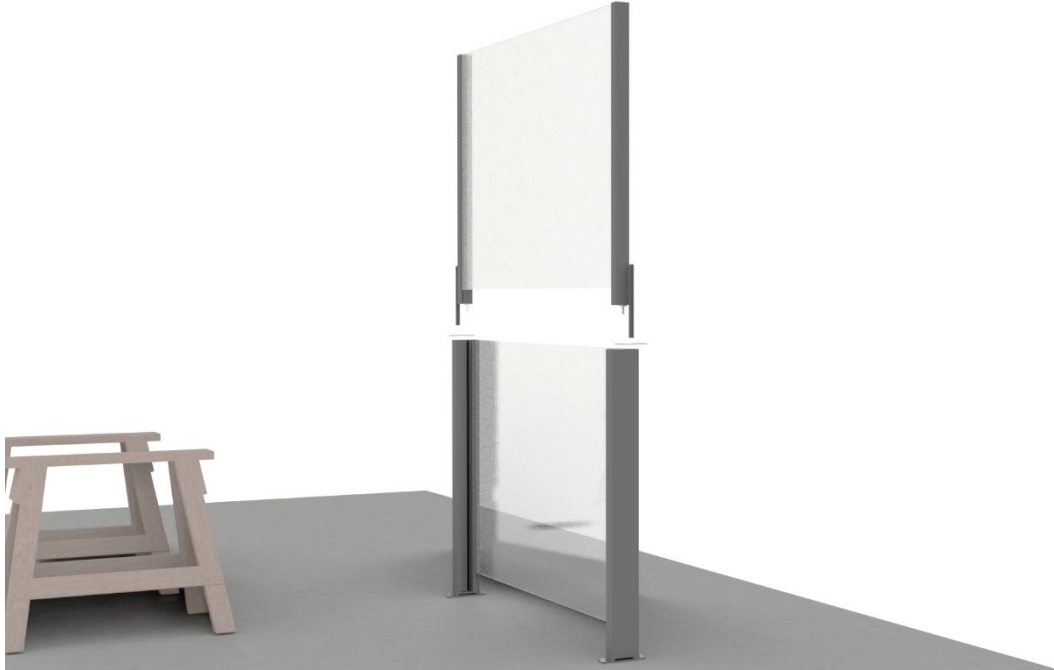


2. Remove the short guide strips from the post. Keep them.

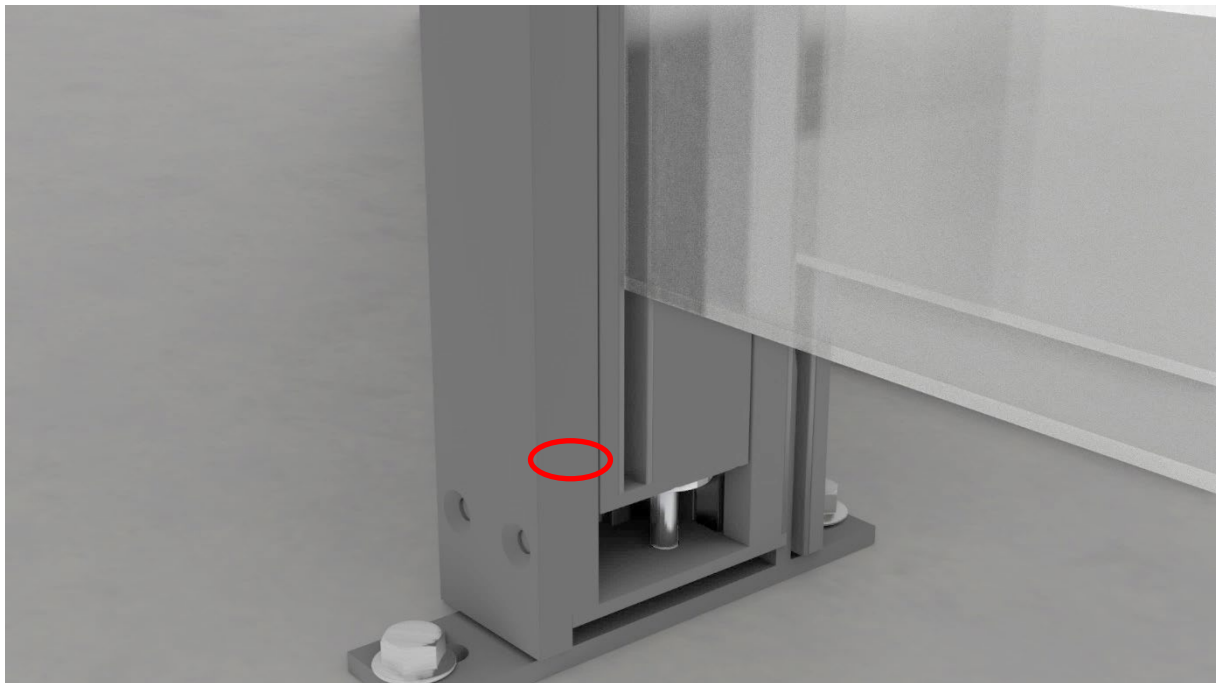




3. Insert the (assembled) movable part into the top of the outsiders. Make sure the space between the 2 glass plates is as large as possible. Lower it all the way down.

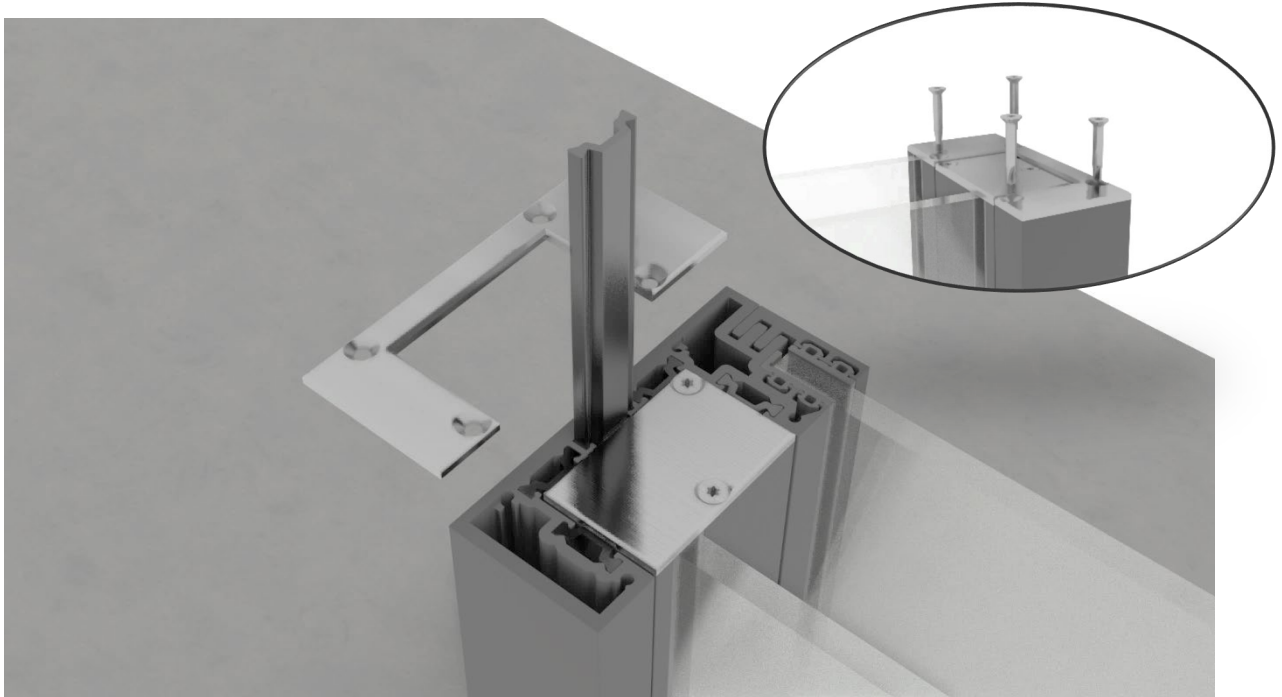


4. The threaded ends of the gas springs fall into the hole of the plate in the lower post. These do not need to be screwed down.

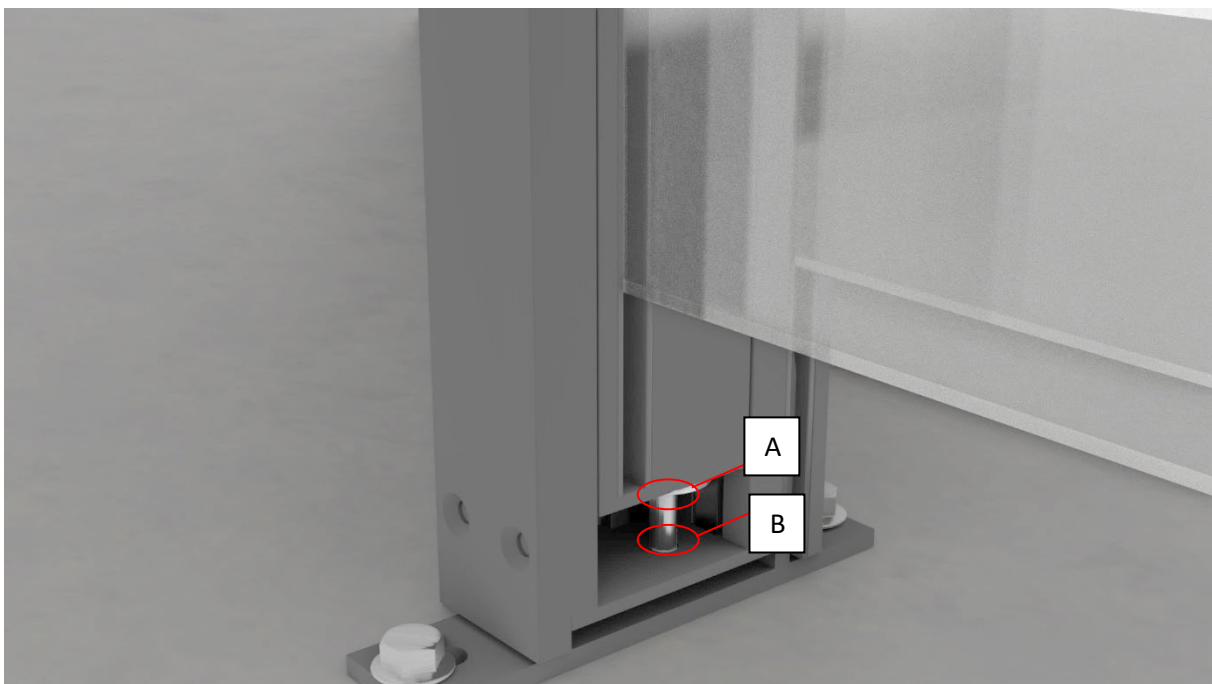




5. Then replace the short guide strips and fit the cover plate on top of the posts. (For your information: the guide strip functions as a stop, preventing the windbreaker from sliding out too far)



6. The covers of the movable inner part are now a little deeper than those of the outside posts. To make the tops run flat, unscrew the lower nut (B) of the gas spring while keeping the upper nut (A) tight and fully tightened. This will raise the inner post a little.





## 8.4 Assembling the windbreaker

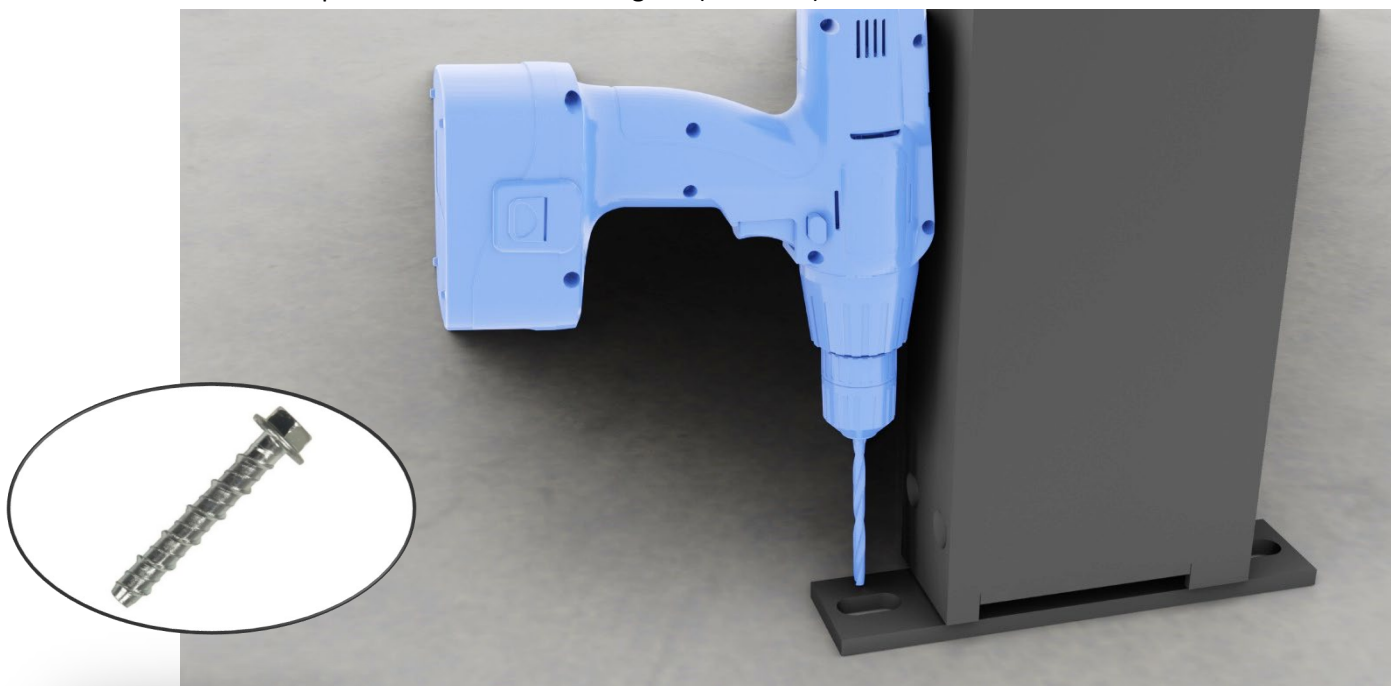
Determine the correct position of the windbreaker. The windbreaker must be placed on a base that has sufficient foundations / counterweight to withstand wind loads, such as poured concrete or a base with a planter (for weight).



Newly poured concrete? TIP: use our mounting plate in combination with threaded rods to set it in exactly the right position in newly poured concrete!!

The remainder of this guide assumes the situation where the windbreaker is placed on existing concrete.

1. Drill through the holes of the mounting feet in the concrete (4x). Make sure you are sure that the outside posts are well around the glass (see 6.1.6).



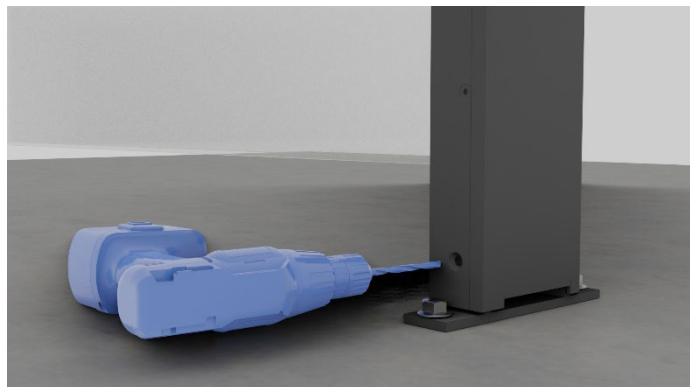
2. Use the right fastening material for your situation. We recommend using concrete screws with an outer diameter of 10mm. Make sure the length is suitable for your situation. Fully tighten the 4 concrete screws.



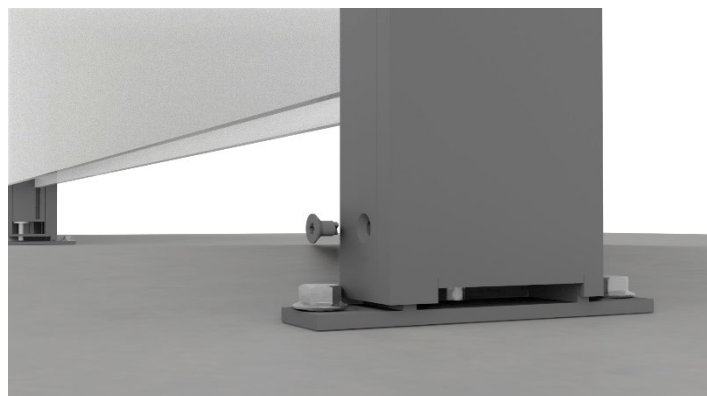
3. Check that the windbreaker is horizontally levelled. If necessary, temporarily place 2 levelling wedges under the glass (of the fixed part) to temporarily support it.



4. Pre-drill the 2 holes (1 in each mounting feet). Use drill 5.5mm. Make sure you only drill into the mounting feet. Do not drill completely through the post!



5. Use the screws provided (Self-tapping 6.3mm in colour) to secure the posts to the mounting feet.

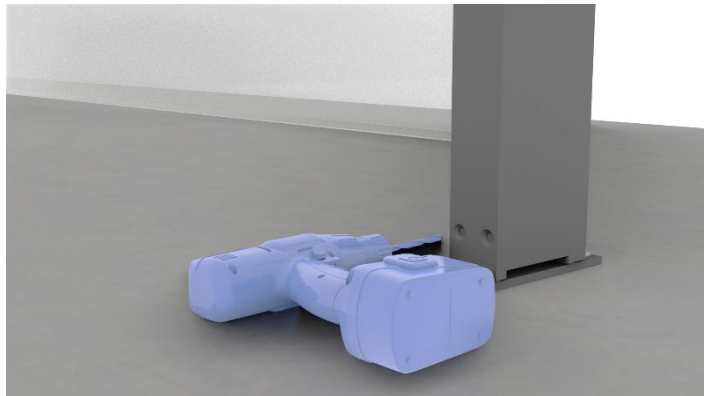




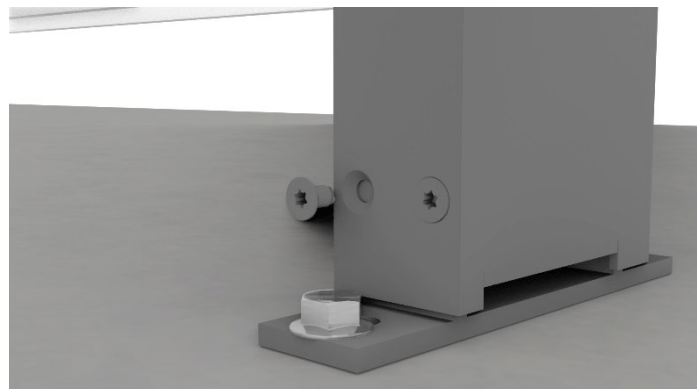
6. Check that the post is vertically level. Place it in the correct position.



7. Drill the 2 remaining holes in the mounting feet with drill 5.5mm. Only drill into the mounting feet, not through the post.



8. Use the supplied 6.3mm self-tapping screws to mount the post to the mounting feet.



9. Repeat for the other post.





## 9. Problem solving

Probleem	Oplossing
A. The windbreaker does not unlock. The screen does not raise.	<p>Solution 1. Press down fully while locking/unlocking. This ensures that both gas springs unlock at the same time.</p> <p>Solution 2. If both gas springs do not unlock at the same time (the windbreaker does not rise), try repeatedly pressing the glass down a few millimetres (instead of fully). The windbreaker will then unlock automatically.</p> <p>Solution 3. If this happens often, even though you are pushing the glass all the way down. Check whether the upper nut on the gas spring is fully tightened. Also check whether the locking mechanism at this nut still turns smoothly.</p> <p>Solution 4. Check that the gas spring functions individually. Dismantle it by removing the covers from the inner post. Caution! First support the glass of the movable part to prevent it from sinking down.</p>
B. I can't get the windbreaker pushed down.	<p>Solution 1. Press into the centre of the glass. Never press forcibly on the side of the glass!</p> <p>Solution 2. Check that the short guide strips are placed in the outside posts. If they are not placed, the screen will slide up too far, increasing the risk of misalignment.</p> <p>Solution 3. Check that the gas springs have the correct strength, see label on the gas spring for the correct strength. (see chapter 5).</p>
C. The tops of the posts are not the same height.	<p>Solution 1. Extend the lower nut at the bottom of the gas spring further. This will raise the inside post. Note: Leave the upper nut fully tightened.</p>
D. The glass in the posts is pushed down	<p>Solution 1. Make sure the screws of the glass plates are fully tightened.</p> <p>If necessary, cut off a piece of the glass rubber to invisibly replace it with a +-10cm strip of fixing kit. This way you can be sure that the glass and the post are permanently connected.</p>



E. There is a large gap between my inside and outside post.

Solution 1.

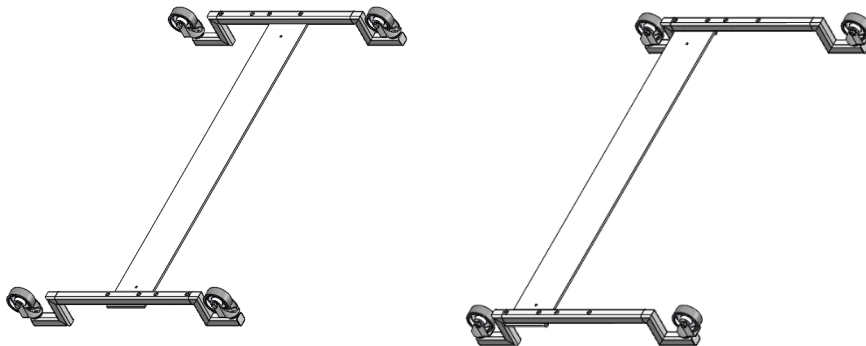
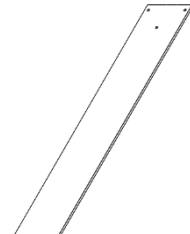
The outside post has slid off the glass: Make sure the screws of the glass plates are fully tightened.

If necessary, cut off a piece of the glass rubber to invisibly replace it with a +-10cm strip of fixing kit. This way you can be sure that the glass and the post are permanently connected.

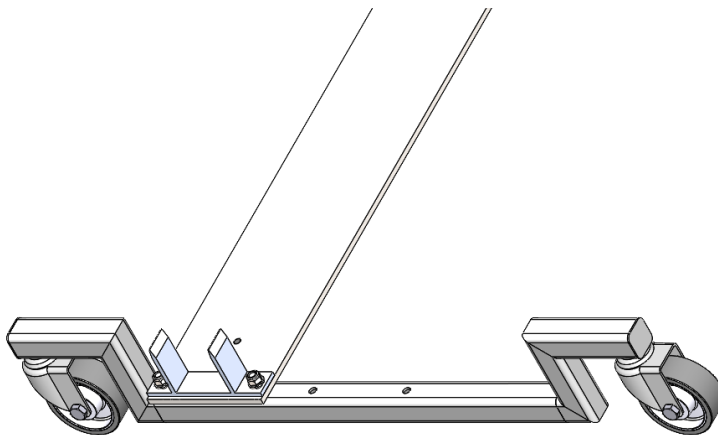


## 10. Assembling base with (or without) planter

1. Place the mounting plate on trestles.
2. Place the tube (with or without wheels) on the mounting plate, with the large holes (for the screw head) facing upwards. The mounting plate can be placed in the middle or at the side. For use with planter, always use the holes at the end.



3. Use the 4 bolts provided to mount the tubes to the mounting plate. Screw all the way through so that the screw turn protrudes from the other side of the mounting plate. The windbreaker mounting feet will fall over this.
4. Turn the assembly over. Place mounting feet of windbreaker over the protruding thread, mount using the nuts provided.



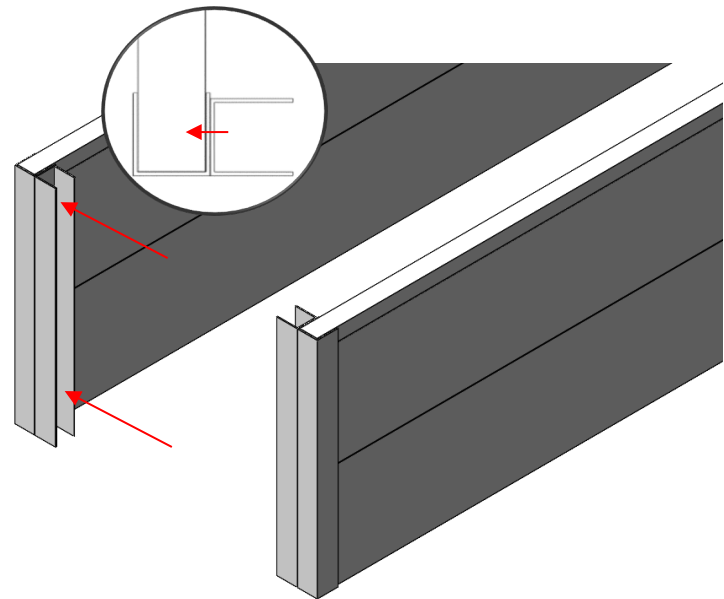


## 5. Assemble the planter.

1. Remove the foil from all parts.
2. Click 2 Grillo panels of the same length together, place the top cover on top. Do this for all lengths, you will have 4 sides.



3. Place the U profile over the ends of the long sides. Press this completely.
4. Place the remaining U profiles at right angles to this (see the image). And screw through both U profiles into the Grillo fence section.

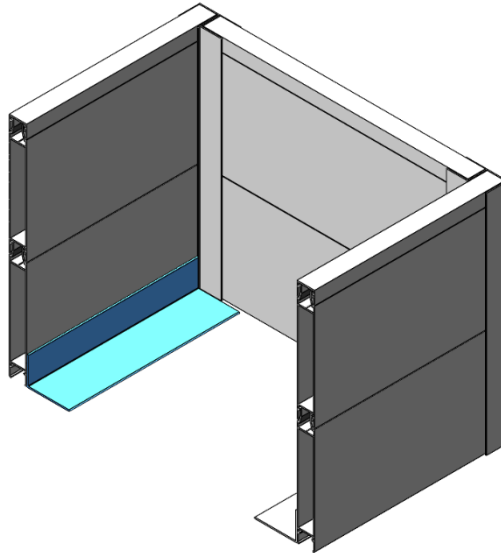


5. Now place the short sides between the u profiles and screw from the inside, through the u profile into the short Grillo fence panels. Make sure the end edges are well seated.

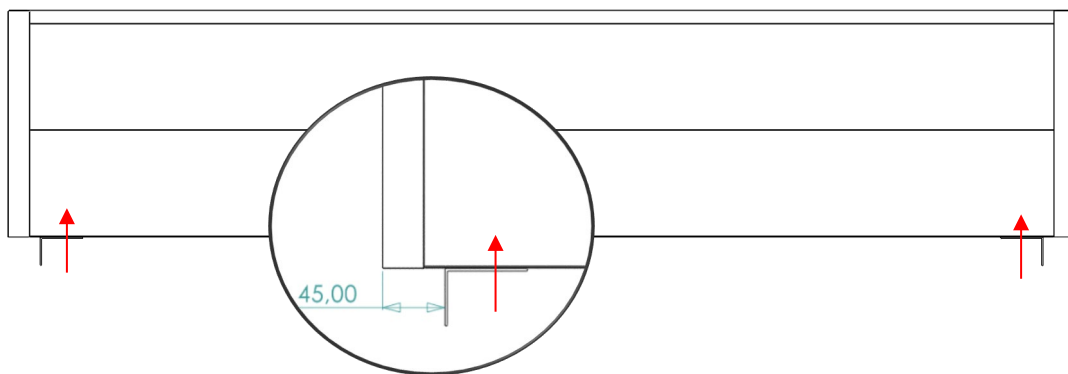




6. Now place the long L profiles on the long inner side. Ensure that the underside of the Grillo fence section and the L profile are aligned.



7. Finally, mount the short L profiles. Place these side down so that they fall between the base frame. Then screw the short L profiles into the long L profiles. With a distance of 45mm from the outside, the tray falls exactly between the base.



8. Then place the polycarbonate plate in the tray.  
9. Fill the tray with sand/earth. Note that the tray should be completely filled to ensure that it does not topple over in strong winds.



## 11. Maintenance

We recommend regular maintenance and cleaning of the windbreaker.

The aluminium profiles can be cleaned with lukewarm water and a neutral cleaning product.

- For cleaning and washing, use water, soft material and a sponge.
- Never use abrasives or aggressive solvents. (No acids or alkalis) However, solvents (washing-up liquid and window cleaner) are, however, permitted to remove greasy dirt.
- Never use a high-pressure cleaner.

## 12. Disposal of waste

Dispose the product in accordance with local laws and regulations.

## 13. Warranty conditions

Warranty according to Deponti's warranty conditions and general terms and conditions.

## 14. Contact

Your Deponti partner is your first point of contact for questions and comments.