

**GENNIUS KE**  
ENJOY THE OUTDOORS



# Saki

**Installation manual (Translation of the original italian text)**

Rev.00 23/02/2023



<b>1</b>	<b>Introduction .....</b>	<b>5</b>
1.1	Symbols used in this manual .....	5
1.2	Personnel requirements.....	5
1.3	Equipment required .....	5
1.4	Screws .....	6
1.5	Packaging Content .....	6
1.6	Main definitions of movement .....	6
<b>2</b>	<b>Safety.....</b>	<b>7</b>
2.1	General safety information.....	7
2.2	Requirements for working in safety .....	7
2.3	Working environment.....	8
2.4	Installation location .....	8
2.5	Warnings for safe use .....	8
<b>3</b>	<b>Intended use .....</b>	<b>9</b>
<b>4</b>	<b>Technical data.....</b>	<b>10</b>
4.1	Exploded views.....	10
4.2	Technical features .....	16
4.3	Installation.....	17
4.4	Load on fixing components, according to the type of attachment.....	20
4.4.1	Wall mounting .....	20
4.4.2	Floor mounting.....	21
4.5	Supports .....	22
<b>5</b>	<b>General installation warnings .....</b>	<b>23</b>
<b>6</b>	<b>Installation material.....</b>	<b>24</b>
<b>7</b>	<b>Installation structure.....</b>	<b>25</b>
7.1	Freestanding installation.....	25
7.1.1	Guides installation .....	25
7.2	Installation with brackets.....	26
7.2.1	Brackets fastening .....	26
7.2.1.1	Wall.....	26
7.2.2	Guides installation .....	27
7.2.2.1	Structure with carrying fabric profiles parallel to the wall.....	27
7.2.2.2	Structure with carrying fabric profiles perpendicular to the wall.....	27
7.3	Fabric installation.....	28
7.4	Columns fastening .....	29
7.5	Squaring of structure .....	29
7.5.1	Freestanding structure.....	29
7.5.2	Structure with carrying fabric profiles parallel to the wall.....	30
7.5.3	Structure with carrying fabric profiles perpendicular to the wall.....	30
7.6	Rope installation .....	31
7.6.1	Freestanding structure.....	31
7.6.2	Structure with carrying fabric profiles parallel to the wall.....	32
7.6.3	Structure with carrying fabric profiles perpendicular to the wall.....	34
<b>8</b>	<b>Maintenance.....</b>	<b>36</b>
8.1	Troubleshooting Table.....	36



# 1 Introduction



**CAUTION**  
*Read the instructions carefully before using the product.*



**CAUTION**  
*Possible presence of an uninsulated "dangerous voltage" inside the product; these are sufficiently high to represent an electrocution hazard.*

This manual has been drafted by the manufacturer to provide the necessary instructions to those authorised to assemble/install the product components.

The operations described herein must be performed by persons with the training/skills required by applicable national standards and legislations (see Ch.Pt.1.2 "Personnel requirements", P. 5).

The pages and content contained within this manual must not be removed, rewritten or modified in any way.

This manual must be kept intact in an easily accessible location until the product is disposed off.

The Manufacturer reserves the right to update its products and their corresponding manuals without any obligation to update previous products and manuals.

The Manufacturer reserves all rights concerning this manual: no reproduction shall be permitted, in whole or in part, without its express written authorisation.

## 1.1 Symbols used in this manual

WARNINGS:



**INFORMATION AND WARNINGS**  
*Instructions and advice to help ensuring correct use and storage of the product. Failure to follow these instructions may compromise the product's integrity and/or strength.*



**CAUTION**  
*Operator hazard! Instructions and warnings to be read and followed carefully. Failure to observe these instructions may put people's safety at risk.*

ICONS INCLUDED IN THIS MANUAL:



Width



Projection

## 1.2 Personnel requirements



*Personnel performing these operations must have technical knowledge of the product acquired by at least two years of experience or by a technical training course.*

## 1.3 Equipment required

To ensure correct assembly of the mechanical and fabric parts, and thereby to ensure that the finished product works optimally, the following equipment is required:

- drill driver
- spirit level
- complete set of tools
- metal detector
- equipment for working at height (trestles, ladders, scaffolding, aerial platforms etc.) which meets applicable health and safety legislation

## 1.4 Screws

Screws UNI 5931-5737-5739	M4	M5	M6	M8	M10	M12	M14	M16
Tightening torque (Nm)	2,9	5,7	10	24,1	30	51	82	126

Screws UNI 5933-DIN 7984	M4	M5	M6	M8	M10	M12	M14	M16
Tightening torque (Nm)	0,9	1,8	3,1	7,6	15	25	40	63

Screws ISO 7380	M4	M5	M6	M8	M10	M12	M14	M16
Tightening torque (Nm)	1,5	3	5	12	24	40	-	-

Screws UNI 5923-5927	M4	M5	M6	M8	M10	M12	M14	M16
Tightening torque (Nm)	0,7	1,5	2,5	6	12	20	30	50

Self-tapping / self-drilling screws (mm)	ø2,2	ø2,9	ø3,5	ø3,9	ø4,2	ø4,8	ø5,5	ø6,3
Tightening torque (Nm)	0,2	0,6	1,1	1,4	1,7	2,5	4	5,4



· A higher tightening torque causes the breakage of the castings and damage to the stainless steel screw. We therefore recommend using torque wrenches and drivers.  
 · Use low-torque electric screwdrivers: applying high torque to stainless-steel hardware can cause the threads to seize, particularly for stainless-stainless or stainless-aluminium screws and threads.

Screws needed for the assembly/installation are:

- UNI 5933 M6x30
- UNI 5933 M8x25
- UNI 7380 M8x16
- UNI 8119 ø4,2x19
- ø4,8x22

## 1.5 Packaging Content

The product is delivered complete with structure (brackets, profiles, extendable arms ...), fabric (only if specified) and manual/motorized control (only if specified) and any optional extras required.

## 1.6 Main definitions of movement

According to EN 12216:



**OPEN / CLOSE:** increase/decrease the light intensity.



**EXTEND / RETRACT:** increase/decrease the coverage area.

## 2 Safety



*Failure to comply with the warnings/requirements automatically invalidates any type of guarantee provided by the Manufacturer. The Manufacturer accepts no responsibility resulting from any failure to comply with the above-mentioned requirements.*



*· The product is designed and manufactured in accordance with the provisions of UNI EN 13561.  
· The product absolves risks as per legislation UNI EN 13561: risks of a mechanical, electrical and ergonomic nature.*



*With regard to resistance to wind, water pockets and snow load see Ch.Pt.4.2 "Technical features", P. 16.*

### 2.1 General safety information

*· Operations of assembly/installation and first use, adjustment and extraordinary maintenance must only be performed by technicians trained and specialised for those tasks, contact Technical Support.  
· The Manufacturer shall not be held responsible for any damage resulting from either tampering or unauthorised modification of the product.*



*· Do not place objects on the awning fabric.  
· It is strictly prohibited to climb on or hang/place any objects from/on the product.  
· Do not install or place fixed/portable objects near the product, such that they reduce the space needed for the product and/or hinder its movement.  
· It is forbidden for people to hang or hold themselves on the product, this would create a serious risk of injury as well as potentially damaging the product itself.  
· Removing safety warnings (adhesive labels) is strictly forbidden.  
· Ensure there is nobody obstructing or excessively close to the product's moving parts when opening and closing.  
· The space made available during the assembly/installation must take into account the space required for the movement and allow closing/extension of product.*



*Do not use open flames near or under the awning: the fabric can catch fire, even if made of non-flammable material.*

### 2.2 Requirements for working in safety



*· Wear the personal protective equipment and any other safety clothing required by health and safety legislation.  
· The operators must follow the safety instructions they have received.  
· All lifting and handling operations must be performed with the utmost care, making absolutely sure that unauthorised persons stay at a safe distance and that no one goes below any suspended loads, whether still or moving.*



*Do not place temporary works (towers, scaffolding, ladders, etc.) close to the product, such that they reduce the space necessary for the product and/or hinder its movement.*



*· Check, prior to use, that any temporary structures (trestles, scaffolding, ladders etc.) and all personal protective equipment (safety slings and harnesses etc.) meet the code and that are in good condition.  
· If the product is to be installed above the ground-floor level of a building, the area must be cordoned off while the product is being lifted to this level to ensure nobody is beneath the suspended load.*

*· The installation must be performed in full compliance with workers' health and safety legislation.  
· Keep a safe distance between moving parts and any fixed obstacles (walls, terraces etc.).  
· If there is more than one installer, the work must be coordinated.*

## 2.3 Working environment



*Assembly and installation operations must be performed in an environment sufficiently lit by natural or artificial light (per applicable standards/legislation). The worker must have good visibility of the work to perform and must also prevent any unauthorised persons from approaching the work zone.*



*· Before installing any product, ensure that static, climate and planning checks have been performed to ensure the product is suitable for the installation in the chosen location.  
· Also check that any necessary authorisation or planning permission has been obtained from the relevant authorities.*

## 2.4 Installation location



*The minimum installation height of the product should comply with applicable legislation if not possible, it is mandatory to install an acoustic alarm in the product equipped with automation.*

- Take note of the following information, required to find the correct fastening position of the brackets, before starting the installation process:
  - product dimensions and width;
  - support bracket dimensions (see Ch.Pt.4.5 "Supports", P. 22);
  - number of supporting arms (only for awnings with arms);
  - side of the product with the remote control mechanism (only if planned);
  - dimensions of the wall/ceiling the product is to be installed on.



*· Use the most suitable wall plugs for the type of wall the product is to be installed on.  
· If the product is to be installed on a ceiling, DO NOT fasten the brackets/profiles to any hollow-pot flooring section; this would risk the product falling with serious consequences for people and damage to the product.*

## 2.5 Warnings for safe use



*· For any doubt, consult the reseller/manufacture BEFORE using the product.  
· The user must inform the reseller/manufacture immediately if any faults/malfunctions should occur on safety devices or if any other dangerous situation should occur.*



*· In the case of adverse weather or snow (see Ch.Pt.4.2 "Technical features", P. 16) return the product to the safety position, open/retract the product completely (non screening). Danger of damage or injury.  
· The operation of the product with snow on the fabric or in freezing temperatures could damage it.  
· The formation of condensation on the fabric should not be considered a defect; it is a natural phenomenon.  
· Never retract the awning when the fabric is wet, to prevent the formation of mould and structural damage (if it continues to rain, open/retract the awning, then close/extend it again as soon as possible to let it dry).*



*Make sure that when opening/closing the product (in any position) there are no visible obstructions (such as leaves, pine cones or other) in the moving parts and in the fabric (only if provided).*



*For products which can be operated from a position where they cannot be seen, or automatically by weather sensors, the user must adopt appropriate organisational measures to prevent the activation of the product when maintenance operations are being performed in the area, such as windows or walls' cleaning.*



*Do not pour any water discharge from roofs, gutters, etc on the coverage and make sure that there are no foreign bodies such as leaves, pine cones or other; this could reduce the water drainage capacity to the covering discharge system.*



*All measurements are given in millimetres unless otherwise indicated.*



*Some figures could be of a general nature and not be referred to the product at issue.*



### **3 Intended use**

The product has been designed to provide protection against solar radiation, allowing adjustment of the energy and/or optical-luminous parameters due to sunlight.

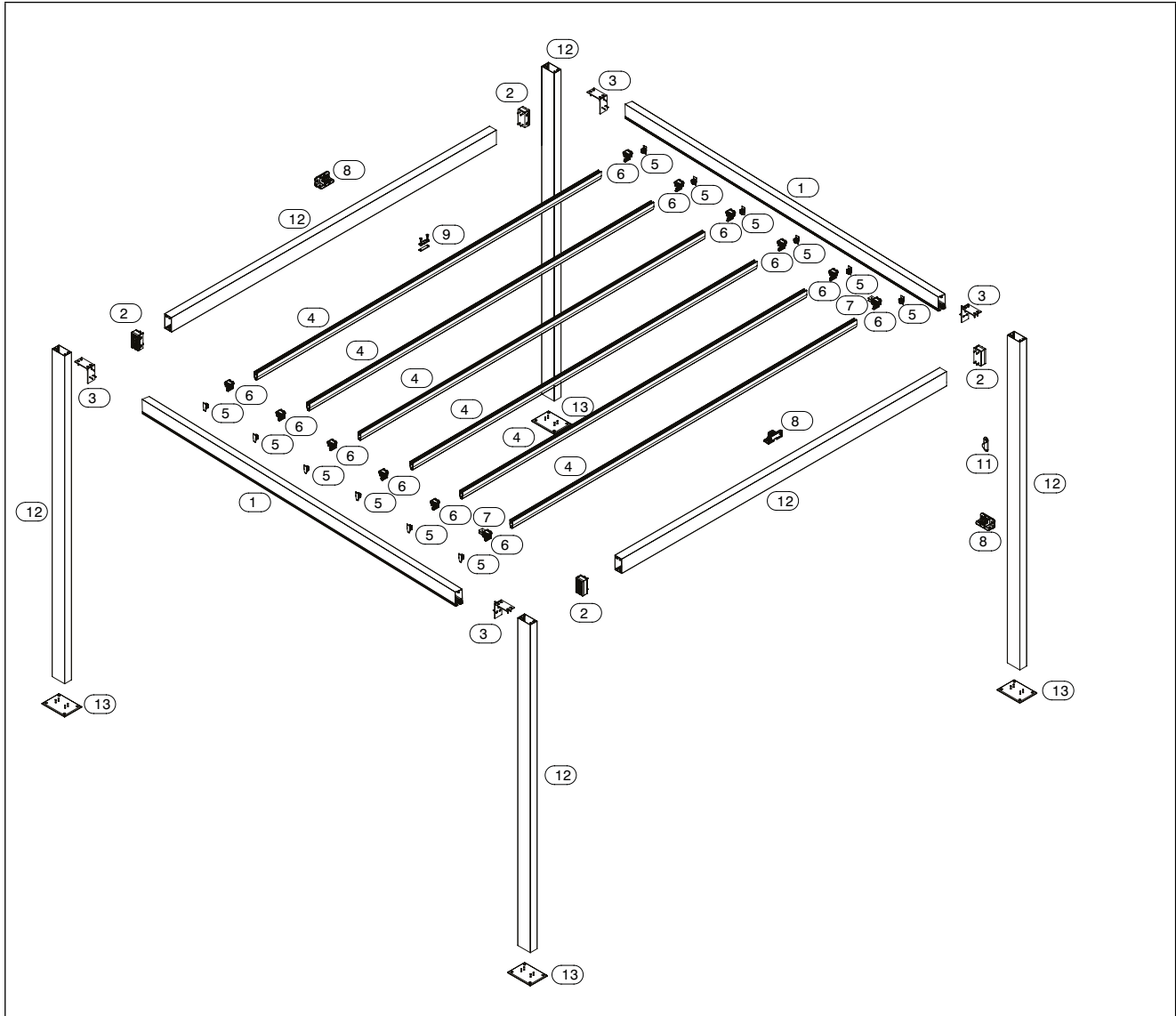
According to UNI EN 12216, the product is defined as:

**PERGOLA AWNING:** awning intended for horizontal handling and packing of the fabric for reaching and remaining in the maximum opening and closing positions and, if necessary, the intermediate ones. The tensioning of the fabric, supported by intermediate profiles spaced at a constant pitch, takes place through the terminal piece that slides on lateral guides, moved by a rope/belt system.

It can be installed outdoors as a cover for terraces and balconies, supported on the building with wall (or ceiling) brackets or with freestanding columns; or as a cover on existing structures (winter gardens, glass roofs) with freestanding guides.

## 4 Technical data

### 4.1 Exploded views



**Pic. 1 FREESTANDING STRUCTURE**

1	Guide profile	9GAL--742004
2	Lateral rod support	9CSF--742011
3	L bracket	9CSU--753001
4	Single fabric carrying profile	9FOT--750004
5	End cap for single fabric carrying profile	9TRX--750001
6	Trolley	9CRT--683001
7	Trolley locking set	9KLC--753001
8	Pulley for deflection rope	9CRR--753001
9	Rope lock	9BLC--750001
10	Ø5mm PVC rope	9OPX--130001

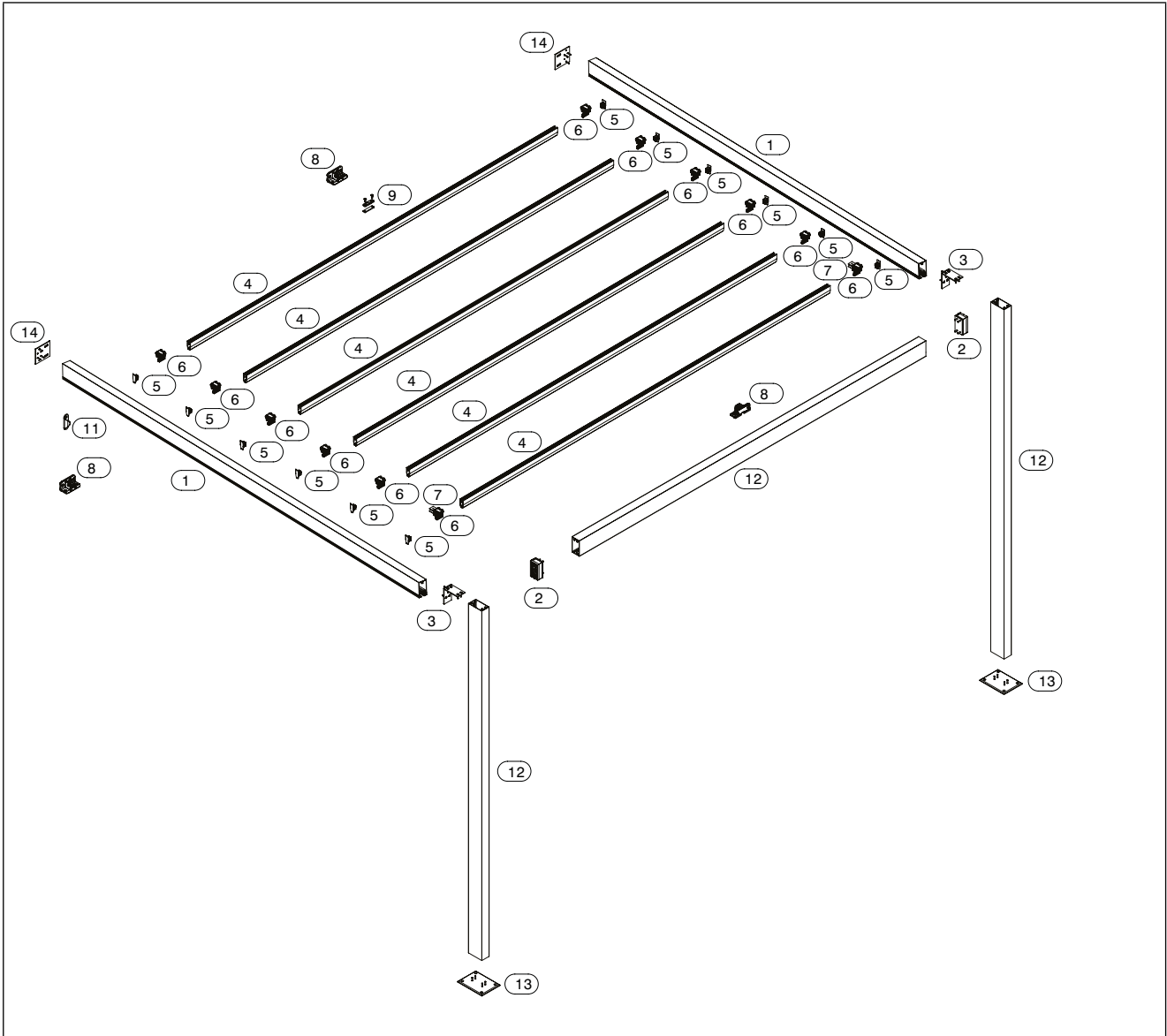
**Installation manual (Translation of the original italian text)**

---

11	Cleat	9BLC--753001
12	Column profile	9FLX--742004
13	Foot	9PIE--753001
14	Wall bracket	9CSU--753101
15	Double fabric carrying profile	9FOT--750104
16	End cap for double fabric carrying profile	9TRX--750101
17	Wrap-rope handle	9MAX--130001



*This list of accessories may not be updated. Check the correspondence of standard, alternative and optional components with the current price list.*



**Pic. 2 STRUCTURE WITH CARRYING FABRIC PROFILES PARALLEL TO THE WALL**

1	Guide profile	9GAL--742004
2	Lateral rod support	9CSF--742011
3	L bracket	9CSU--753001
4	Single fabric carrying profile	9FOT--750004
5	End cap for single fabric carrying profile	9TRX--750001
6	Trolley	9CRT--683001
7	Trolley locking set	9KLC--753001
8	Pulley for deflection rope	9CRR--753001
9	Rope lock	9BLC--750001
10	Ø5mm PVC rope	9OPX--130001
11	Cleat	9BLC--753001
12	Column profile	9FLX--742004

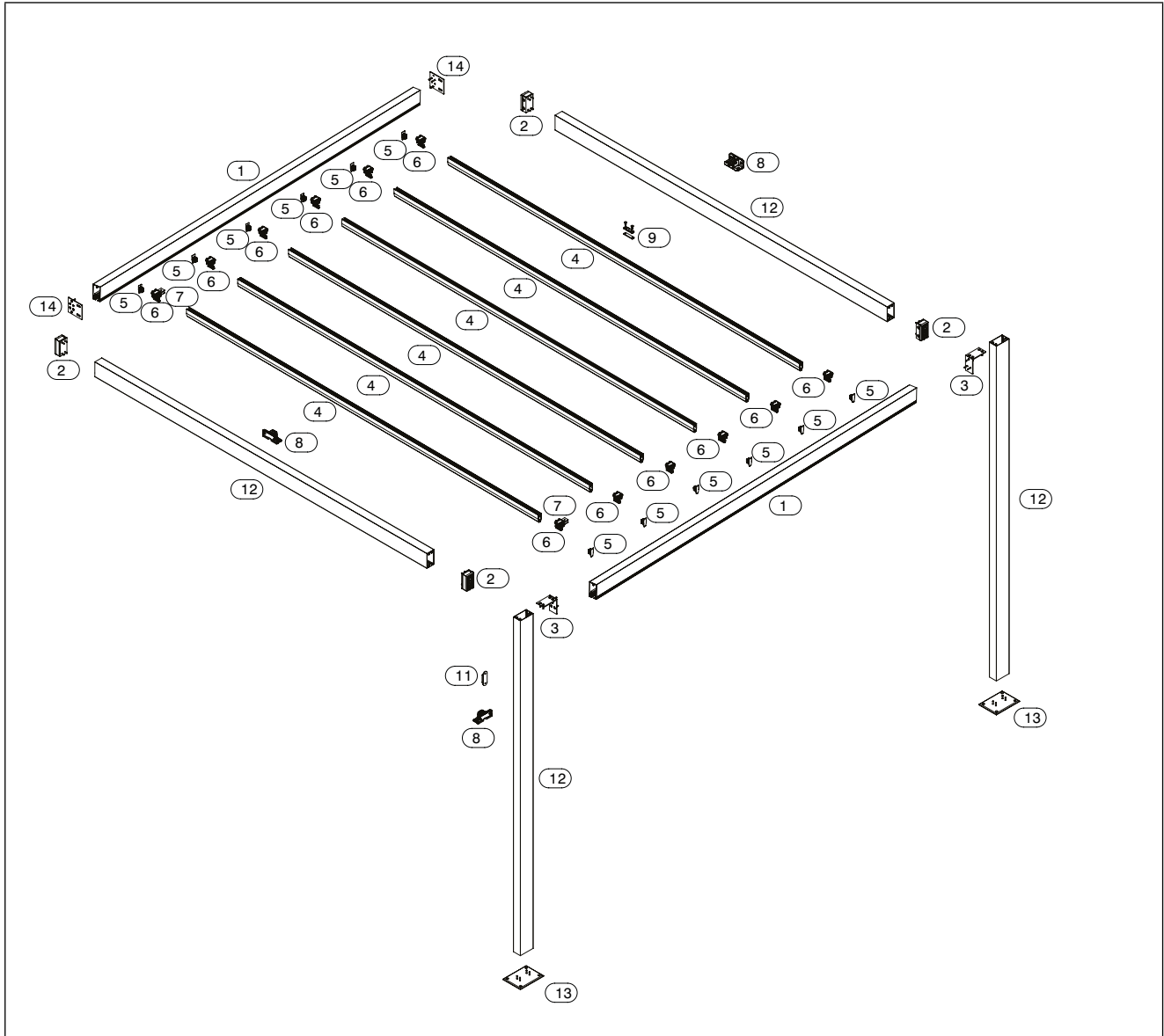
Installation manual (Translation of the original italian text)

---

13	Foot	9PIE--753001
14	Wall bracket	9CSU--753101
15	Double fabric carrying profile	9FOT--750104
16	End cap for double fabric carrying profile	9TRX--750101
17	Wrap-rope handle	9MAX--130001



*This list of accessories may not be updated. Check the correspondence of standard, alternative and optional components with the current price list.*



**Pic. 3 STRUCTURE WITH CARRYING FABRIC PROFILES PERPENDICULAR TO THE WALL**

1	Guide profile	9GAL--742004
2	Lateral rod support	9CSF--742011
3	L bracket	9CSU--753001
4	Single fabric carrying profile	9FOT--750004
5	End cap for single fabric carrying profile	9TRX--750001
6	Trolley	9CRT--683001
7	Trolley locking set	9KLC--753001
8	Pulley for deflection rope	9CRR--753001
9	Rope lock	9BLC--750001
10	Ø5mm PVC rope	9OPX--130001
11	Cleat	9BLC--753001
12	Column profile	9FLX--742004

Installation manual (Translation of the original italian text)

---

13	Foot	9PIE--753001
14	Wall bracket	9CSU--753101
15	Double fabric carrying profile	9FOT--750104
16	End cap for double fabric carrying profile	9TRX--750101
17	Wrap-rope handle	9MAX--130001



*This list of accessories may not be updated. Check the correspondence of standard, alternative and optional components with the current price list.*

## 4.2 Technical features

Dimensions (mm) and weight (Kg)	
Min. width (mm)	1000
Max. width (mm)	4000
Min. projection (mm)	1000
Max. projection (mm)	4000
Max. approx. weight (Kg)*	125

Safety performance per EN1932 / EN13561**	
Total transmittance of solar energy $g_{tot}$	see CE marking
Wind resistance class	2

### MOTOR

Information	
Type	see manual for installed motor
Specifications	CE marking; approved for sun awnings



*(\*) The total weight on the table refers to the complete product with all components on maximum size, not including gear or motor.*



*(\*\*) Values referred to the product fully extended.*



*For those configurations that are not in the table, please refer to the project drawing.*



*The product's dimensional tolerances comply with EN13561 provision.*

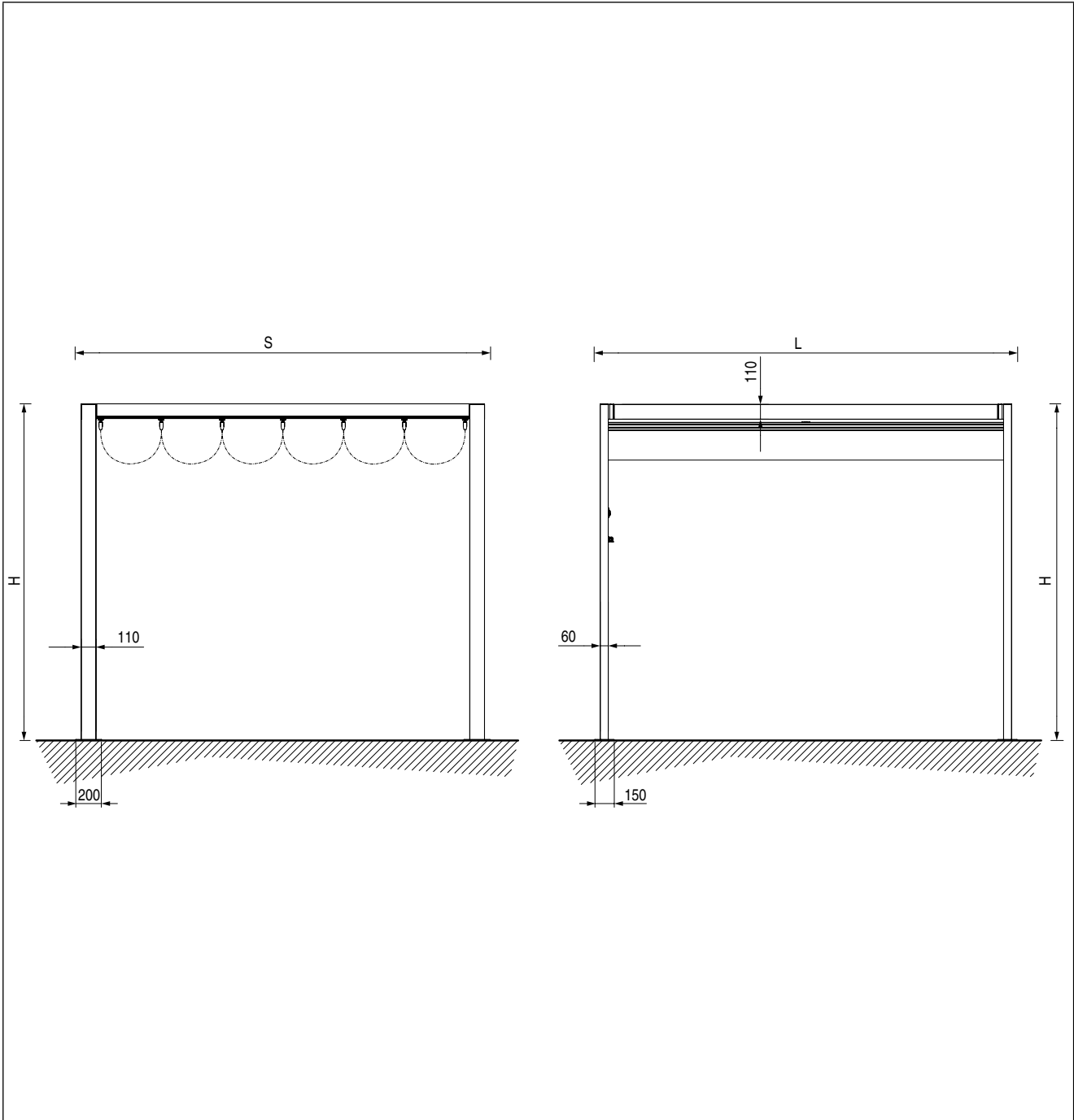


*The maximum load permitted for non-retractable parts is 800 Pa.*

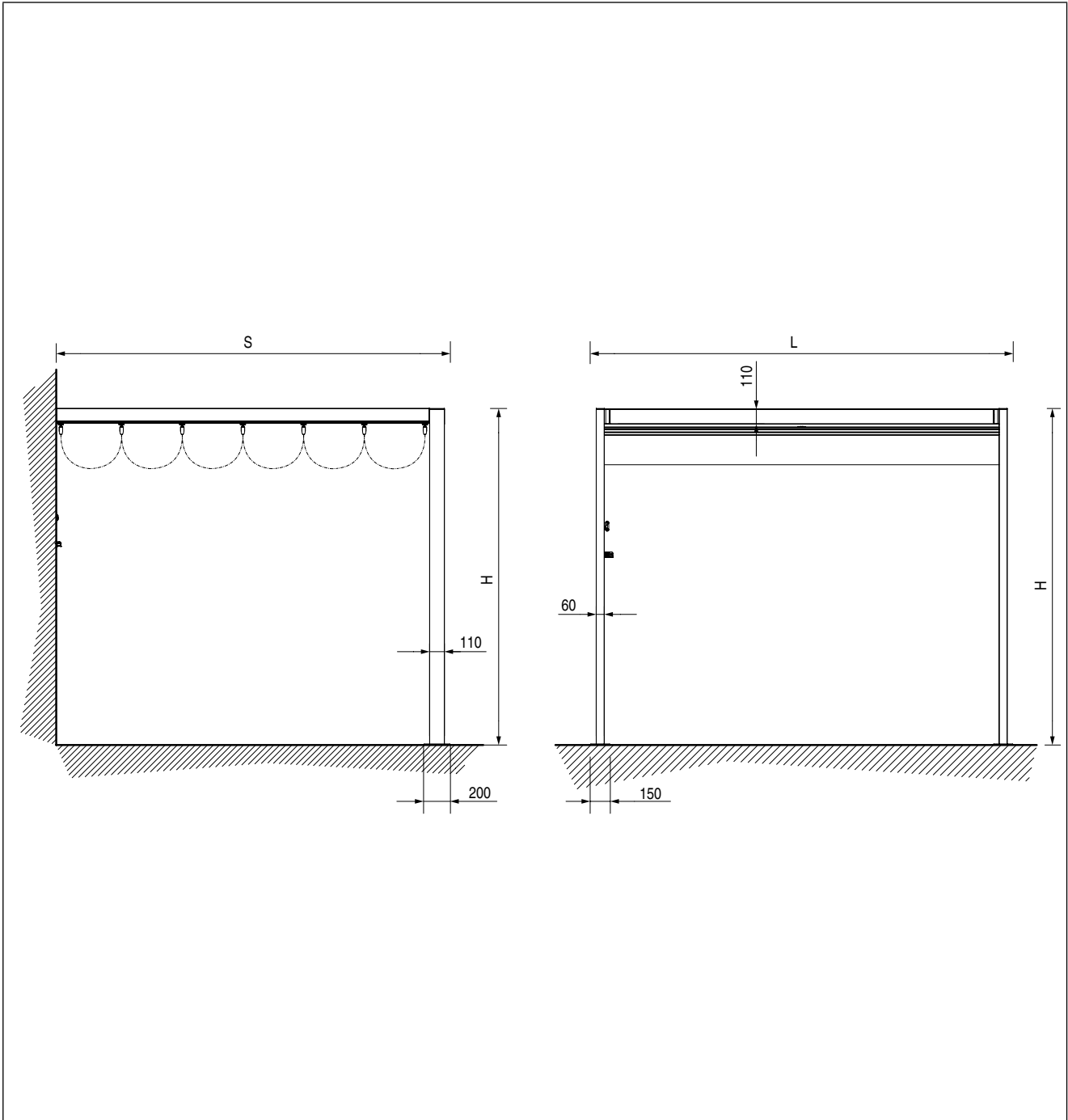


## 4.3 Installation

### FREESTANDING INSTALLATION



Pic. 4 FREESTANDING STRUCTURE



Pic. 5 STRUCTURE WITH CARRYING FABRIC PROFILES PARALLEL TO THE WALL

### 4.4 Load on fixing components, according to the type of attachment



- Plugs calculations have been carried out considering their wind resistance class, in accordance to the legislation EN 13561.
- It is advisable to use all the available button holes on the stirrup. In the event that it is not possible, use the ones indicated in the figure.
- The information stated below are updated to the best of our knowledges. Still, it is a user's responsibility to apply them properly.
- The decision of the most appropriate fixing component depends on both the type of our basic material and on the physical state thereof. The verification of the material's basic status it's assigned to the installer before fixing the product.
- The decision regarding the fixing component must be carried out verifying the recommended loading values, which are listed in the supplier of reference's General Catalogue.
- In case of a corrosive environment, it is advisable the use of stainless-steel fixing components.

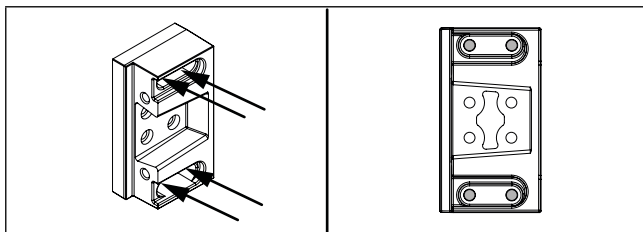
The value in the table is in kN and expresses the extraction load of the plug that is under the greatest stress. These values are required for the selection of the most suitable anchoring, based on the type of material upon which the product will be installed.

Example: awning with floor mount

- Awning dimensions: 400x400 - load on wall plug: 1,68 kN - Basic material: C20/25 non-cracked concrete.

Recommended plug according to Hilti's General Catalogue: HLC 10.

#### 4.4.1 Wall mounting



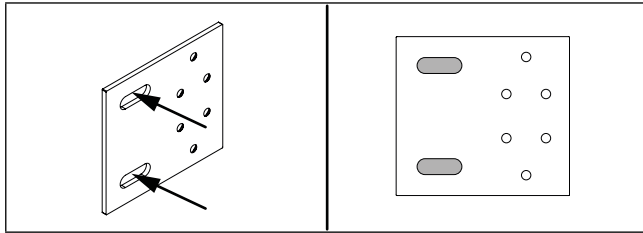
LATERAL ROD SUPPORT

Pic. 7

kN		(cm)				
		200	250	300	350	400
	200	0,48	0,65	0,84	1,07	1,34
	250	0,60	0,81	1,05	1,34	1,68
(cm)	300	0,72	0,97	1,26	1,61	2,02
	350	0,85	1,13	1,47	1,88	2,35
	400	0,97	1,30	1,69	2,15	2,69





## Installation manual (Translation of the original italian text)

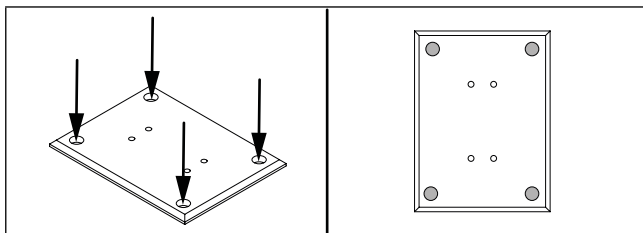


WALL BRACKET

Pic. 8



kN		 (cm)				
		200	250	300	350	400
	200	0,47	0,62	0,80	1,00	1,23
	250	0,59	0,78	0,99	1,25	1,54
 (cm)	300	0,70	0,93	1,19	1,50	1,85
	350	0,82	1,09	1,39	1,75	2,16
	400	0,94	1,24	1,59	2,00	2,46

## 4.4.2 Floor mounting

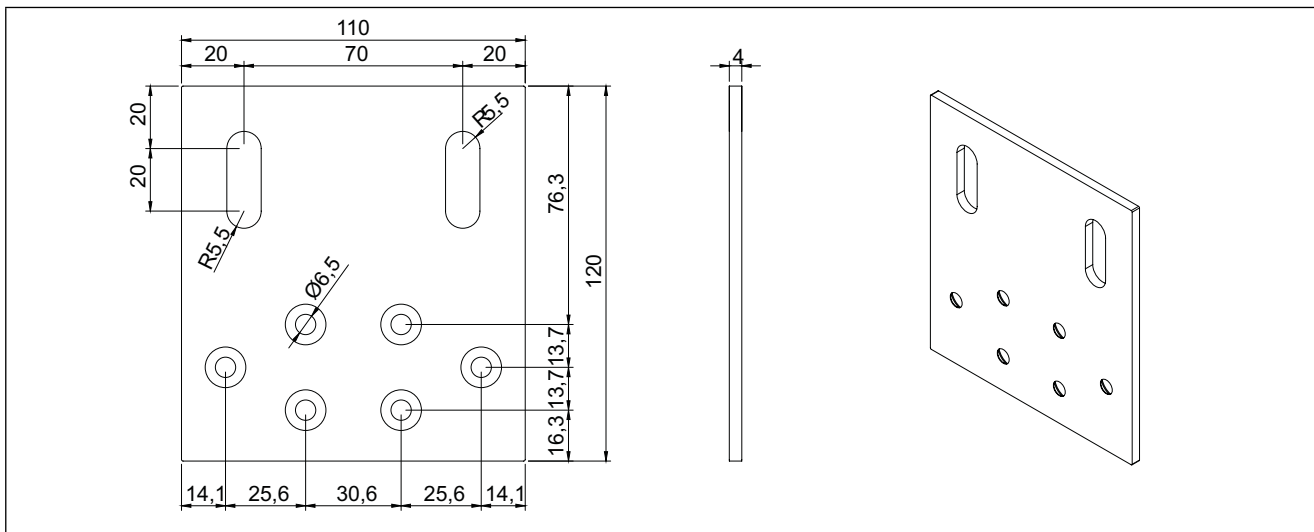


FOOT

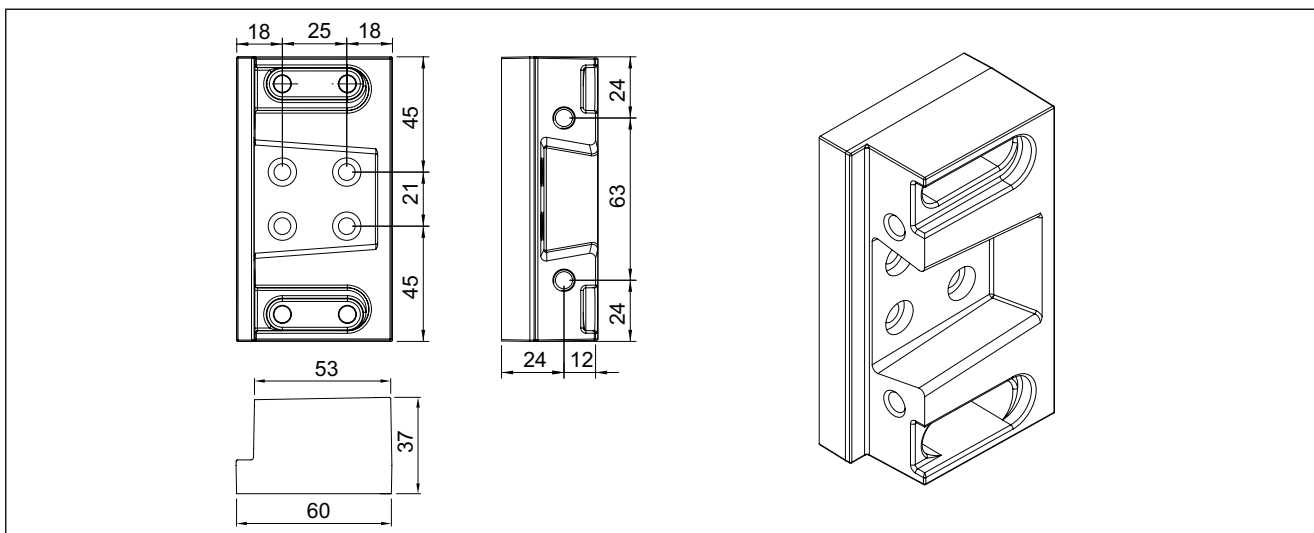
Pic. 9

kN		 (cm)				
		200	250	300	350	400
	200	0,42	0,53	0,63	0,74	0,84
	250	0,53	0,66	0,79	0,92	1,05
 (cm)	300	0,63	0,79	0,95	1,10	1,26
	350	0,74	0,92	1,10	1,29	1,47
	400	0,84	1,05	1,26	1,47	1,68

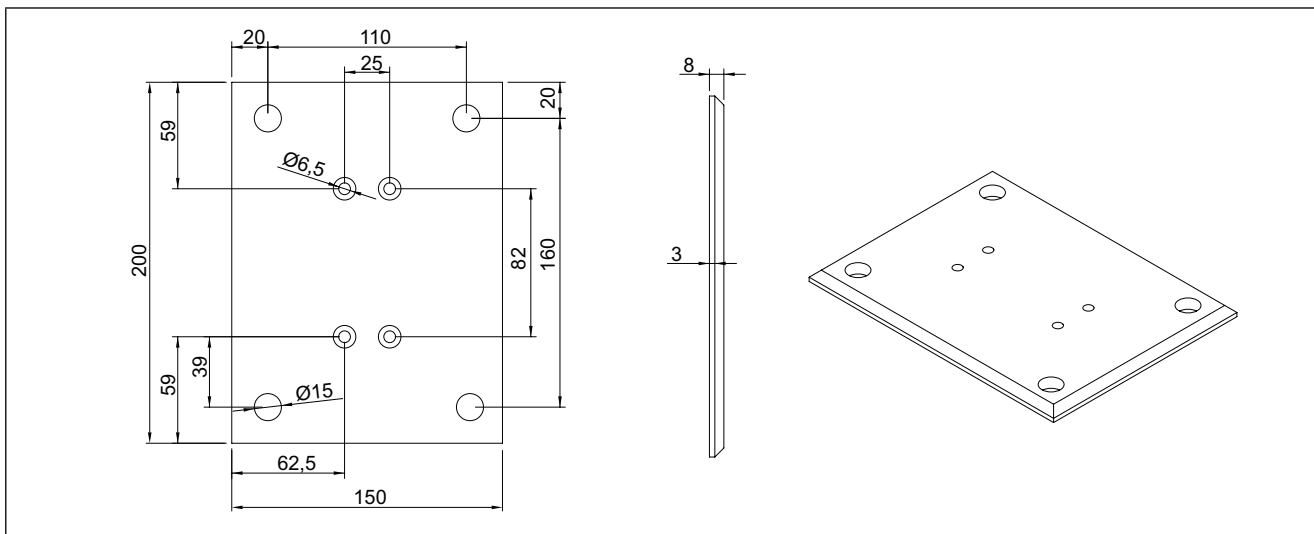
### 4.5 Supports



Pic. 10 Wall bracket



Pic. 11 Lateral rod support



Pic. 12 Foot

## 5 General installation warnings

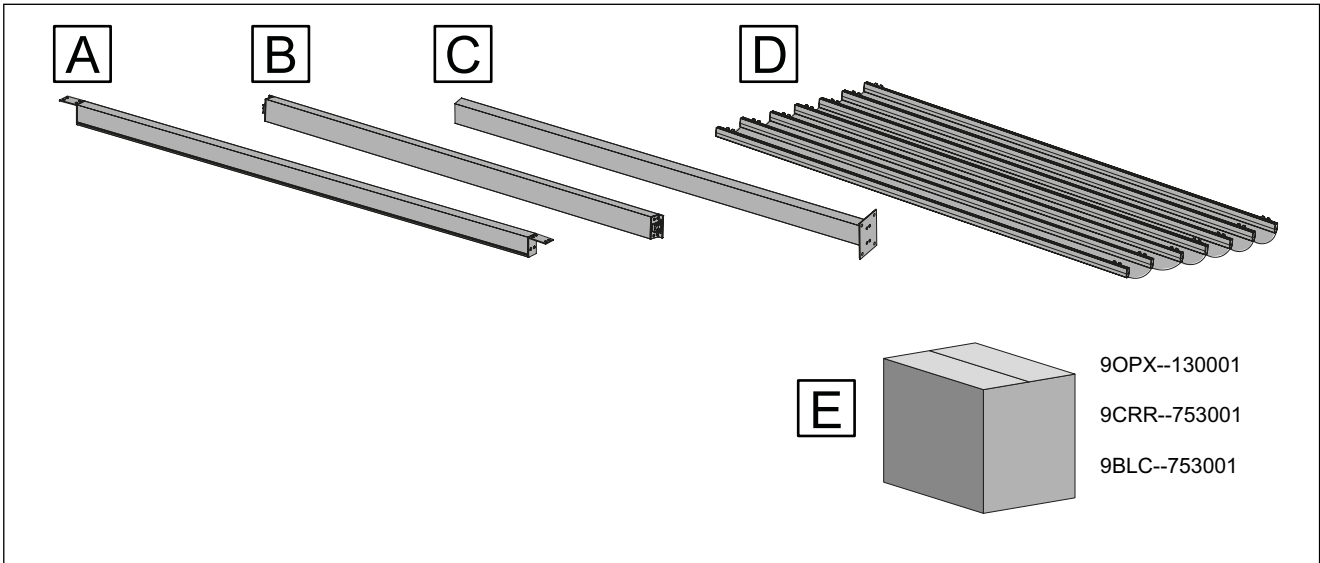


*Lubricate all moving parts (pins, caps, hinged parts, chain ...) before assembling them.*



*Use a silicone-based lubricant for self-tapping and self-drilling screws.*

## 6 Installation material



Pic. 13 A) guides; B) crossbeam; C) columns; D) fabric; E) miscellaneous accessories

## 7 Installation structure



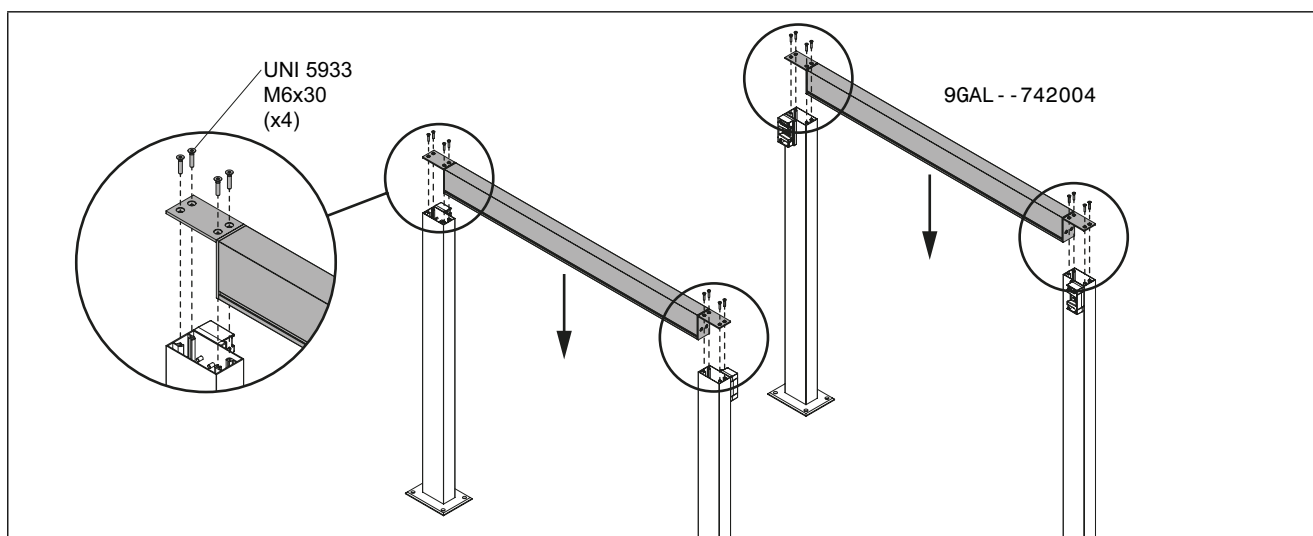
*Before starting the installation, the technician must cut the profile based on the product size (see the Assembly Manual).*

### 7.1 Freestanding installation

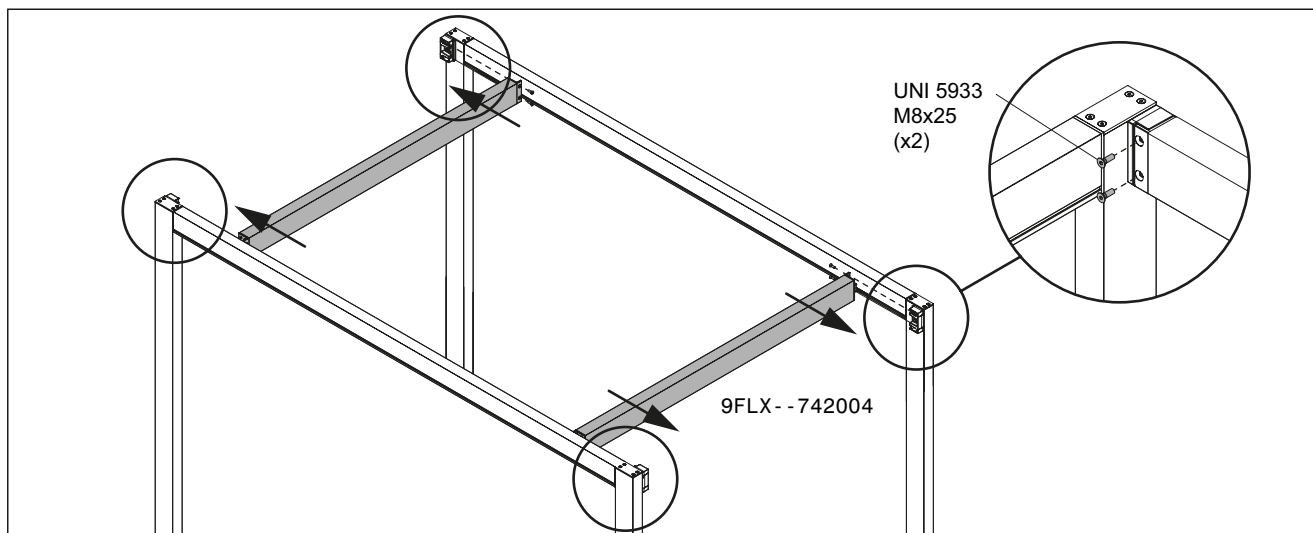
#### 7.1.1 Guides installation



*Do not fully tighten screws before squaring the structure, see Ch.Pt.7.5 "Squaring of structure", P. 29.*



Pic. 14



Pic. 15

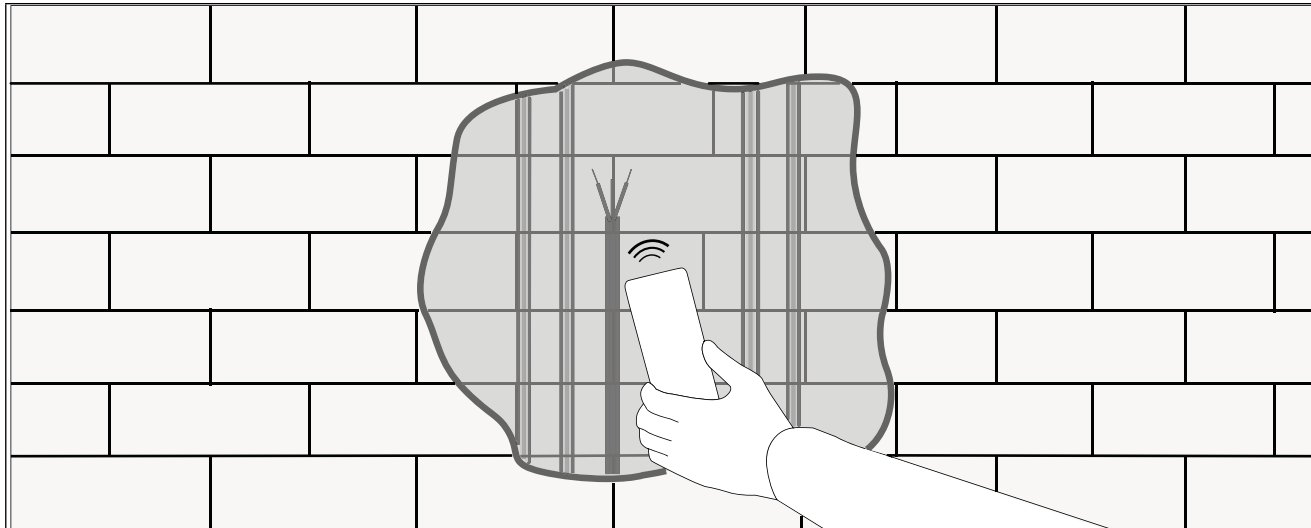


## 7.2 Installation with brackets

### 7.2.1 Brackets fastening

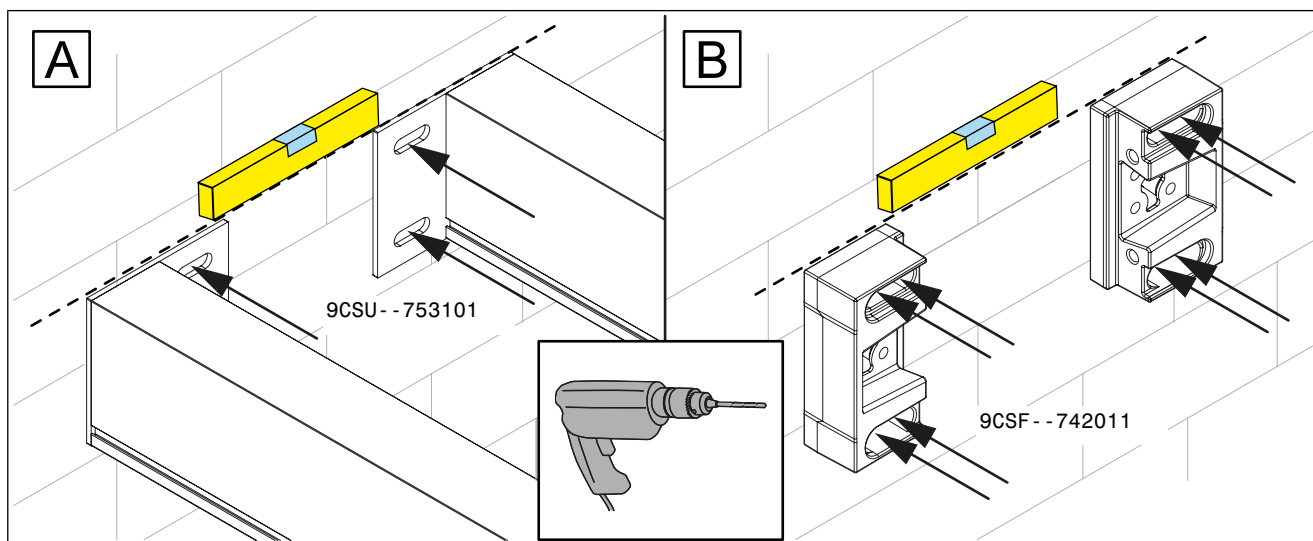


Using the metal detector, check for plants before drilling to install the brackets.



Pic. 16

#### 7.2.1.1 Wall

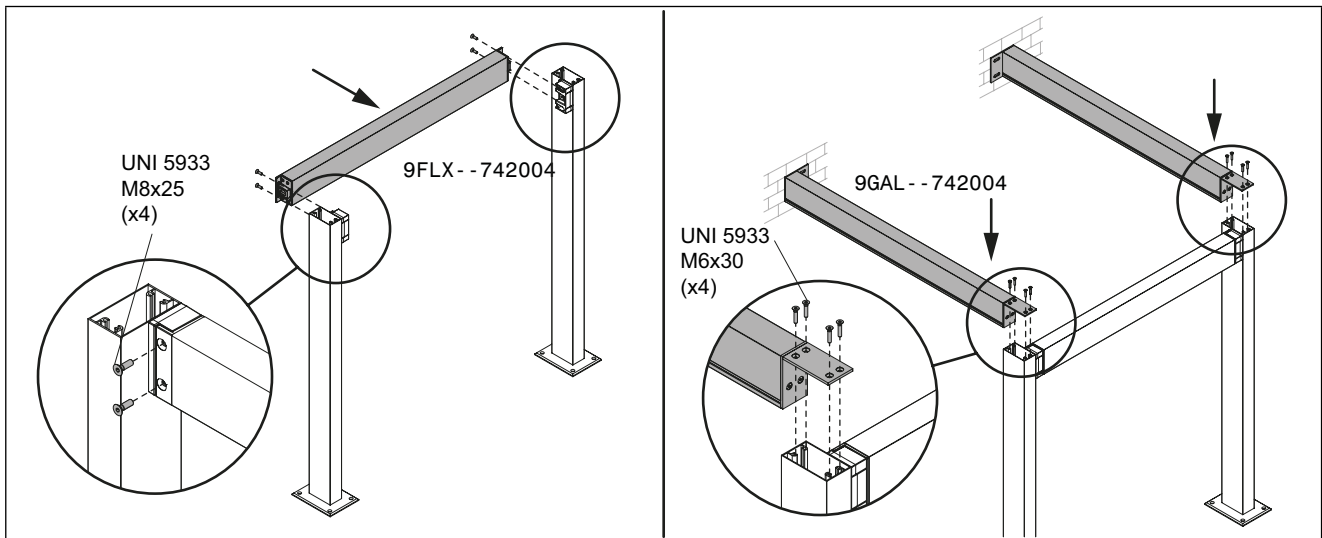


Pic. 17 A) Structure with carrying fabric profiles parallel to the wall; B) Structure with carrying fabric profiles perpendicular to the wall

## Installation manual (Translation of the original italian text)

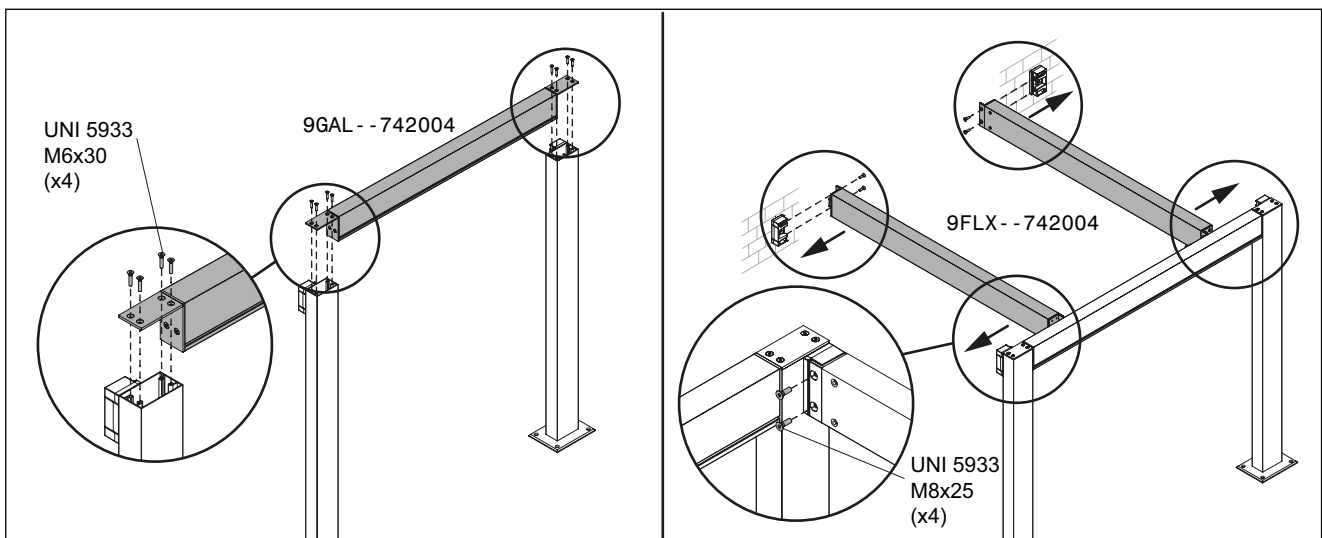
### 7.2.2 Guides installation

#### 7.2.2.1 Structure with carrying fabric profiles parallel to the wall

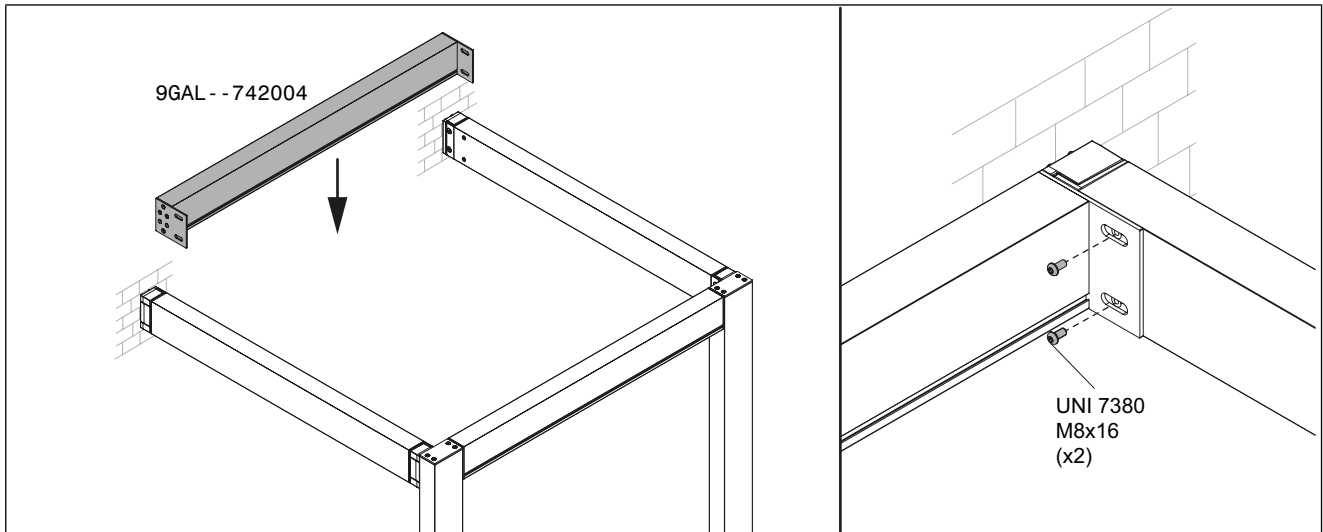


Pic. 18

#### 7.2.2.2 Structure with carrying fabric profiles perpendicular to the wall

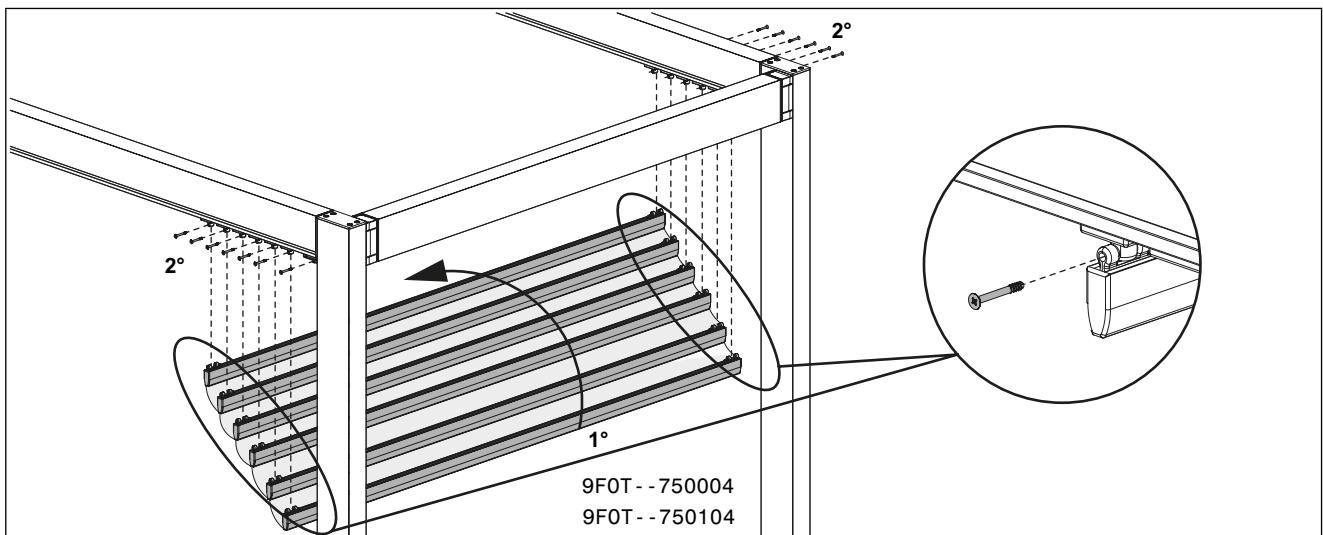


Pic. 19



Pic. 20

### 7.3 Fabric installation

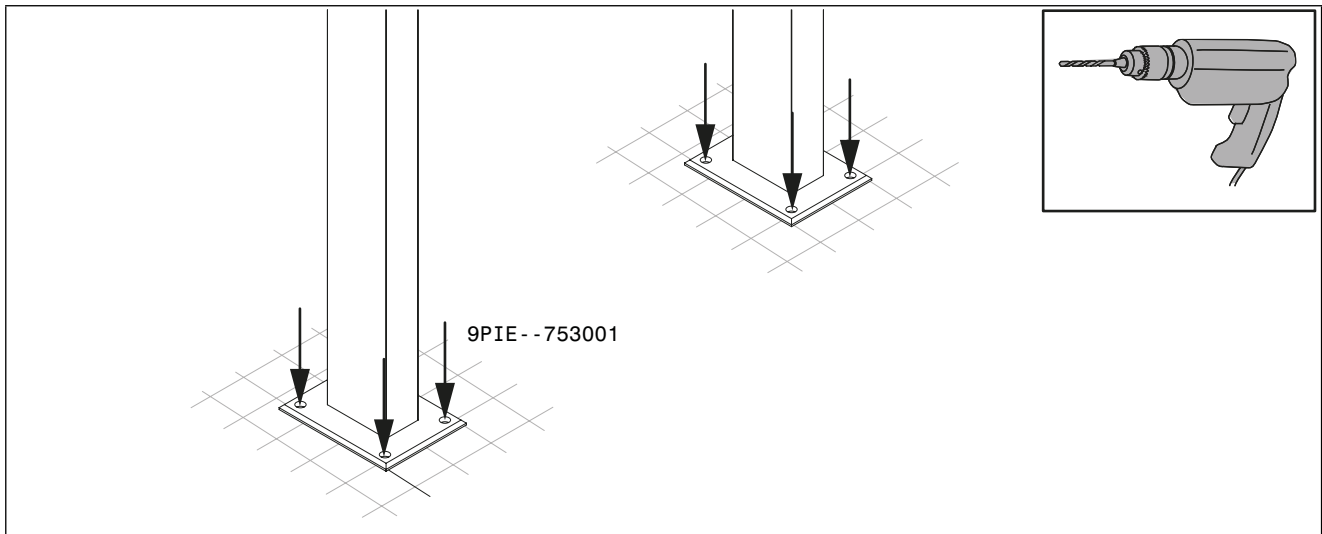


Pic. 21

## 7.4 Columns fastening



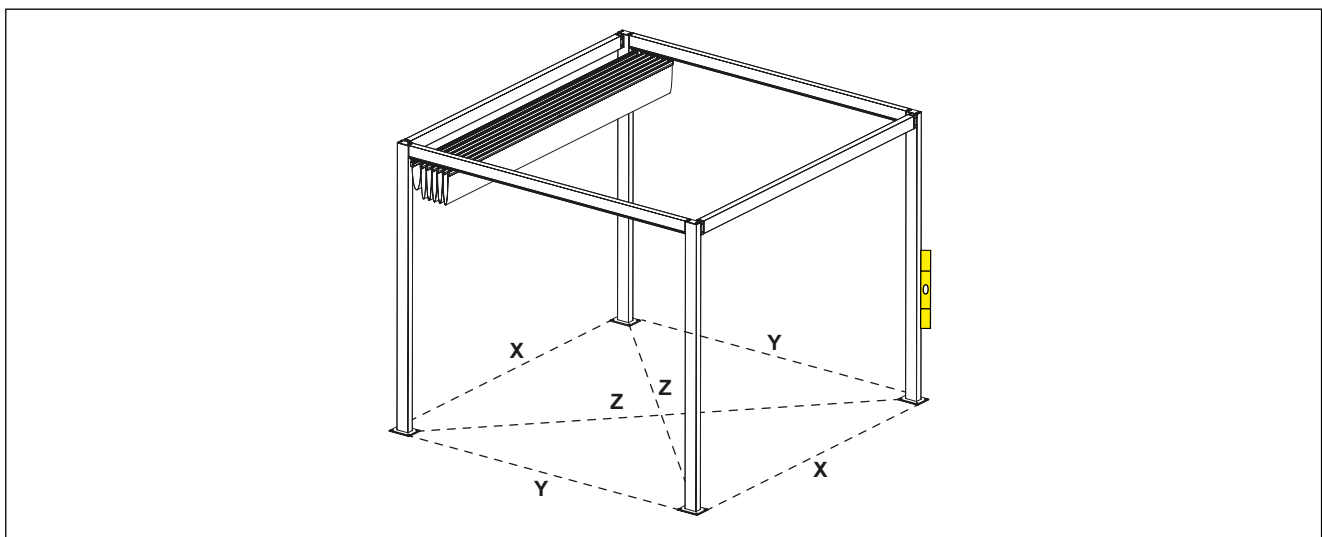
*Do not fully tighten screws before squaring the structure, see Ch.Pt.7.5 "Squaring of structure", P. 29.*



Pic. 22

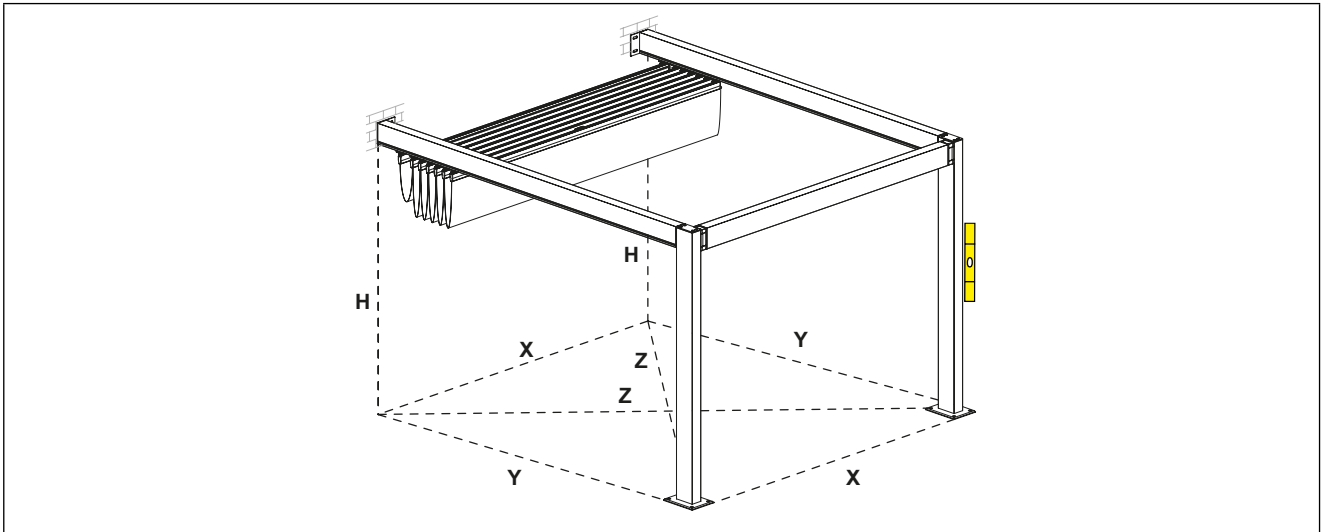
## 7.5 Squaring of structure

### 7.5.1 Freestanding structure



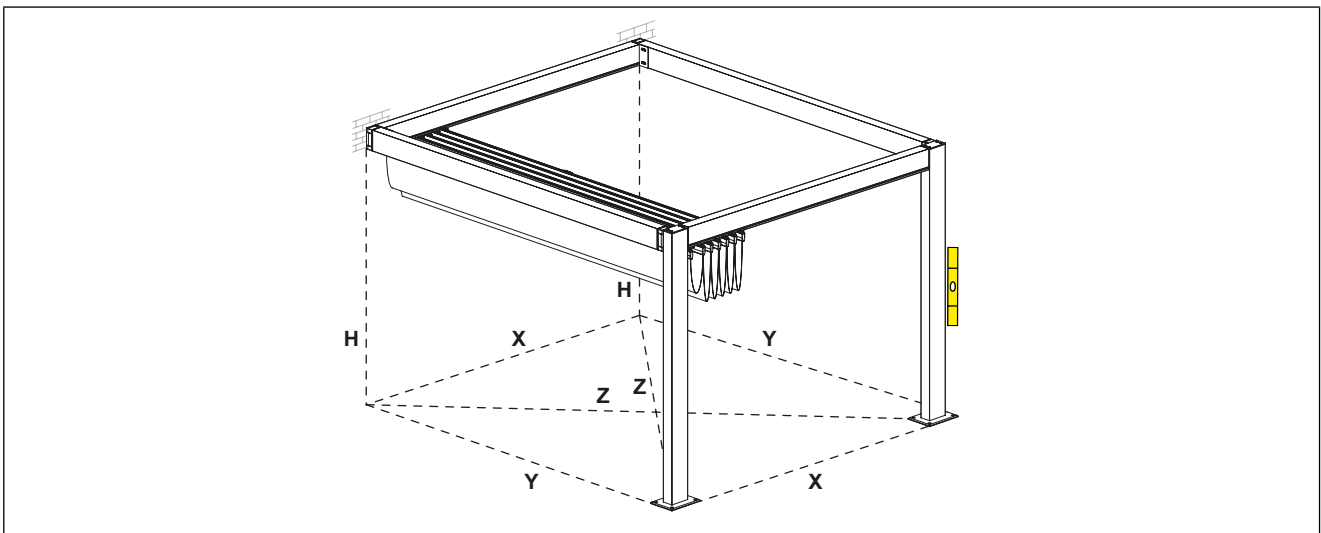
Pic. 23

**7.5.2 Structure with carrying fabric profiles parallel to the wall**



Pic. 24

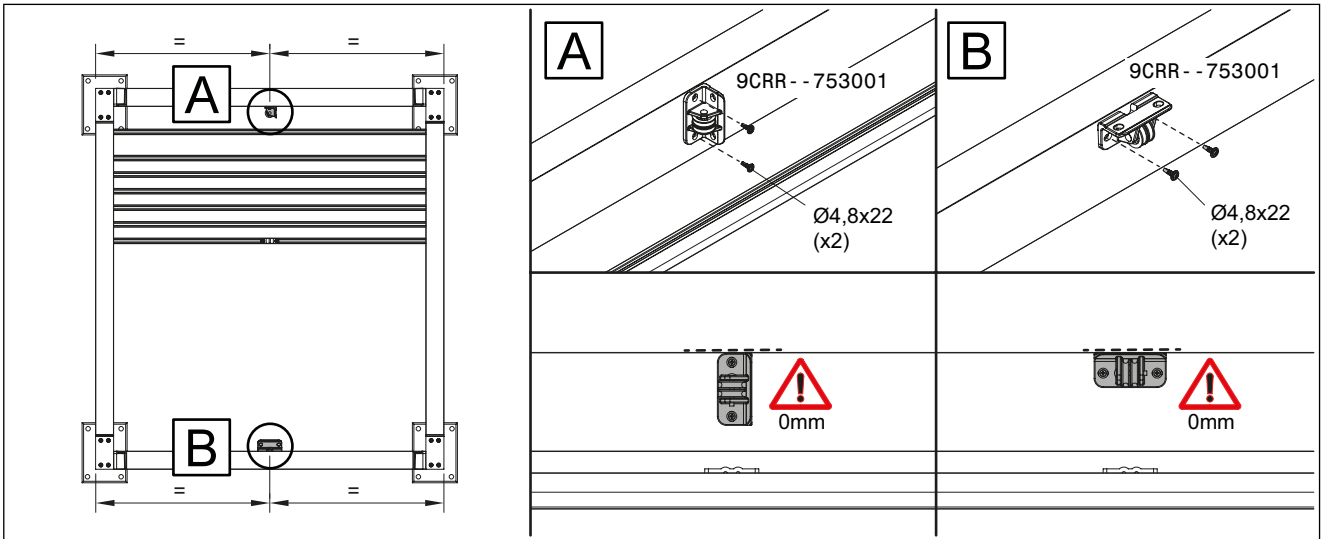
**7.5.3 Structure with carrying fabric profiles perpendicular to the wall**



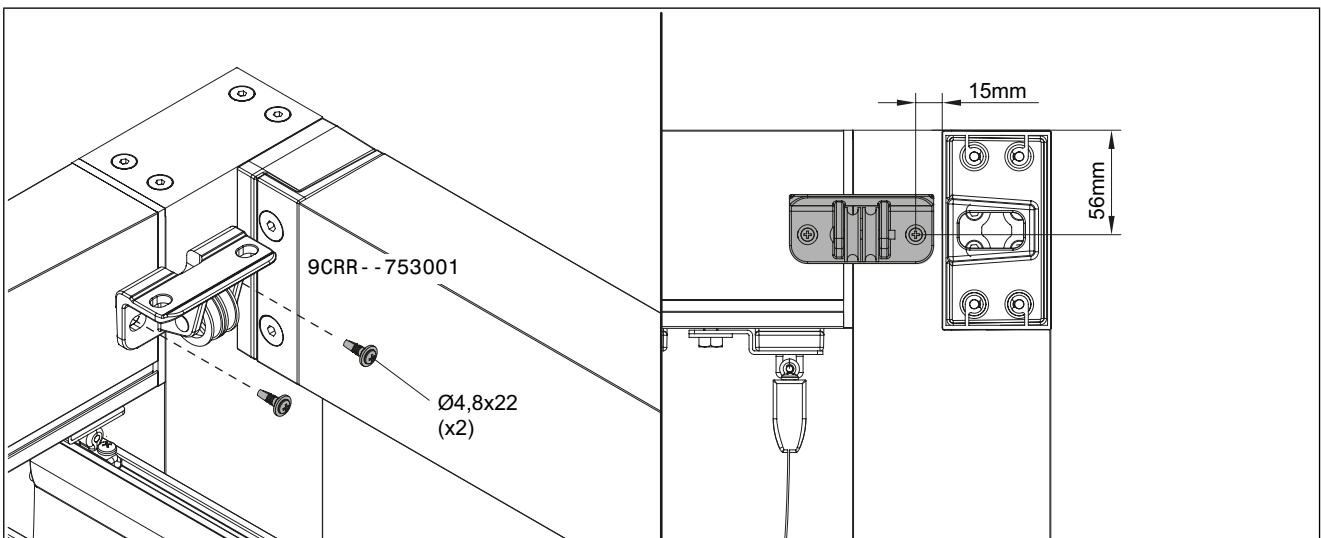
Pic. 25

### 7.6 Rope installation

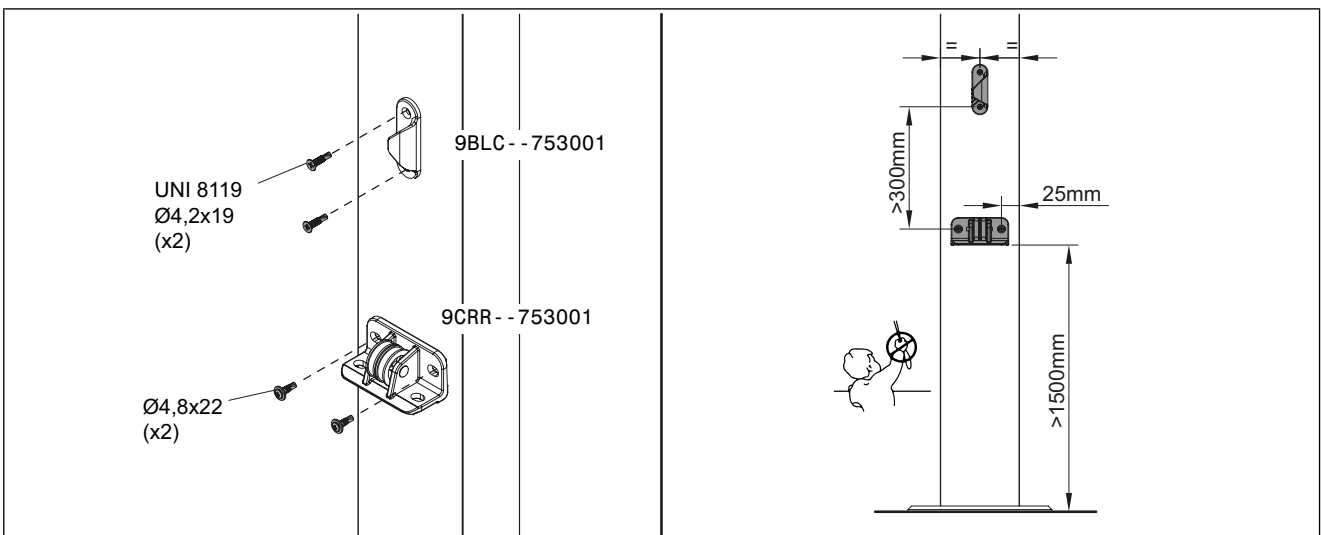
#### 7.6.1 Freestanding structure



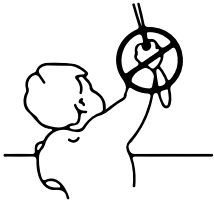
Pic. 26



Pic. 27

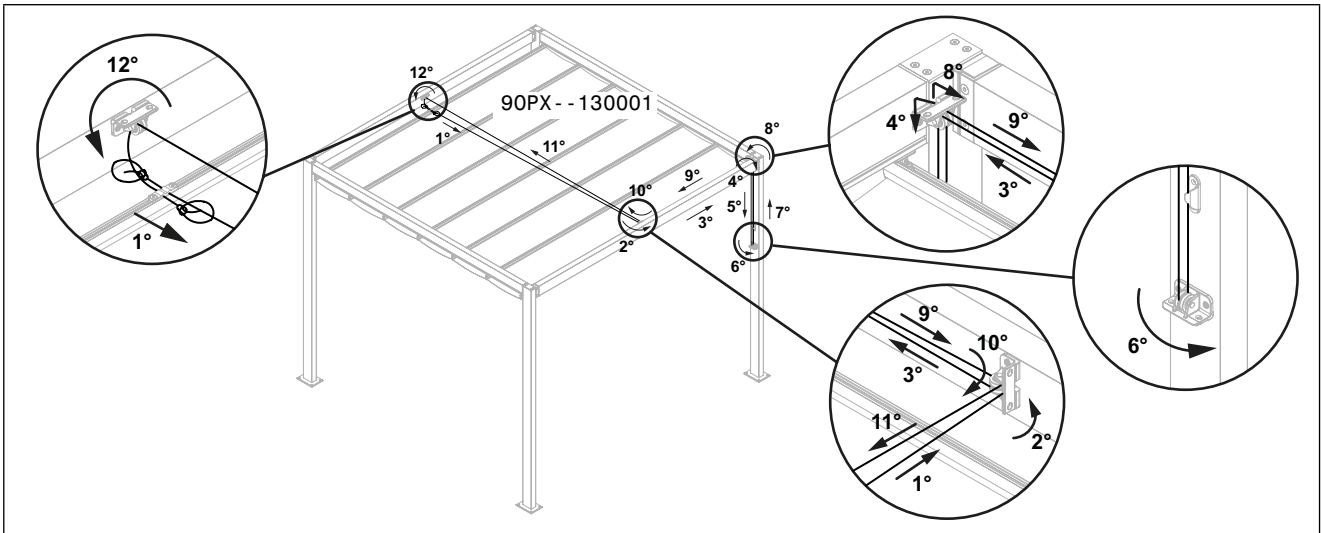


Pic. 28



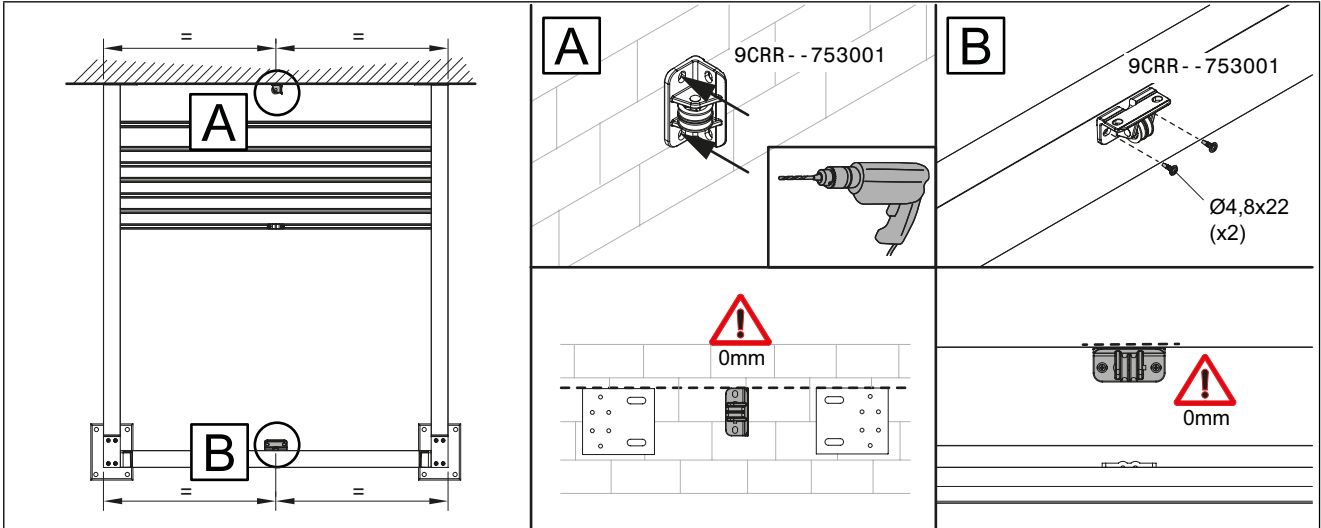
**WARNING**

- Children can be strangled by nooses of ropes, chains, command tapes and handling belts that operate the product.
- To avoid strangulation and tangling, keep ropes out of reach of children. Ropes can wrap around children's neck.
- Move beds, strollers and furnitures away from window covers with ropes.
- Do not tight ropes together. Make sure ropes do not twist and make nooses.



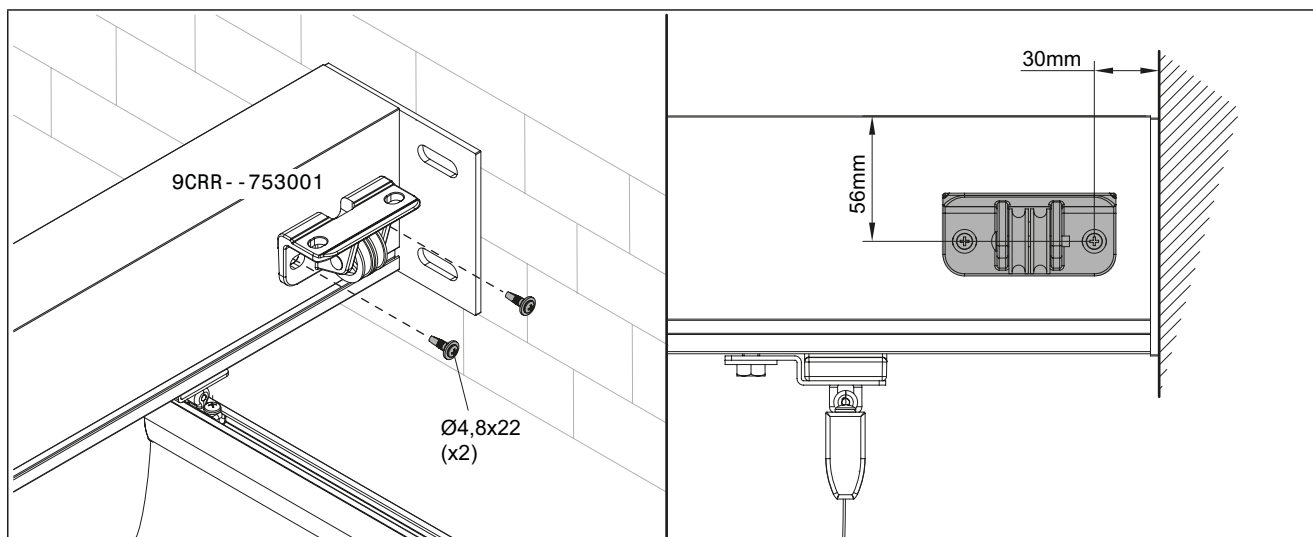
Pic. 29

**7.6.2 Structure with carrying fabric profiles parallel to the wall**

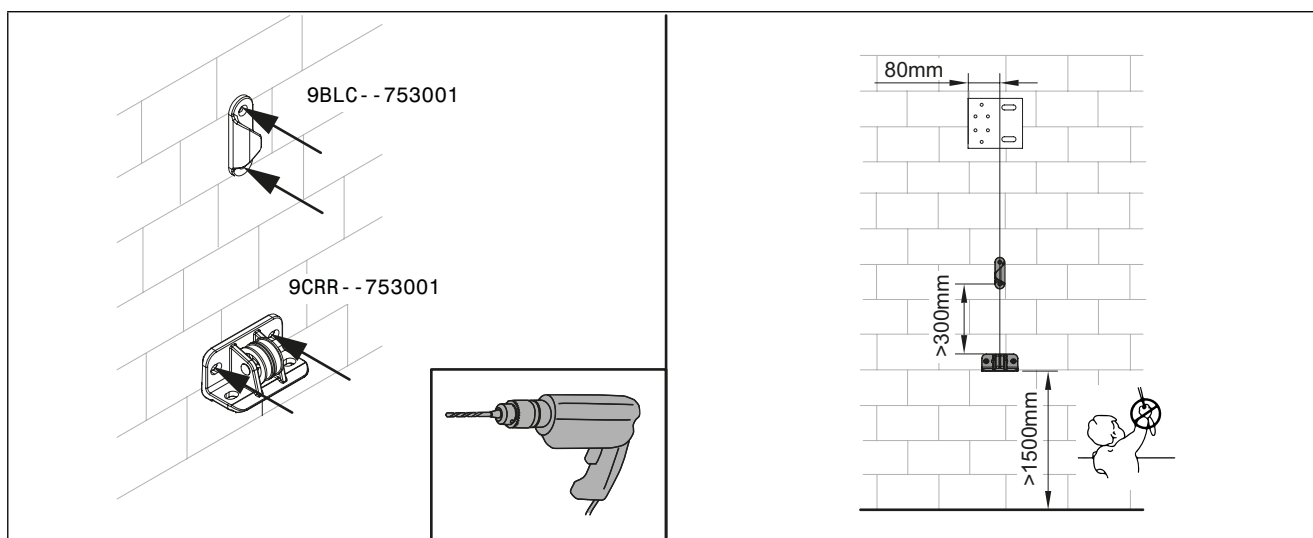


Pic. 30

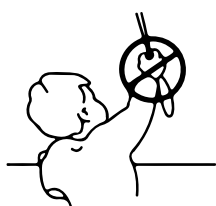
## Installation manual (Translation of the original italian text)



Pic. 31

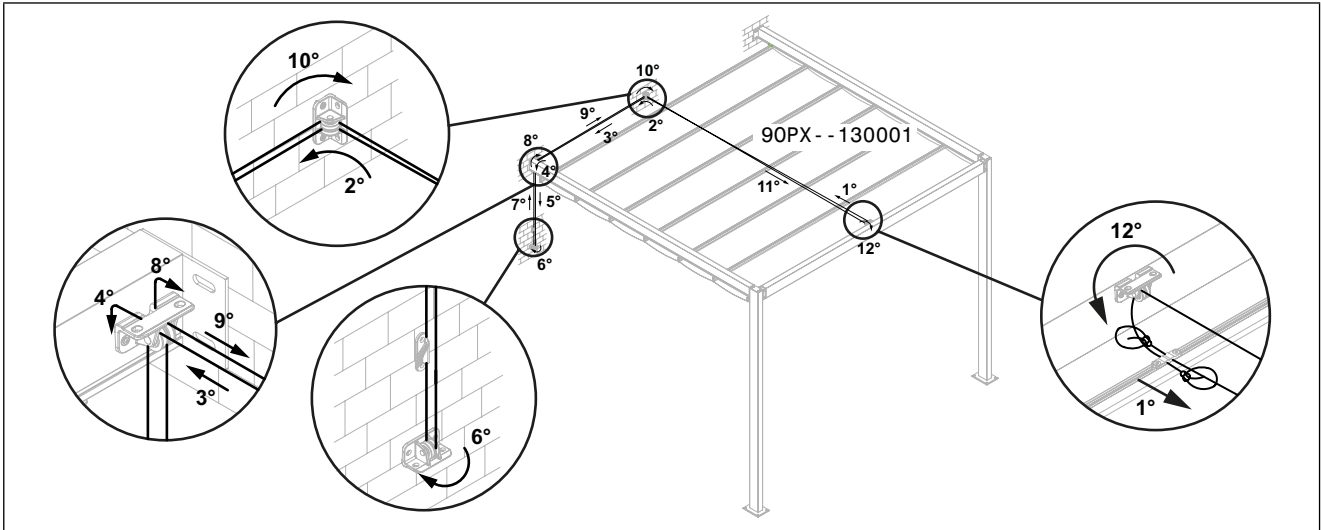


Pic. 32

**WARNING**

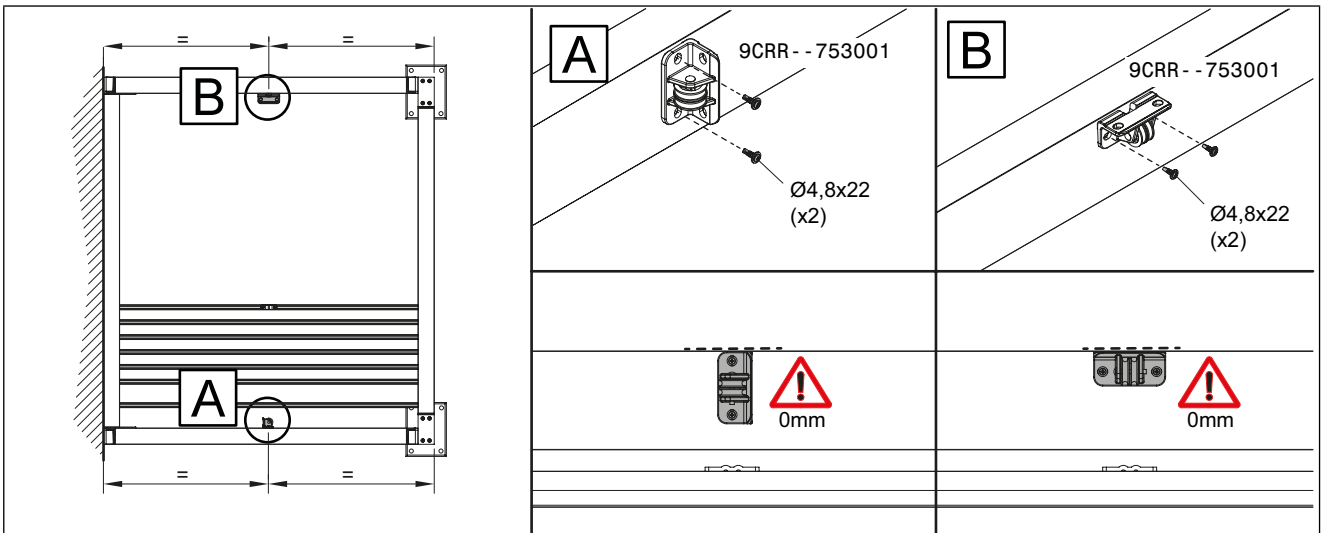
- Children can be strangled by nooses of ropes, chains, command tapes and handling belts that operate the product.
- To avoid strangulation and tangling, keep ropes out of reach of children. Ropes can wrap around children's neck.
- Move beds, strollers and furnitures away from window covers with ropes.
- Do not tight ropes together. Make sure ropes do not twist and make nooses.



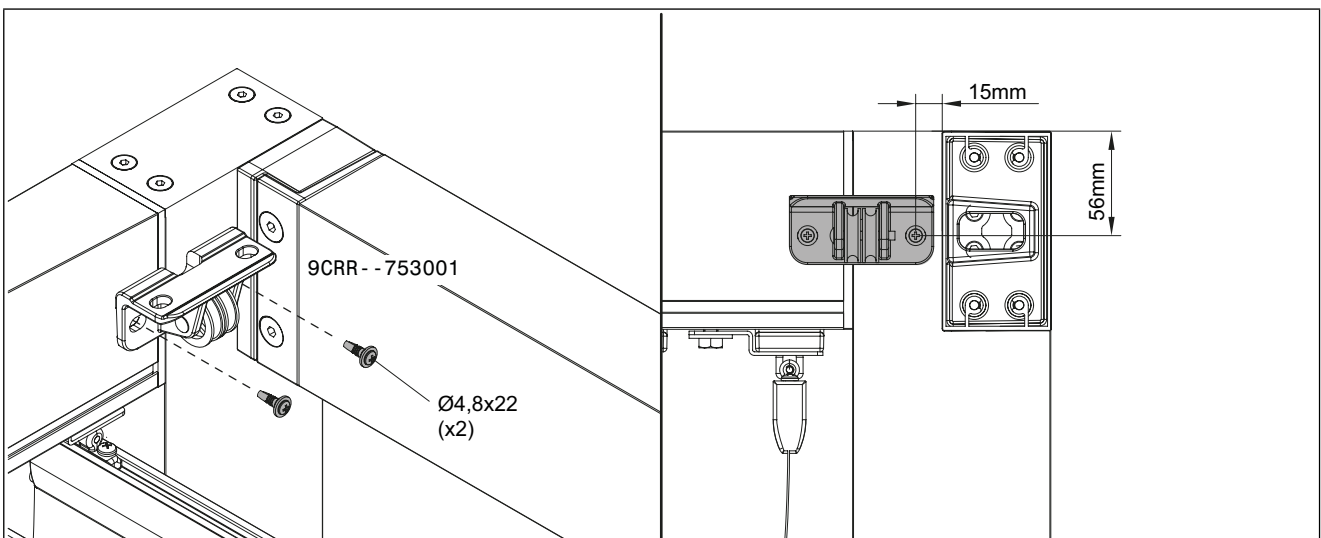


Pic. 33

**7.6.3 Structure with carrying fabric profiles perpendicular to the wall**

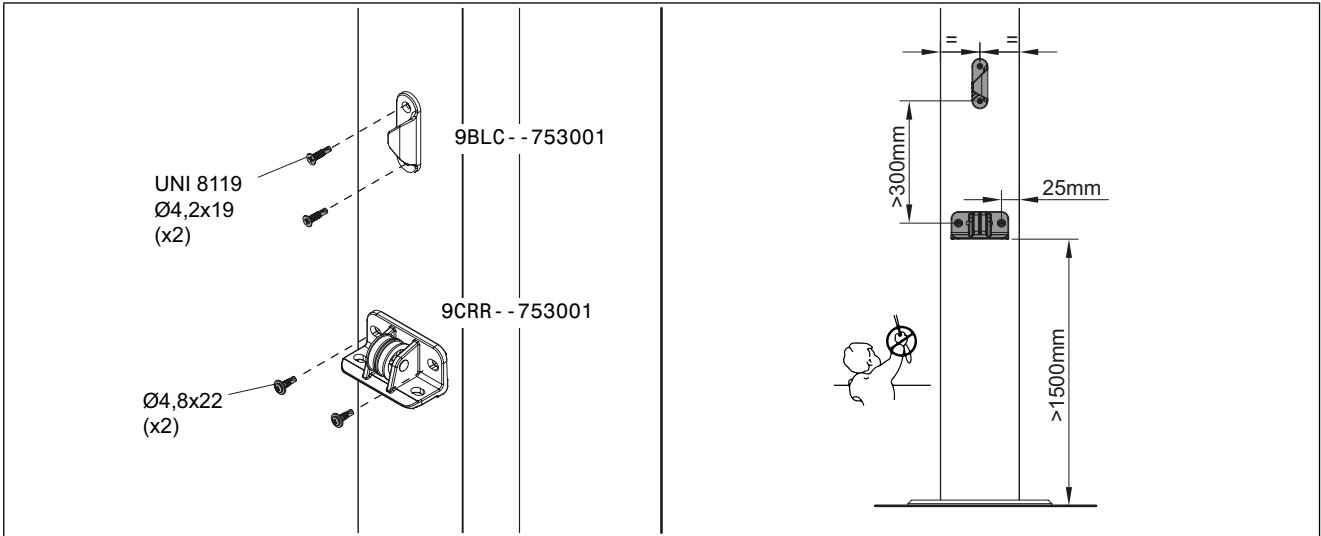


Pic. 34

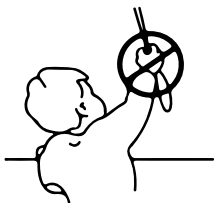


Pic. 35

Installation manual (Translation of the original italian text)

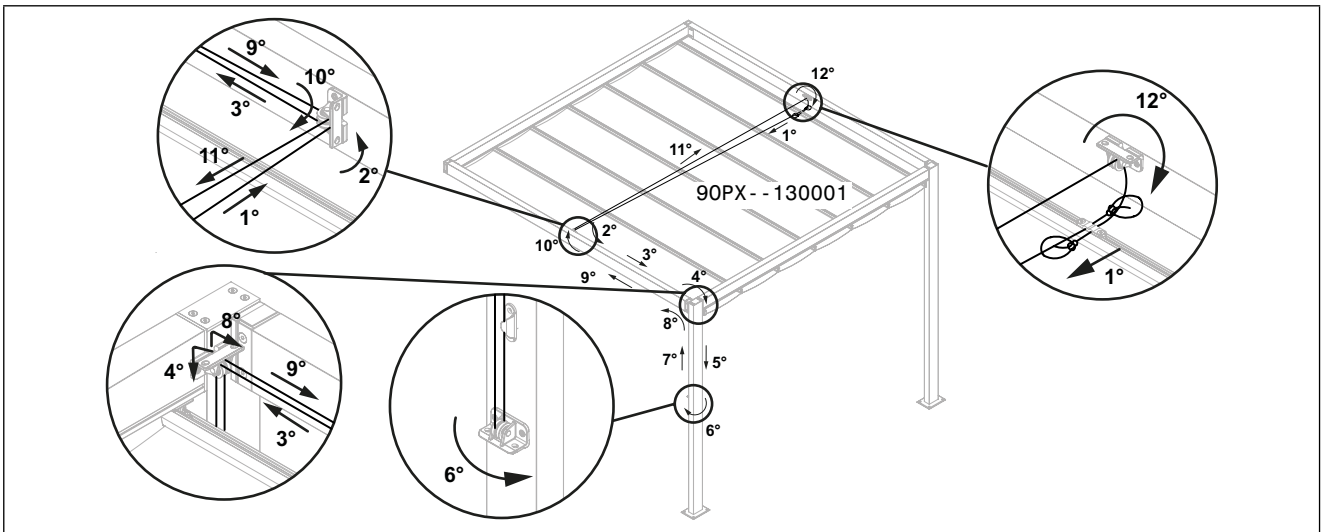


Pic. 36



**WARNING**

- Children can be strangled by nooses of ropes, chains, command tapes and handling belts that operate the product.
- To avoid strangulation and tangling, keep ropes out of reach of children. Ropes can wrap around children's neck.
- Move beds, strollers and furnitures away from window covers with ropes.
- Do not tight ropes together. Make sure ropes do not twist and make nooses.



Pic. 37

## 8 Maintenance

### 8.1 Troubleshooting Table



*All safety requirements must be followed in the event of faults or troubleshooting.*

For faults and errors not listed in the following tables, contact Technical Support.

#### MANUAL AWNING

PROBLEM	CAUSES	SOLUTIONS
The product does not open or close fully	One or more fabric holder carriages jammed	Check the positioning of the carriages
	Struttura fuori squadraStructure out of square	Square the structure
	Locked rope	Check the rope
The product closed/extended jerking, jamed or made a noisy movement	Broken trolley	Replace the trolley
	Impurities/obstructions in moving parts	Clean and lubricate any moving parts